



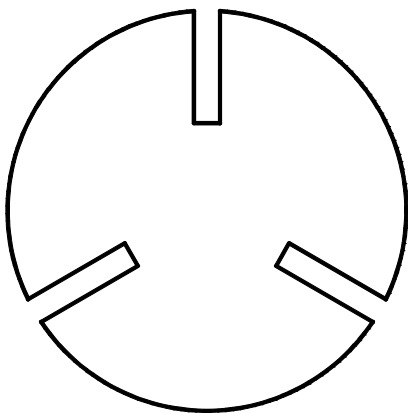
**VACUUM
TECHNOLOGY**



**OPERATING AND MAINTENANCE
INSTRUCTIONS**

(Translation of the original instructions)

**VACUUM PUMPS WITH RECIRCULATING
LUBRICATION SYSTEM**



**LC.2
LC.4
LB.5
LB.6
LB.8
LC.12
LC.20**

INDEX

1	INTRODUCTION	2
1.1	GENERAL INFORMATION	2
1.2	MANUFACTURER INFORMATION	2
1.3	METHOD OF CONSULTATION	2
1.4	PERSONNEL QUALIFICATIONS	2
1.5	PERSONAL PROTECTION EQUIPMENT	2
1.6	INFORMATION PLATE	3
2	SAFETY	3
2.1	GENERAL WARNINGS	3
2.2	RESIDUAL RISKS	3
2.3	PICTOGRAMS	4
3	PUMP DESCRIPTION	5
3.1	INTENDED USE AND CONTRAINDICATIONS	5
3.1.1	INTENDED USE	5
3.1.2	CONTRAINDICATIONS	5
3.2	FKM VERSION	5
3.3	DIMENSIONS AND CHARACTERISTICS	6
3.3.1	Model: LC.2 – LC.4	6
3.3.2	Model: LB.5	7
3.3.3	Model: LB.6 – LB.8	8
3.3.4	Model: LC.12	9
3.3.5	Model: LC.20	10
3.4	NOISE EMISSION	11
4	INSTALLATION	11
4.1	RECEIPT AND CONTENT VERIFICATION	11
4.2	PACKAGING	11
4.3	TRANSPORT AND HANDLING	11
4.4	STORAGE	11
4.5	ENVIRONMENTAL CONDITIONS	12
4.6	PUMP INSTALLATION	12
4.7	USER SYSTEM	12
4.8	CONNECTION	12
4.8.1	INTAKE AND OUTLET CONNECTIONS	12
4.8.2	WIRING	13
5	OPERATING INSTRUCTIONS	14
5.1	OPERATION	14
5.1.1	FILLING THE OIL TANK	14
5.1.2	START-UP	14
5.1.3	STOP	14
5.1.4	PUMPING WATER VAPOUR	14
6	MAINTENANCE	15
6.1	GENERAL WARNINGS	15
6.2	MAINTENANCE TABLE	15
6.2.1	CHECK OIL LEVEL	15
6.2.2	CHANGE OIL	15
6.2.3	CLEAN MOTOR FAN GUARD EAND CLEAN THE PUMP	16
6.2.4	CHANGE THE AIR EXHAUST FILTER	16
6.2.5	CHANGE VANES	16
6.3	SPARE PARTS	16
7	HOW TO RETURN THE PUMP	17
8	DISMANTLING	17
9	TROUBLESHOOTING	18

1 INTRODUCTION

1.1 GENERAL INFORMATION

This manual is meant to provide you with important information for the safety of persons involved in pump use and maintenance.

This manual, originally written in ITALIAN, is an integral part of the pump and must be preserved with care for the life of the pump itself. In the event of sale, lease or loaned use of the pump, it must be delivered to the new user along with EC declaration of conformity.

Carrying out any operations on the pump before reading and fully understanding all instructions in this manual is prohibited.

The images contained in this document are examples only and are not binding for the Manufacturer. The Manufacturer reserves the right to make changes to components, product improvement parts and any other without updating this manual, if said components or parts do not alter pump operation and safety.

1.2 MANUFACTURER INFORMATION

D.V.P. Vacuum Technology s.p.a.

Via Rubizzano, 627

40018 - S. Pietro in Casale (BO) - ITALY

Ph +3905118897101

Fx +3905118897170

e-mail: info@dvpt.it

web site: <http://www.dvpt.it>

Please always include the following information in all communications regarding the pump:

- pump model and serial number
- year of manufacture
- date of purchase
- detail information regarding problems verified

1.3 METHOD OF CONSULTATION

For improved understanding of the information provided in this manual, warnings or instructions considered critical or hazardous are marked with the following symbols:



HAZARD

Failure to comply with these instructions may cause hazards to persons.



WARNING

Failure to comply with these instructions may cause damage to the pump.

1.4 PERSONNEL QUALIFICATIONS

To ensure that all operations performed on the pump are carried out safely, operators must have the qualifications and requirements to carry out its operations.

Operators are classified as follows:



FIRST LEVEL OPERATOR:

Unqualified personnel, having no specific skills, able to perform simple tasks only.



MECHANICAL MAINTENANCE OPERATOR:

Technician qualified to work on mechanical parts to carry out any necessary adjustments, maintenance or repairs. Not qualified to work on electrical systems in the presence of voltage.



ELECTRICAL MAINTENANCE OPERATOR:

Technician in charge of all operations of an electrical nature. Can operate in the presence of voltage inside cabinets and connector boxes.

1.5 PERSONAL PROTECTION EQUIPMENT

This manual assumes that the pump has been installed in workplaces, which comply with all mandatory safety requirements; in particular, it is mandatory that personnel are equipped with personal protective equipment in relation to the activities that must be performed.

1.6 INFORMATION PLATE

All pumps are equipped with an identification plate that contains the manufacturer's name, address, CE marking and technical data of the pump itself.

		D.V.P. Vacuum Technology s.p.a. Made in Italy - www.dvp.it			
TYPE: <input type="text"/>					
<input type="radio"/> S/N: <input type="text"/>		YEAR <input type="text"/>		kg <input type="text"/> <input type="radio"/>	
Hz	m ³ /h	mbar (Abs.)			
		hPa			
<input type="text"/>	<input type="text"/>	<input type="text"/>			



WARNING

Removing or tampering with the identification plate is strictly prohibited.

2 SAFETY

2.1 GENERAL WARNINGS

It is important to read this manual before performing any operation on the pump. Compliance with the safety standards of the country in which the pump is installed and requirements of qualified personnel for various maintenance, use, installation, etc. are recommended throughout the life of the pump.

The main rules of conduct to be observed for operation at a suitable level of security are the following:

- Installation, operation, maintenance, etc. operations should always be performed by qualified, trained personnel.
- Without exception, always wear necessary personal protective equipment.
- Always perform all cleaning, adjustment and maintenance operations with all power equipment cut off.
- Do not direct water jets toward electrical parts, even if they are protected by enclosures.
- Do not smoke during work or maintenance, especially where solvents or flammable materials are being used.
- Do not damage symbol plaques or pictograms on the pump. If they should accidentally become damaged, immediately replace them with other identification plaques.

D.V.P. Vacuum Technology s.p.a. disclaims any liability for damage to persons or property resulting from improper use of the pump, from tampering with its safety apparatus or failure to observe operational safety standards.

2.2 RESIDUAL RISKS

HAZARD



This pump has been designed to minimise residual risks to personnel. We urge you, however, to take the utmost care and attention in carrying out maintenance operations. The confidence gained with frequent contact with the pump too often leads users to forget or underestimate risks.

High temperature hazard

Pump surfaces can exceed a temperature of 70°C. Install the pump in a protected area that is accessible only by authorised personnel and only perform operations when the pump is stopped and cooled.

Hazard generated by low pressure

Avoid contact with pump intake attachment during operation. Introduce air into the suction circuit before any intervention. Contact with low pressure points can cause accidents.

Hazard generated by pressure

The pump tank is pressurised. Do not open and do not leave oil filler or drain plugs open during operation.

Danger from the emission of harmful substances

Pump outlet air contains traces of oil mist. Ensure compatibility with the working environment.

Faults or wearing of seals may cause oil lubricant leaks. Avoid dispersion in soil and pollution of other materials.

Whenever air containing hazardous substances are sucked in (i.e. biological or microbiological agents), use abatement systems placed before the vacuum pump. Used oil must be disposed of according to applicable regulations in the country of pump use.

Electrical hazard

Electrical equipment in the pump includes live parts which, upon contact, can cause serious damage to persons and property. Any kind of intervention on the electrical system must be performed by qualified personnel.

Fire hazard

Use of the pump for any uses not provided for or prohibited by this manual as well as a lack of proper maintenance can cause malfunction with a risk of overheating and fire.

In case of fire, do not use water to extinguish the flames, but use dry chemical or CO₂ or other means compatible with the presence of electrical equipment and lubricants.

Slip and fall hazards

The “L” series vacuum pumps use lubricant to operate. A simple maintenance or improper use not complying with the instructions included in this manual can damage the gaskets and/or seals and cause the lubricant to spill on the floor constituting slip and/or fall hazards for personnel.

Entanglement hazard

There is a permanent impending hazard of entangling or entrapping hair and clothing in the cooler fan inside the guard near the fan casing on the electric motor. Tie long hair up and do not wear baggy clothing, long laces or other items that could get caught up.

Part projection hazard

Install the pump in order to avoid those in charge of works being directly hit by parts or bits of parts flying through the fan cover casing due to the cooling fan breaking.

2.3 PICTOGRAMS

Pictographs with the warning symbols and safety symbols for operators have been applied to the pump. Read carefully and take note of the symbols and their messages before using the pump.

**ELECTRICAL HAZARD**

The pump is near electrical connections (protected) but where accidental contact can cause electric shock and death.

**HOT SURFACE HAZARD**

The pump is close to surfaces with temperatures exceeding 70°C which may lead to burns of medium severity.

**REFER TO INSTRUCTION MANUAL/BOOKLET**

Before use read the instructions in the operating manual.

D.V.P. Vacuum Technology s.p.a. disclaims any liability for damage to persons or property due to non-compliance with instructions indicated in pictograms or their improper preservation.

3 PUMP DESCRIPTION

3.1 INTENDED USE AND CONTRAINDICATIONS

3.1.1 INTENDED USE

The pumps described in this manual are oil recirculating rotary vane pumps. These vacuum pumps have been specifically designed to work with clean air, inert gas or small amounts of water vapour, having a temperature between 12 and 40 °C at the intake.

These pumps are suitable to evacuate small closed vessels or, in case of some models, to work continuously at specific final pressure, as explained in paragraph 3.3 "Dimensions and characteristics".

Any other use is prohibited. The Manufacturer is not liable for any damage to persons and/or property caused by improper use or not allowed use of the pump.

3.1.2 CONTRAINDICATIONS



Any use other than that for which the pump was constructed is to be considered an abnormal condition and therefore can cause damage to the pump and pose a serious danger to the operator.

Below is a series of operations involving improper use of the pump, which are not permitted under any circumstances.

- Do not use the pump in an explosive or aggressive atmosphere or in an atmosphere with a high concentration of dust or oily substances in the air and do not use the pump to pump explosive, flammable or corrosive gases or gas that form particles. Using the pump in these atmospheres and with these types of gases can cause injury, explosion, fire or serious damage to the pump.
- Do not use non-original spare parts or parts not provided by the manufacturer.
- Do not use the unit to pump solid materials, chemicals, powders, solvents or other substances differing from those permitted. These types of materials may damage the unit, degrade its performance or reduce its life.
- do not expose the pump to rain, steam or excessive humidity.
- Do not place or store near in the proximity of flammable or combustible materials or substances.
- Do not use the pump as a compressor.

3.2 FKM VERSION

This version of the pump is equipped with special technical devices, such as FKM seals that allow for use even in the presence of some aggressive gases.

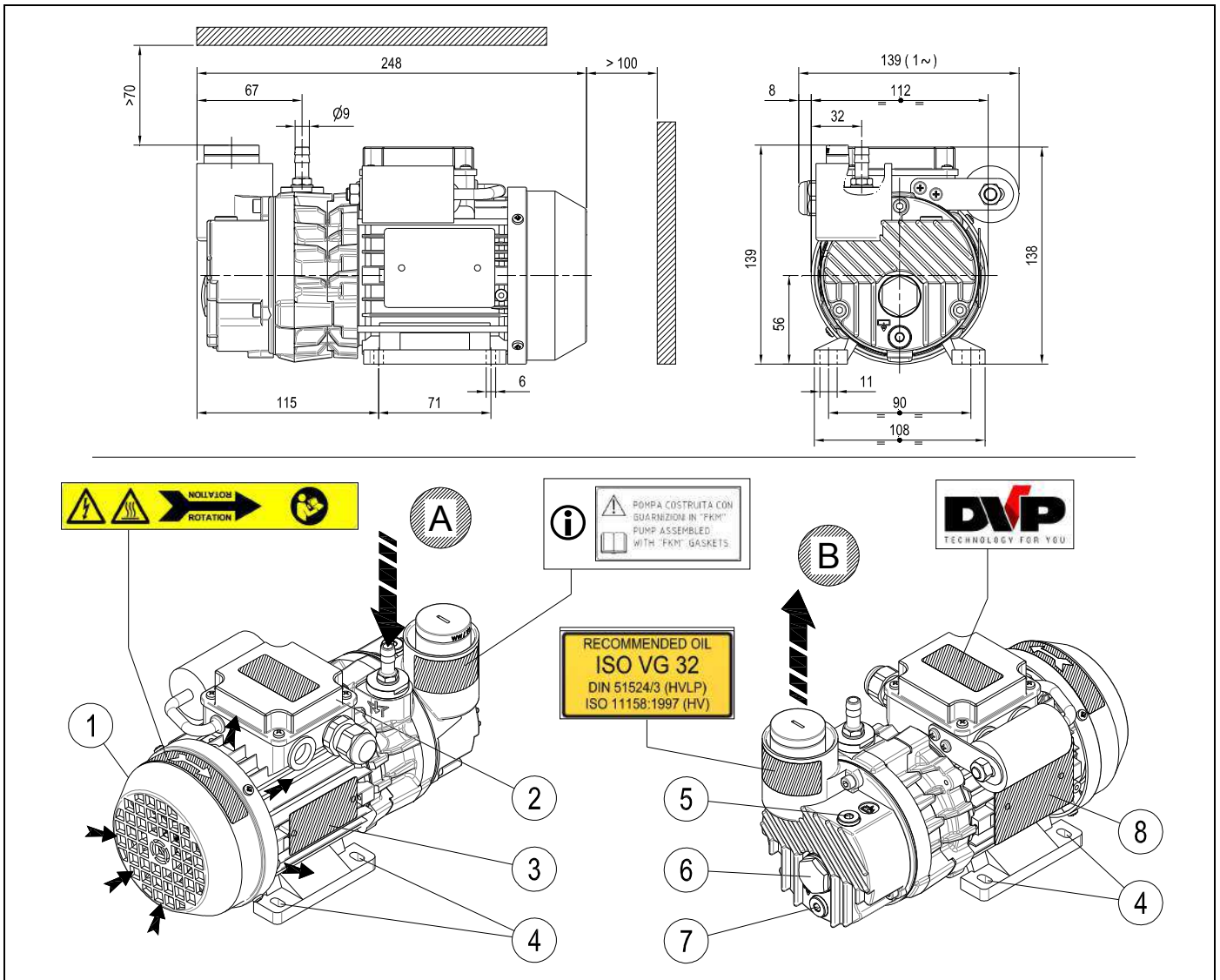


WARNING

Contact the seller to make sure that the pump is suitable for use with a given aggressive gas.

3.3 DIMENSIONS AND CHARACTERISTICS

3.3.1 Model: LC.2 – LC.4



A	Intake
B	Air outlet
1	Motor fan guard
2	Terminal board

3	Information plate
4	Attachment point
5	Oil filler plug
6	Oil sight glass

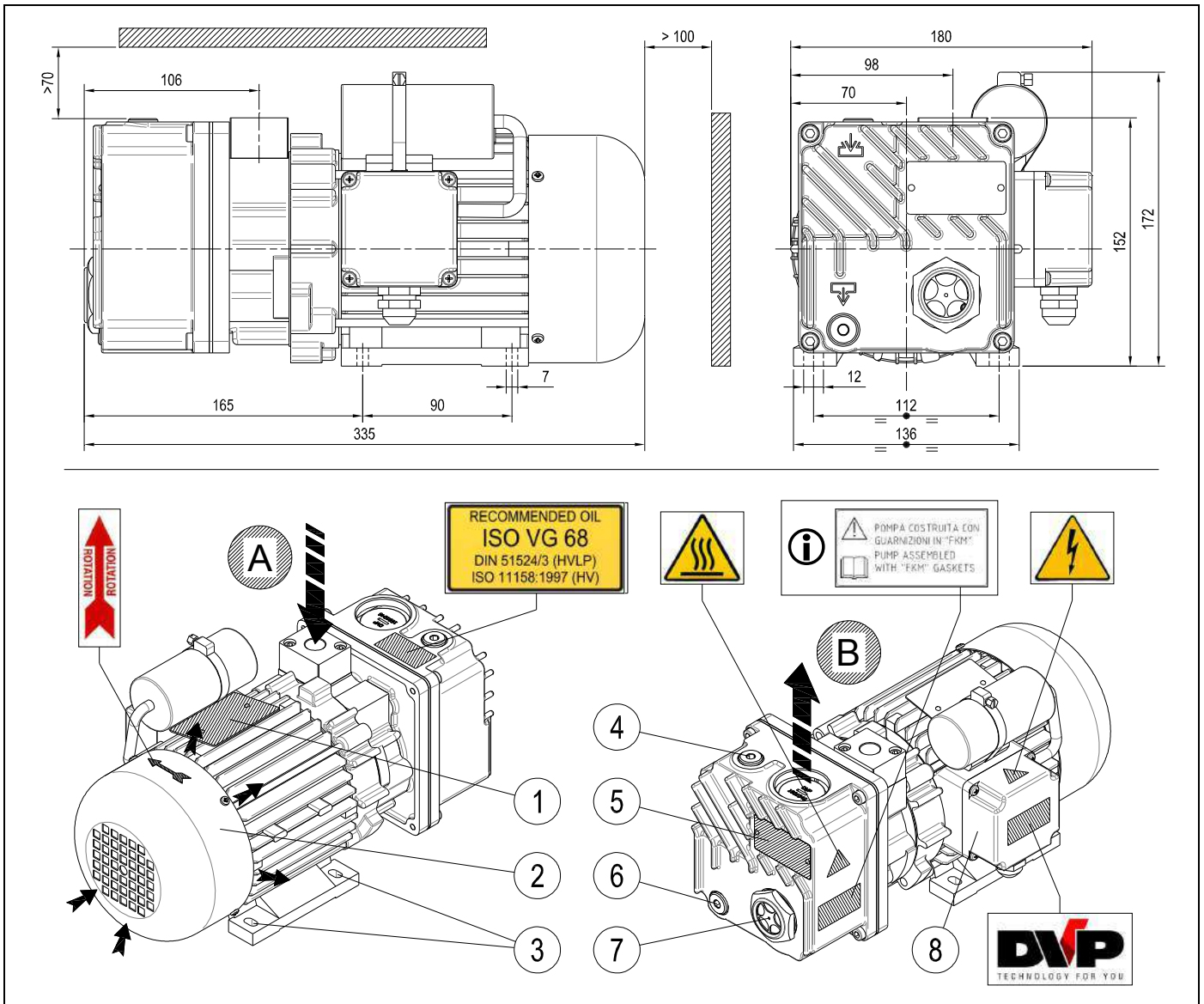
7	Oil drain plug
8	Motor rating plate
ⓘ	Only present on special versions

TECHNICAL SPECIFICATIONS

		LC.2		LC.4	
		50 Hz	60 Hz	50 Hz	60 Hz
Inlet capacity	m ³ /h	2	2,5	4	4,8
Final pressure (Abs.)	mbar - hPa	10		2	
Max inlet pressure for water vapour	mbar - hPa	----			
Max water vapour pumping rate	kg/h	----			
Motor power	kW (1~ / 3~)	0,12 / 0,12	0,15 / 0,15	0,12 / 0,12	0,15 / 0,15
Nominal r.p.m.	n/min	2800	3300	2800	3300
Noise level (UNI EN ISO 2151) (K 3dB)	dB(A)	48	52	48	52
Weight	kg (1~ / 3~)	5,4 / 5,4			
Type of oil	cod. DVP	BV32 (SW40)			
Oil quantity	dm ³	0,065			
Pump Intake / Outlet		Ø9mm (1/8"G) / - - -			
Continuous-duty working range (Abs.)	mbar - hPa	500 ÷ 10		----	
Operating temperature (room temp. 20°C)	°C	50 ÷ 55	55 ÷ 60	50 ÷ 55	55 ÷ 60
Required room temp. for place of installation	°C	12 ÷ 40			
Ambient temperature for storage/transport	°C	-20 ÷ 50			
MAX humidity / altitude		80% / 1000m a.s.l. *			

(*) Please contact the Manufacturer if environmental conditions are different from those prescribed.

3.3.2 Model: LB.5



A	Intake
B	Air outlet
1	Motor rating plate
2	Motor fan guard

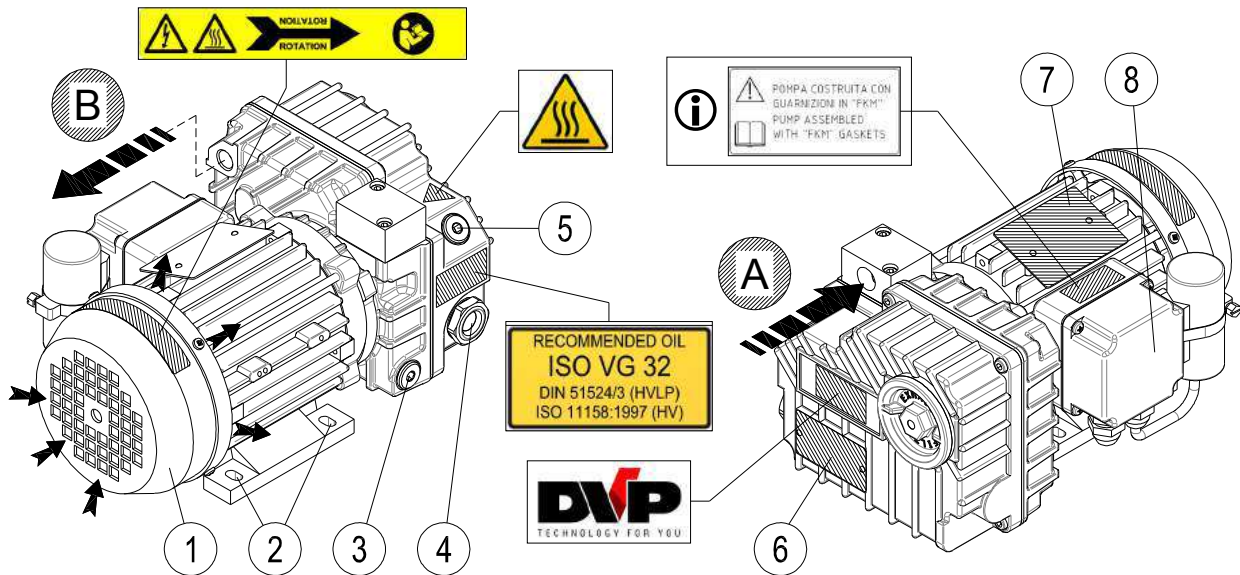
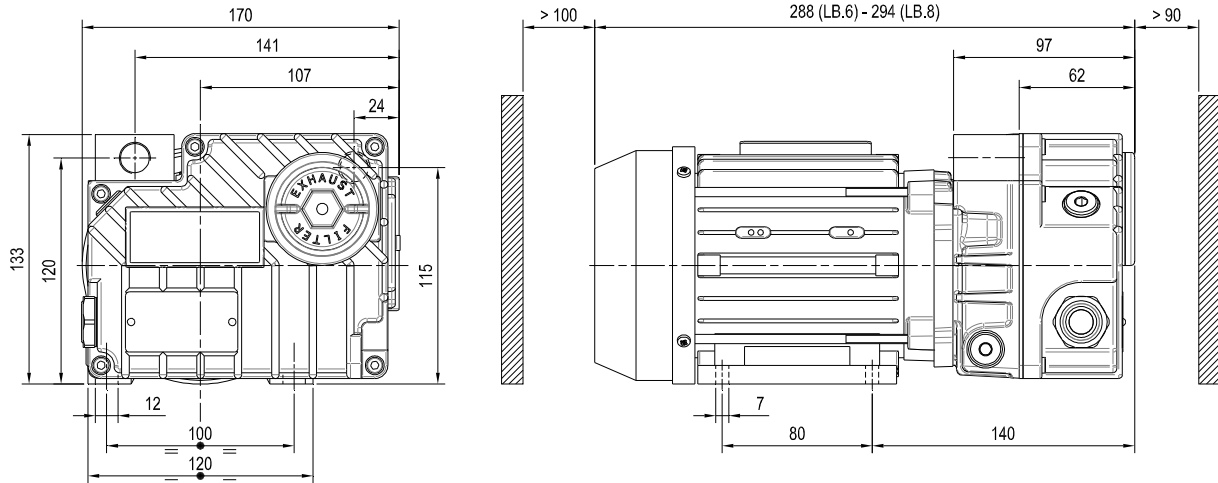
3	Attachment point
4	Oil filler plug
5	Information plate
6	Oil drain plug

7	Oil sight glass
8	Terminal board
i	Only present on special versions

TECHNICAL SPECIFICATIONS

	LB.5	
	50 Hz	60 Hz
Inlet capacity	m ³ /h	
	5	6
Final pressure (Abs.)	mbar - hPa	
	10	
Max inlet pressure for water vapour	mbar - hPa	
	30	
Max water vapour pumping rate	kg/h	
	0,11	
Motor power	kW (1~ / 3~)	
	0,25 / 0,37	0,25 / 0,45
Nominal r.p.m.	n/min	
	1400	1700
Noise level (UNI EN ISO 2151) (K 3dB)	dB(A)	
	58	60
Weight	kg (1~ / 3~)	
	13,0 / 11,5	
Type of oil	cod. DVP	
	BV68 (SW60)	
Oil quantity	dm ³	
	0,20	
Pump Intake / Outlet	"G	
	3/8	
Continuous-duty working range (Abs.)	mbar - hPa	
	400 ÷ 10	
Operating temperature (room temp. 20°C)	°C	
	65 ÷ 70	70 ÷ 75
Required room temp. for place of installation	°C	
	12 ÷ 40	
Ambient temperature for storage/transport	°C	
	-20 ÷ 50	
MAX humidity / altitude		
	80% / 1000m a.s.l. *	

(*) Please contact the Manufacturer if environmental conditions are different from those prescribed.

3.3.3 Model: LB.6 – LB.8


A	Intake
B	Air outlet
1	Motor fan guard
2	Attachment point

3	Oil drain plug
4	Oil sight glass
5	Oil filler plug
6	Information plate

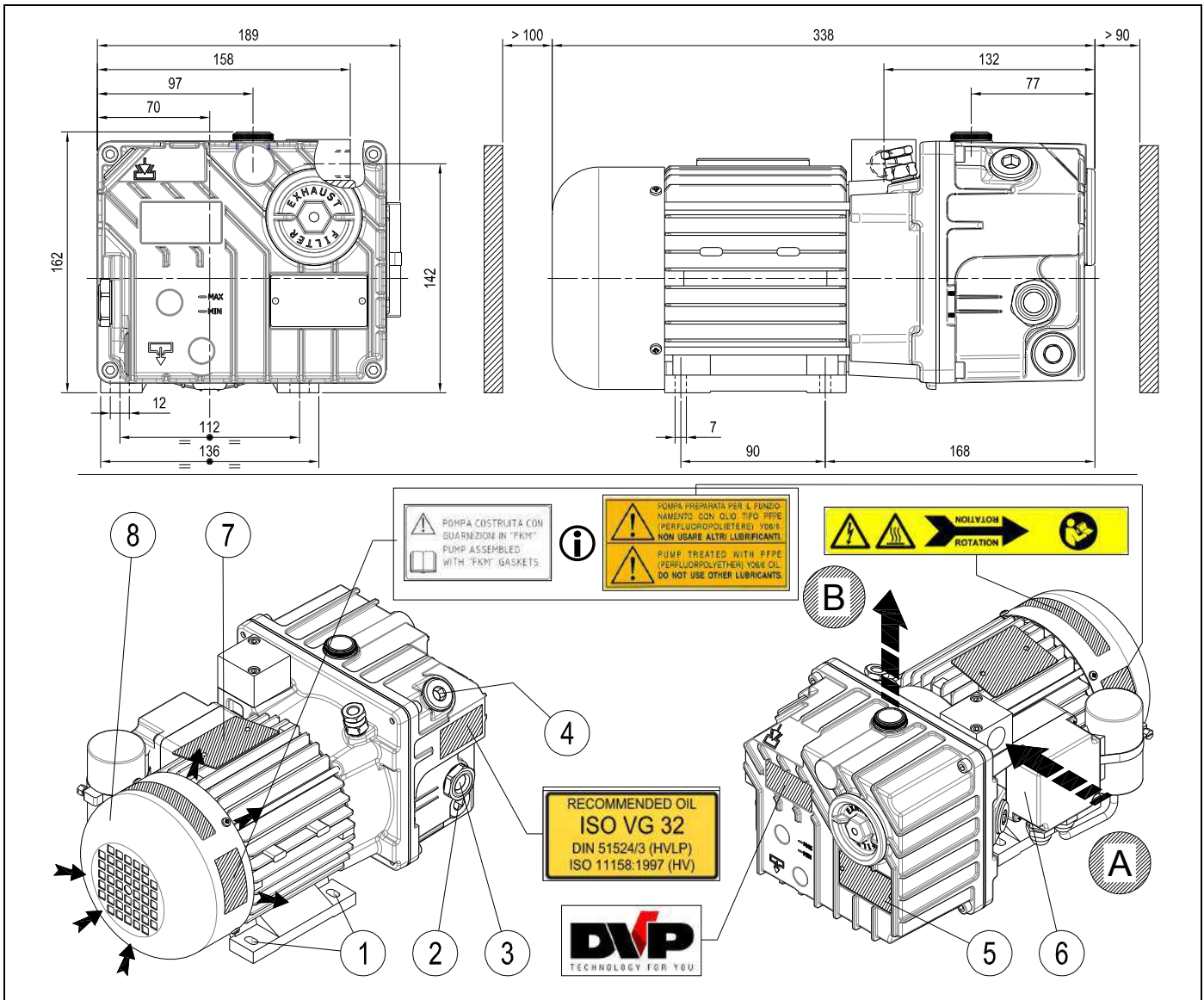
7	Motor rating plate
8	Terminal board
ⓘ	Only present on special versions

TECHNICAL SPECIFICATIONS

		LB.6		LB.8	
		50 Hz	60 Hz	50 Hz	60 Hz
Inlet capacity	m ³ /h	6	7	8	9
Final pressure (Abs.)	mbar - hPa	2			
Max inlet pressure for water vapour	mbar - hPa	----			
Max water vapour pumping rate	kg/h	----			
Motor power	kW (1~ / 3~)	0,25 / 0,25	0,30 / 0,30	0,25 / 0,25	0,30 / 0,30
Nominal r.p.m.	n/min	2800	3300	2800	3300
Noise level (UNI EN ISO 2151) (K 3dB)	dB(A)	58	60	58	60
Weight	kg (1~ / 3~)	10,0 / 9,0			
Type of oil	cod. DVP	BV32 (SW40)			
Oil quantity	dm ³	0,20			
Pump Intake / Outlet	"G	3/8			
Continuous-duty working range (Abs.)	mbar - hPa	----			
Operating temperature (room temp. 20°C)	°C	65 ÷ 70	70 ÷ 75	70 ÷ 75	75 ÷ 80
Required room temp. for place of installation	°C	12 ÷ 40			
Ambient temperature for storage/transport	°C	-20 ÷ 50			
MAX humidity / altitude		80% / 1000m a.s.l. *			

(*) Please contact the Manufacturer if environmental conditions are different from those prescribed.

3.3.4 Model: LC.12



A	Intake
B	Air outlet
1	Attachment point
2	Oil drain plug

3	Oil sight glass
4	Oil filler plug
5	Information plate
6	Terminal board

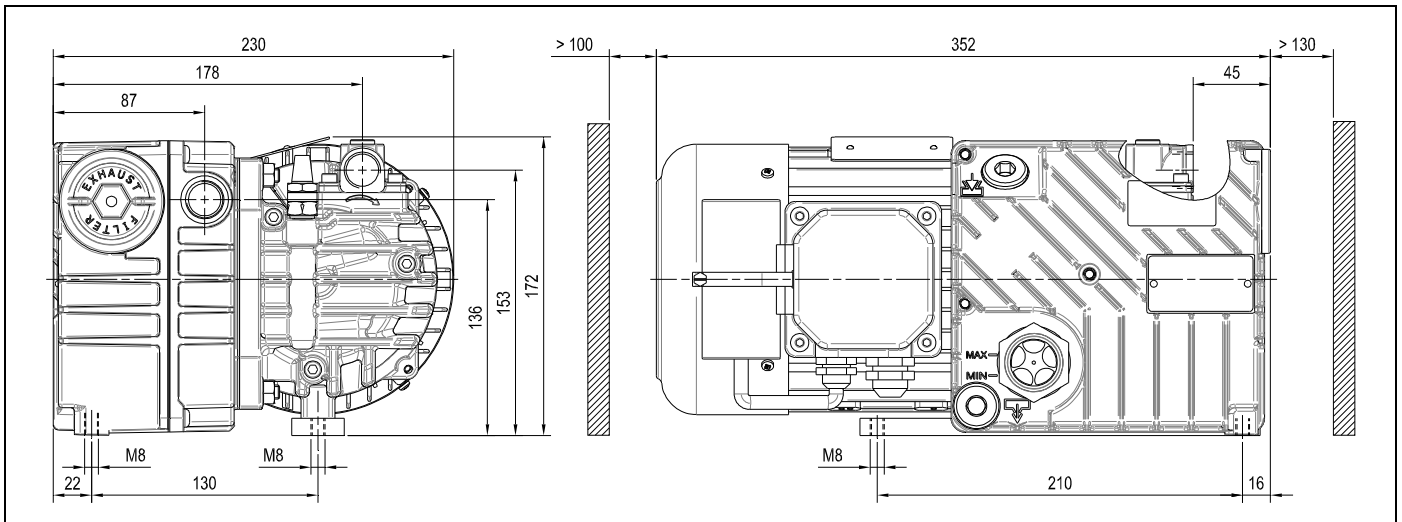
7	Motor rating plate
8	Motor fan guard
i	Only present on special versions

TECHNICAL SPECIFICATIONS

	LC.12	
	50 Hz	60 Hz
Inlet capacity	m ³ /h	
Final pressure (Abs.)	mbar - hPa	
Max inlet pressure for water vapour	mbar - hPa	
Max water vapour pumping rate	kg/h	
Motor power	kW (1~ / 3~)	
Nominal r.p.m.	n/min	
Noise level (UNI EN ISO 2151) (K 3dB)	dB(A)	
Weight	kg (1~ / 3~)	
Type of oil	cod. DVP	
Oil quantity	Min÷Max dm ³	
Pump Intake / Outlet	"G	
Continuous-duty working range (Abs.)	mbar - hPa	
Operating temperature (room temp. 20°C)	°C	
Required room temp. for place of installation	°C	
Ambient temperature for storage/transport	°C	
MAX humidity / altitude	80% / 1000m a.s.l. *	

(*) Please contact the Manufacturer if environmental conditions are different from those prescribed.

3.3.5 Model: LC.20



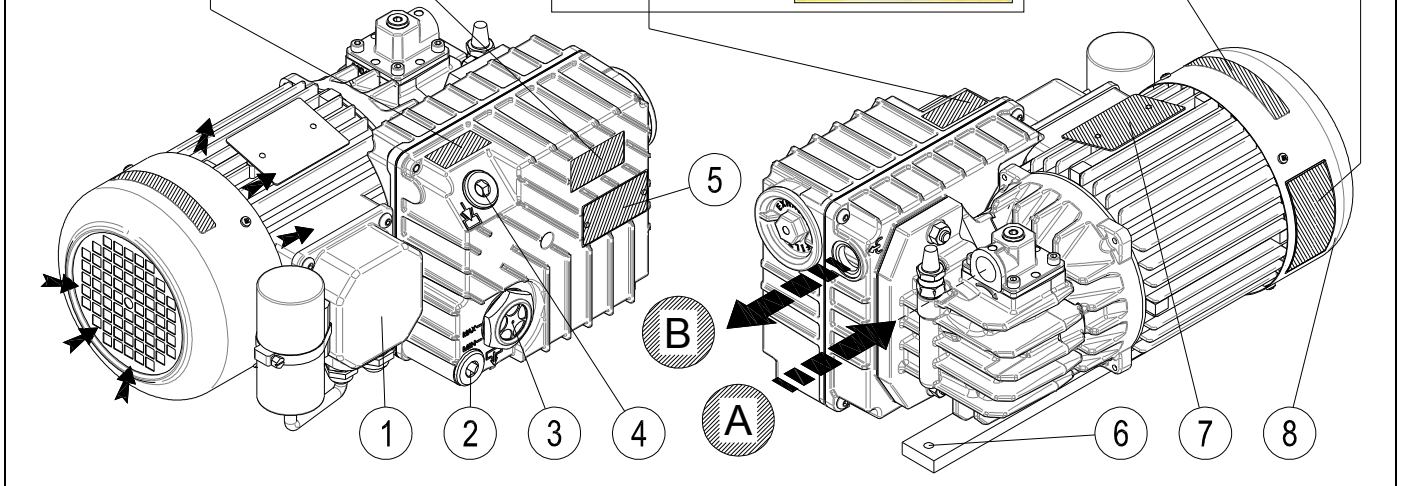
RECOMMENDED OIL
ISO VG 32
 DIN 51524/3 (HVLP)
 ISO 11158:1997 (HV)



⚠️ POMPA COSTRUITA CON GUARNIZIONI IN "FKM"
 PUMP ASSEMBLED WITH "FKM" GASKETS.



⚠️ POMPA PREPARATA PER L'UNICO NOME
 NAMENTO CON OLIO TIPO PPE (PERFLUOROPOLIETILENE) / PPE
 NON USARE ALTRI LUBRIFICANTI!
 PUMP TREATED WITH PPE (PERFLUOROPOLYETHYLENE) OIL.
 DO NOT USE OTHER LUBRICANTS!



A	Intake
B	Air outlet
1	Terminal board
2	Oil drain plug

3	Oil sight glass
4	Oil filler plug
5	Information plate
6	Attachment point

7	Motor rating plate
8	Motor fan guard
ⓘ	Only present on special versions

TECHNICAL SPECIFICATIONS

		LC.20	
		50 Hz	60 Hz
Inlet capacity	m ³ /h	20	24
Final pressure (Abs.)	mbar - hPa	2	
Max inlet pressure for water vapour	mbar - hPa	15	
Max water vapour pumping rate	kg/h	0,25	
Motor power	kW (1~ / 3~)	0,75 / 0,75	0,90 / 0,90
Nominal r.p.m.	n/min	2800	3300
Noise level (UNI EN ISO 2151) (K 3dB)	dB(A)	64	67
Weight	kg (1~ / 3~)	19,0 / 17,0	
Type of oil	cod. DVP	BV32 (SW40)	
Oil quantity	Min+Max dm ³	0,45 ÷ 0,50	
Pump Intake / Outlet	"G"	1/2	
Continuous-duty working range (Abs.)	mbar - hPa	400 ÷ 2	
Operating temperature (room temp. 20°C)	°C	60 ÷ 65	65 ÷ 70
Required room temp. for place of installation	°C	12 ÷ 40	
Ambient temperature for storage/transport	°C	-20 ÷ 50	
MAX humidity / altitude		80% / 1000m a.s.l. *	

(* Please contact the Manufacturer if environmental conditions are different from those prescribed.

3.4 NOISE EMISSION

This pump has been designed and constructed to reduce noise at its source.

The sound pressure levels contained in the table of technical specifications were measured at maximum vacuum and outlet conveyed according to UNI EN 2151.

4 INSTALLATION

4.1 RECEIPT AND CONTENT VERIFICATION

Upon receipt of the pump, verify that the packaging is intact. If everything is intact, unpack the contents and check the pump. If packaging shows signs of damage due to transport or storage conditions, immediately notify the shipping agent and the manufacturer.

It is always necessary to check that the material received corresponds to its accompanying document.

Packages should be opened taking all precautions to avoid harm to people and the contents thereof.

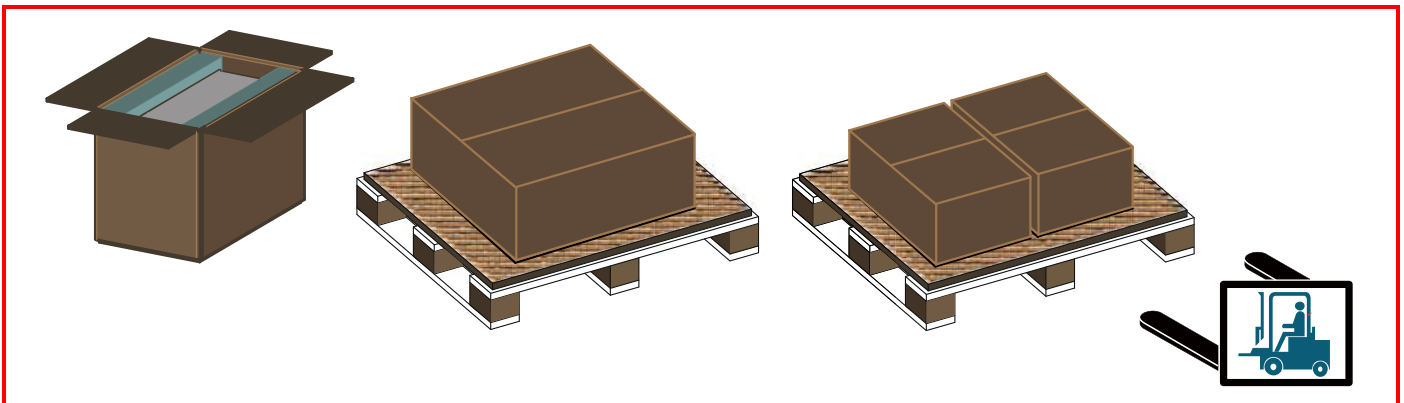
4.2 PACKAGING

Depending on the size and based on the mode of transport, the pump is packaged in the following ways:

- single box with infill material;
- on wooden pallets with cardboard covers;
- in single boxes positioned on pallets with protective film.

The pallet wood can be reused or recycled in accordance with applicable laws in the country of pump installation. Other materials such as cardboard, plastic or protective film must be disposed of in accordance with local regulations.

Do not burn or disperse package components in the environment.



4.3 TRANSPORT AND HANDLING



HAZARD

All transportation, lifting and handling operation must be performed by qualified and experienced personnel.

The pump can be lifted and moved with forklifts or with lifting equipment (ropes, hooks, etc.) that are appropriate to the weight indicated in the table of technical data and on the identification plate. Manual handling and transportation are permitted only in accordance with local regulations.



WARNING

Prepare the pump as detailed in the next chapter and empty the oil tank (see "Changing the oil") for transport.

4.4 STORAGE

Drain the pump of oil inside and close the intake and outlet with the appropriate protections. The pumps are to be stored in their packaging and stored in covered, dry, protected places that are not exposed to bright sunlight, with temperatures in the range indicated in the table of technical specifications.

In case of long periods of stop inside the warehouse or out of production with storage, the location should meet the specifications described in Chapter 3 (Pump description). In order to keep rubber parts and lip seals efficient and properly working, we recommend to operate the pump for at least 30 minutes every 6 months with the intake closed, following the instructions and provisions described in this manual, paying particular attention to those in Chapter 5 (Use instructions). The non-observance of the provisions could cause the rubber parts to degrade leading to oil leakages during operation.

4.5 ENVIRONMENTAL CONDITIONS

The pump must be installed and used in a covered and adequately lit location. The installation area must meet all requirements of height, air circulation and meet the requirements imposed by existing legislation.

Temperature, Humidity and altitude

The corresponding limit values are shown in the table of the technical specifications (chapter 3.3). Please contact the Manufacturer if environmental conditions are different from those prescribed.

Lighting

All areas must be illuminated evenly and sufficiently to ensure all operations included in this manual and must be without shadows, reflections, glare or eyestrain.

4.6 PUMP INSTALLATION

To ensure perfect pump operation, house and place it according to the following conditions:

- Allow sufficient space on the perimeter sides of the pump and make sure to keep the motor ventilation side free.
- Make sure the free space adjacent to the pump allows easy access to components for inspection or maintenance and also allows access for suitable lifting equipment.
- The pump is equipped with mounting points. It is necessary to ensure it locks onto a perfectly horizontal plane in order to avoid tilting in case of transportation by the system user.
- Some models are already equipped with rubber vibration dampers installed at pump attachment points. Whenever the model has not been equipped, ensure installation of such equipment so as not to transmit vibration to the pump.
- Ensure there is ventilation in the room, or inside the machine housing the pump and prevent air coming in from the outlet or cooling fans, which could cause discomfort to personnel.



WARNING

Do not install the pump in any area with dust or other materials that could clog or rapidly cover cooling surfaces.

4.7 USER SYSTEM

Make sure that no harmful substances contaminate the user system during installation.

If you wish the system to maintain vacuum even when pump is stopped, install a cutoff valve between pump and system.

Make sure that no vibrations or stresses are transmitted to the pump connection.

4.8 CONNECTION



HAZARD

Pump connections should be performed by skilled and trained personnel only.

4.8.1 INTAKE AND OUTLET CONNECTIONS

User system connections (both intake and outlet) must be performed with pipes with a diameter equal to or greater than the pump suction inlet. The weight of pipes or any expansions must not burden the pump.

It is advisable to make the final connection to the pump using flexible pipe or fittings. It is important to tighten all pipes and couplings. Very long pipes or pipes with a diameter that is too small diminish pump performance.



HAZARD

Make sure that discharged gases are let out of the workplace.



WARNING

Always install an intake filter, especially if the pump is to work with air that might contain foreign matters.

Pump outlet gases must be treated in such a way that they do not contaminate the working environment and the surrounding atmosphere. If condensable vapours are pumped in, the discharge hose should be routed downwards and have no bends to prevent the condensate produced in the discharge line from building up or flowing back into the pump.

Never use friction hoses with hose diameters smaller than the intake diameter. Avoid exceeding hose lengths, tight bends or bends spaced too closely together.



WARNING

Do not insert outlet fitting pipes or devices that block or impede the disposal of outlet gases (max overpressure exhaust 0.3 bar).

4.8.2 WIRING **WARNING**

Check that network voltage and frequency correspond to values contained on the motor rating plate.

The connection cable must be adequate for the power absorbed by the pump (absorption values are shown on the pump motor rating plate) taking into account the environmental conditions of operation.

**HAZARD**

Always ground the pump.

Always install a security system between the pump and the electric power supply. Pump absorption values are shown on the motor rating plate.

The pump is normally supplied without an electrical cable and switch. For electrical connection, see the diagram contained within the terminal board or on the motor rating plate.

WARNING

Check that the direction of rotation is correct before starting the pump for the first time or after changing the electrical connections.

The correct direction of rotation is indicated by the arrow on the pump (see ch. 3.3). Pump operation with a rotation direction that is opposite to that indicated can severely damage the pump itself.

5 OPERATING INSTRUCTIONS

5.1 OPERATION

Checks to be performed before start-up:

- The pump is supplied without any oil in it. Use the supplied oil or an oil lubricant indicated on the identification plate of this pump (see ch. 3.3) or, alternatively, an alternative lubricant of another brand but with similar characteristics;
- Make sure the pump outlet is not obstructed by fittings.

WARNING



A quantity of oil that exceeds the necessary quantity may cause the clogging of oil separators and damage to the pump or to the electric motor.

Operation without lubricant causes serious damage to the pump.

5.1.1 FILLING THE OIL TANK



WARNING



When filling the oil tank never exceed allowed maximum level.

- Undo the oil filler plug;
- Pour oil in the tank up to mid-range of the oil sight glass;
- Close the filler plug
- Remove all oil spills from the pump and/or floor.

5.1.2 START-UP



HAZARD

The pump may reach high temperatures when operating.

After start-up, the pump may run slower than the regular rpm if room temperature is lower than allowed as seen on the technical data table. It may also run lower if the oil is contaminated or the supply voltage is lower than the required voltage as indicated on the motor rating plate.

If nominal rpm is not reached within a few seconds, the thermal switch fitted to protect the pump must trip (installation required in paragraph "Wiring").

WARNING



If water vapour should be taken in, take the pump to a steady temperature by leaving it to run for approximately 30 minutes with the suction inlet closed and the system containing the water vapour isolated before starting the work cycle.

WARNING



Make sure the pump is working at the allowed pressure value and do not leave the pump running for a long time with the suction inlet completely open.

HAZARD



Full r.p.m. pump operation must be without vibration or unusual noise. If these are present, stop the pump immediately, search for the cause and eliminate it.

5.1.3 STOP

The pump must be stopped by cutting off the power supply.

If the pump is to be powered off, let it run with closed intake for about 30 minutes first.

This will eliminate any moisture inside the intake chamber and avoid rotor oxidation.

In the case of long machine downtime, completely empty the pump to avoid hazards of frost during cold weather or corrosion due to possible chemical alteration of the stagnant liquid in the pump.

5.1.4 PUMPING WATER VAPOUR

While operating in the presence of water vapour, the pump takes in a mixture of air and water which enters the pump and therefore also the oil tank.

The aspirated water vapour is expelled by the heat generated by the pump during operation. On models LB.5, LC.12 and LC.20 there is an integrated regulating ballast which ensures the constant flow of ambient air from the pumping room, allowing the expulsion of aspirated water vapour before it condenses into the lubricating oil.

Therefore, if water vapour is present, it is essential that before the work cycle is started the pump must reach its operating temperature – this is achieved by running it for about 30 minutes with the suction inlet closed and isolating it from the user system.

6 MAINTENANCE

6.1 GENERAL WARNINGS

For good maintenance:

- Immediately verify the causes of any malfunctions (excessive noise, overheating, etc.);
- Pay particular attention to safety devices;
- Make use of all documentation provided by the manufacturer (instruction manuals, wiring diagrams, etc.);
- Use only appropriate tools and original spare parts.

In the event of a failure to understand the information or procedures contained in this chapter, contact D.V.P. Vacuum Technology s.p.a. for clarification before proceeding.

HAZARD



Do not perform any type of operation, modification and/or repair of any kind, except for those listed in this manual.



Only trained or authorised personnel have the necessary expertise to perform tasks with the technique appropriate for intervention.

HAZARD



All maintenance operations must be carried out with the pump disconnected from any power sources. Do not operate the pump until it has reached a temperature that is not dangerous for the operator.

HAZARD



If pump maintenance has been performed in a manner inconsistent with instructions, with non-original spare parts or otherwise so as to impair its integrity or modify its characteristics, D.V.P. Vacuum Technology s.p.a. will be released from any liability relating to the safety of persons and malfunction of the pump.

6.2 MAINTENANCE TABLE

The following table shows all required periodic operations to maintain pump efficiency.

OPERATION TYPE	FREQUENCY	OPERATOR QUALIFICATION
Check the oil level	24 h	
Change oil	500 h	
Clean motor fan guard and clean pump	1000 h	
Change the air exhaust filter	2000 h	
Change vanes	10000 h	

Shorter maintenance intervals may be required according to operating conditions (high temperature of intake gases, intake gases containing condensable vapours, etc.).

6.2.1 CHECK OIL LEVEL

Check that oil level is at mid-range of the oil sight glass. If not, see instructions in the following paragraph.

Check oil conditions. When dark or cloudy, oil has been contaminated by intake substances and must be changed.

6.2.2 CHANGE OIL

Change oil as follows:

- let the pump run with closed suction intake for about 10 minutes first so oil will become thinner;
- stop the pump and disconnect it from the mains;
- undo the oil filler plug;
- get a container large enough to hold all oil and open the oil drain plug;
- drain out all oil;
- close drain plug and fill in fresh oil through the filler plug up to mid-range on the oil sight glass;
- close the oil filler plug;

- connect to mains again and verify correct rotation direction of the pump (see chapt. 3.3.);
- let the pump run with closed intake for a few minutes and then, if necessary, top up oil if necessary.


HAZARD

Wear appropriate personal protection equipment to perform said operations.


HAZARD

Comply with local regulations regarding the collection and disposal of used or polluted oil.

6.2.3 CLEAN MOTOR FAN GUARD EAND CLEAN THE PUMP

Radiator, motor fan guard and the pump should be cleaned to remove any dust deposits.

This can be done using compressed air and a dry cloth.

Do not use fluids or substances other than those indicated.


HAZARD

Wear appropriate personal protection equipment to perform said operations.

6.2.4 CHANGE THE AIR EXHAUST FILTER

The air exhaust filter must be changed when it is damaged or clogged or when it has reached its authorised life as per Chap 6.2.

Only use original DVP filters from the Air Exhaust Filter Kit (see Chap.6.3). Use of parts other than those approved by DVP can cause deterioration of the pump.

The signs showing a filter is clogged or damaged are increased exhaust fumes, increased noise-level and consumption of electricity (see Chap.9 points C and E).

It is possible to measure the level of clogging of the oil separator filter by looking at the ΔP of the filter with the pump warm. On pumps equipped with a measuring point for ΔP it is possible to check the filter by attaching a gauge or the accessory code SIF.2 to it. For pumps without this facility a measuring instrument can be connected in place of the oil filler cap.

For a pump operating and with hot oil the filter is clogged if the value of ΔP is greater than 0.7bar (at sea level). If this is the case the oil separator filter must be replaced.

6.2.5 CHANGE VANES

The instructions for replacing vanes are available upon request.

6.3 SPARE PARTS

Use **Original Spare Parts** to replace pump parts.

When purchasing spare parts, always quote the serial number and model of the pump (these can be found on the identification plate) as well as the spare part purchase number.

DESCRIZIONE	LC.2	LC.4	LB.5	LB.6	LB.8	LC.12	LC.20
Air exhaust filter kit	K9601069	K9601070	K9601062	K9601058	K9601055	K9601064	K9601066
Maintenance kit	K9601069/1	K9601070/1	K9601062/1	K9601058/1	K9601055/1	K9601064/1	K9601066/1
Oil 0,25 dm ³	8811025 (BV32) 8831025 (SW40)		8812025 (BV68) 8832025 (SW60)		8811025 (BV32) 8831025 (SW40)		
Oil 0,5 dm ³	8811050 (BV32) 8831050 (SW40)		8812050 (BV68) 8832050 (SW60)		8811050 (BV32) 8831050 (SW40)		
Oil 1 dm ³	8811100 (BV32) 8831100 (SW40)		8812100 (BV68) 8832100 (SW60)		8811100 (BV32) 8831100 (SW40)		
Oil sight glass	1105005		1105004	1105009		1105004	
Check valve	Fitted						

D.V.P. Vacuum Technology s.p.a. disclaims all responsibility for any deterioration of pump performance or for damages caused due to use of non-original spare parts.

7 HOW TO RETURN THE PUMP

The product may only be returned after prior agreement with the supplier, who will provide the authorisation number that must accompany the material delivered and should be duly complete in its entirety.

8 DISMANTLING

Demolition of the pump must be performed by authorised technicians.

Metal parts can be disposed of as scrap metal.

All materials deriving from demolition must be disposed of according to regulations in the country where the pump will be demolished.



HAZARD

Disposal operations involve risks of cutting, shavings protection, entanglement, contact with moving parts and contact with chemicals. Operators should use the appropriate personal protective equipment.

9 TROUBLESHOOTING

DAMAGE	CAUSE	REMEDY
(A) The pump does not run	No voltage	Provide power supply
	Thermal switch has tripped	Identify reason and activate switch
	Room temperature is too low	Restore room temperature to allowed range
	Motor winding damaged	Contact Service Department
(B) The pump cannot reach stated vacuum	Low oil in tank	Top up oil
	Oil contaminated	Change oil
	Discharge clogged	Check couplings at outlet
(C) Pump is noisy	Air exhaust filter clogged	Change the air exhaust filter
	Bearings damaged	Contact Service Department
	Vanes worn out	Contact Service Department
(D) Pump runs hot	Oil is not the suitable type	Change oil
	Poor room ventilation	Install an auxiliary ventilator
	Motor fan broken	Contact Service Department
	Wrong power supply to motor	Check power supply
	Discharge clogged	Check couplings at outlet
(E) High oil consumption	High working pressure (close to atmospheric pressure)	Check oil level frequently
	Pump runs hot	See point "D"
	Air exhaust filter clogged	Change the air exhaust filter
(F) Pump does not maintain vacuum after power-off	Check valve damage (if fitted)	Contact Service Department
(G) Pump leaks oil	Tank screws or plugs loosened	Tighten screws or plugs
	Tank gaskets damaged	Contact Service Department
	Oil sight glass not tightened	Tighten the oil sight glass

GENERAL CONDITIONS OF SALE

D.V.P. Vacuum Technology s.p.a. supplies products exclusively for professional clientele, hence, excluding consumers.

PRODUCT WARRANTY TERMS AND CONDITIONS

D.V.P. Vacuum Technology s.p.a. guarantees that the product is free from material or manufacturing defects for a period of 24 months of normal use from the shipping date. This period is of 6 months of normal use for products subject to repair not under warranty.

Normal use means an operating cycle of 8 hours per day for a maximum of 5000 operating hours in the 24 months covered by the warranty.

Warranty means the free replacement or repair at its own assistance network of any components of the product that are found to be faulty from the start due to manufacturing defects.

In the event of repair, D.V.P. Vacuum Technology s.p.a. guarantees, exclusively to its own customer, the identical spare parts for 24 months from the shipping date; once this period has passed, the pieces may no longer be available on the market, therefore the repairs, even under warranty, may require the payment of a difference between the product purchased and that installed during the repair. This price will be indicated to the customer before the repair is carried out, for acknowledgement and acceptance.

D.V.P. Vacuum Technology s.p.a. will do everything reasonable within its power to respect the assistance times and *standard* response (20 working days), which may vary according to the distance and accessibility of the place where the product is located and the availability of the components.

D.V.P. Vacuum Technology s.p.a. will not be held responsible for any direct or indirect losses caused by its failure to respect the assistance times and will not have any responsibility or contractual or civil obligation for product faults or for failure to repair the faults in a reasonable period of time.

In the event of irreparable faults, the product will be replaced. The replacement will cause the original warranty to be extended to the new product, until its expiry date.

The warranty does not cover any parts that appear to be faulty due to negligence and/or carelessness during use (failure to observe the equipment operating instructions, lack of maintenance), incorrect installation and/or maintenance, maintenance carried out by unauthorized staff, damage due to transport, or circumstances which, in any case, cannot be attributed to manufacturing faults on the equipment.

The warranty also excludes all components of the product that have been modified or repaired without prior written authorisation from D.V.P. Vacuum Technology s.p.a.

The warranty also excludes any faults deriving from improper use, normal wear, galvanic and electrostatic currents, chemical corrosion, tampering, replacement or elimination of the registration plate.

The warranty does not cover, in any case, faults generated by external causes, such as accidents and fortuitous events.

D.V.P. Vacuum Technology s.p.a. declines all responsibility to anyone for any damage and, consequence, of any kind and/or reason, that may derive from the use of the product, as well as for any faults that it may present.

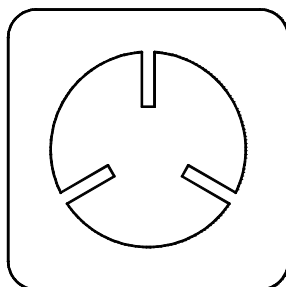
By way of non-limiting example, it declines all responsibility:

- for any damage that could, directly or indirectly, be caused to people, objects and animals, due to failure to observe all the instructions indicated in the relevant use and maintenance manual, especially the indications on the installation, use and maintenance of the equipment;
- for any damage and/or loss caused by faults of deficiencies of products repaired by D.V.P. Vacuum Technology s.p.a.;
- for any indirect or consequential damage such as, by way of non-limiting example, loss of business, profits, salaries, payments etc.;
- losses that could have been avoided by the customer by following the advice and instructions from D.V.P. Vacuum Technology s.p.a..

In any case, the customer waives the right to claim any right and/or demand as well as raising any objection or promoting any action, inherent to the use of the product.

The warranty is not extended to consumable parts, or faults deriving from: filtering cartridges, blades, membranes or sealing rings, as well as third party products that are part of the final product.

The transport, removal and subsequent re-installation costs of the repaired or replaced product are, however, to be entirely borne by the customer.



D.V.P. Vacuum Technology s.p.a.
Via Rubizzano, 627
40018 San Pietro in Casale (BO) – Italy
Ph +3905118897101
Fx +3905118897170
www.dvp.it

Cod. 8702036 – 12/04/2016 – R.7 – (EN)

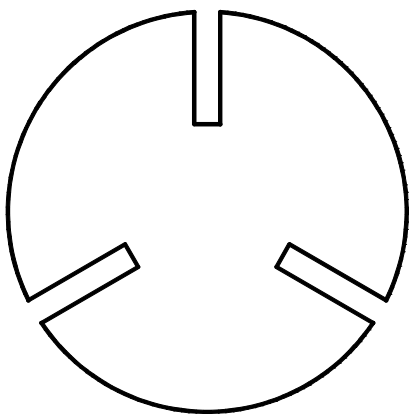


**VACUUM
TECHNOLOGY**



BEDIENUNGS- UND WARTUNGSANLEITUNG
(Übersetzung der Original-Anleitungen)

ÖLUMLAUFGESCHMIERTE VAKUUMPUMPEN



**LC.2
LC.4
LB.5
LB.6
LB.8
LC.12
LC.20**

INHALTSVERZEICHNIS

1	EINLEITUNG	2
1.1	ALLGEMEINE INFORMATIONEN	2
1.2	HERSTELLERDATEN	2
1.3	NACHSCHLAGEHINWEISE	2
1.4	QUALIFIKATION DES PERSONALS	2
1.5	PERSÖNLICHE SCHUTZAUSRÜSTUNGEN	2
1.6	TYPENSCHILD	3
2	SICHERHEIT	3
2.1	ALLGEMEINE HINWEISE	3
2.2	RESTRISIKO	3
2.3	PIKTOGRAMME	4
3	BESCHREIBUNG DER PUMPE	5
3.1	BESTIMMUNGSGEMÄßE VERWENDUNG UND ANWEISUNGEN	5
3.1.1	BESTIMMUNGSGEMÄßE VERWENDUNG	5
3.1.2	ANWEISUNGEN	5
3.2	FKM-AUSFÜHRUNG	5
3.3	ABMESSUNGEN UND MERKMALE	6
3.3.1	Modell: LC.2 – LC.4	6
3.3.2	Modell: LB.5	7
3.3.3	Modell: LB.6 – LB.8	8
3.3.4	Modell: LC.12	9
3.3.5	Modell: LC.20	10
3.4	SCHALLEMISSIONEN	11
4	INSTALLATION	11
4.1	ANNAHME UND INHALTSPRÜFUNG	11
4.2	VERPACKUNG	11
4.3	TRANSPORT UND HANDLING	11
4.4	LAGERUNG	11
4.5	UMGEBUNGSBEDINGUNGEN	12
4.6	INSTALLATION DER PUMPE	12
4.7	BENUTZERSYSTEM	12
4.8	ANSCHLÜSSE	12
4.8.1	ANSCHLUSS DER SAUGSEITE UND DES AUSLASSES	12
4.8.2	ELEKTRISCHER ANSCHLUSS	13
5	GEBRAUCHSANLEITUNG	14
5.1	INBETRIEBNAHME	14
5.1.1	BEFÜLLEN DES ÖLTANKS	14
5.1.2	STARTEN	14
5.1.3	ABSCHALTEN	14
5.1.4	DAS PUMPEN VON WASSERDÄMPFEN	14
6	WARTUNG	15
6.1	ALLGEMEINE HINWEISE	15
6.2	WARTUNGSTABELLE	15
6.2.1	KONTROLLE DES ÖLSTANDS	15
6.2.2	ÖLWECHSEL	15
6.2.3	REINIGUNG DES LÜFTERSCHUTZES UND ALLGEMEINE REINIGUNG	16
6.2.4	AUSTAUSCH DES REINIGUNGSFILTERS	16
6.2.5	AUSTAUSCH DER DREHFLÜGEL	16
6.3	ERSATZTEILE	16
7	RÜCKSENDUNG DES PUMPE	17
8	ENTSORGUNG	17
9	FEHLERSUCHE	18

1 EINLEITUNG

1.1 ALLGEMEINE INFORMATIONEN

Mit dieser Anleitung möchten wir Ihnen sowie allen befugten Personen wichtige Informationen für Ihre Sicherheit zum Gebrauch, als auch zur Wartung der Pumpe liefern.

Die vorliegende Anleitung, im Original auf ITALIENISCH verfasst, stellt einen wesentlichen Bestandteil der Pumpe dar und ist für deren gesamte Lebensdauer sorgfältig aufzubewahren; für den Fall der Veräußerung, Vermietung, Gebrauchsüberlassung der Pumpe ist sie dem neuen Benutzer zusammen mit der EG-Konformitätserklärung zu übergeben. Es ist untersagt, jeglichen Eingriff an der Pumpe vorzunehmen, ohne vorher alle im vorliegenden Handbuch enthaltenen Anleitungen aufmerksam gelesen und verstanden zu haben. Die in diesem Handbuch enthaltenen Abbildungen sind lediglich Beispiele und sind für den Hersteller nicht verbindlich, der sich das Recht vorbehält, zu Verbesserungszwecken oder aus anderen Gründen Änderungen an Bauelementen und Teilen vorzunehmen, ohne dieses Handbuch zu aktualisieren, wenn diese den Betrieb und die Sicherheit der Pumpe nicht verändern.

1.2 HERSTELLERDATEN

D.V.P. Vacuum Technology s.p.a.

Via Rubizzano, 627
40018 - S. Pietro in Casale (BO) - ITALY

Ph +3905118897101
Fx +3905118897170
E-mail: info@dvp.it
Webseite: <http://www.dvp.it>

Für jede Mitteilung hinsichtlich der Pumpe, bitten wir, stets folgende Informationen anzugeben:

- Modell und Seriennummer der Pumpe;
- Baujahr;
- Erwerbsdatum;
- Detaillierte Angaben zu den festgestellten Problemen.

1.3 NACHSCHLAGEHINWEISE

Für ein besseres Verständnis der in diesem Handbuch gelieferten Informationen sind die als kritisch oder gefährlich erachteten Hinweise oder Anleitungen durch folgende Symbole hervorgehoben:



GEFAHR

Für Anweisungen, die unbeachtet werden, Gefahrensituationen für das Personal hervorrufen können.



ACHTUNG

Für Anweisungen, die unbeachtet werden, Schäden an der Pumpe bewirken können.

1.4 QUALIFIKATION DES PERSONALS

Damit alle, die an der Pumpe vorgenommenen Eingriffe unter Sicherheitsbedingungen geschehen ist es erforderlich, dass das befugte Personal über die entsprechende Qualifikation verfügt, um diese auszuführen.

Die Qualifikation des Personal wird wie folgt eingestuft:



BEDIENER DER ERSTEN STUFE:

Nicht qualifiziertes Personal, d. h. ohne spezifische Kenntnisse, in der Lage nur einfache Aufgaben zu übernehmen.



WARTUNGSSCHLOSSER:

Qualifizierter Techniker, in der Lage, Eingriffe an mechanischen Teilen vorzunehmen, um alle erforderlichen Einstellungen, Wartungsarbeiten und Reparaturen auszuführen. Er ist nicht dazu befugt, Eingriffe an elektrischen Anlagen bei Stromspannung vorzunehmen.



WARTUNGSELEKTRIKER:

Qualifizierter Techniker für alle Eingriffe elektrischer Art. Er ist in der Lage, bei Stromspannung in Schaltschränken und Verteilerdosen zu arbeiten.

1.5 PERSÖNLICHE SCHUTZAUSRÜSTUNGEN

Diese Betriebsanleitung geht davon aus, dass die Pumpe in Arbeitsstätten installiert wird, in denen alle zwingenden Sicherheitsvorschriften beachtet werden; insbesondere muss das Personal bei allen auszuführenden Tätigkeiten mit persönlichen Schutzausrüstungen versehen sein.

1.6 TYPENSCHILD

Jede Pumpe ist mit einem Typenschild versehen, auf dem der Namen des Herstellers, die Anschrift, das CE-Kennzeichen und die technischen Angaben aufgeführt sind.

	D.V.P. Vacuum Technology s.p.a. Made in Italy - www.dvp.it								
	TYPE: <input style="width: 100%;" type="text"/>								
<input type="radio"/>	S/N: <input style="width: 100%;" type="text"/>	YEAR <input style="width: 100%;" type="text"/>	kg <input style="width: 100%;" type="text"/> <input type="radio"/>						
<table border="1" style="width: 100%; border-collapse: collapse;"> <tr> <td align="center">Hz</td> <td align="center">m³/h</td> <td align="center">mbar (Abs.) hPa</td> </tr> <tr> <td align="center"><input style="width: 100%;" type="text"/></td> <td align="center"><input style="width: 100%;" type="text"/></td> <td align="center"><input style="width: 100%;" type="text"/></td> </tr> </table>	Hz	m ³ /h	mbar (Abs.) hPa	<input style="width: 100%;" type="text"/>	<input style="width: 100%;" type="text"/>	<input style="width: 100%;" type="text"/>			
Hz	m ³ /h	mbar (Abs.) hPa							
<input style="width: 100%;" type="text"/>	<input style="width: 100%;" type="text"/>	<input style="width: 100%;" type="text"/>							



ACHTUNG

Es ist unbedingt untersagt, das Typenschild zu entfernen oder zu beschädigen.

2 SICHERHEIT

2.1 ALLGEMEINE HINWEISE

Vor Ausführung jeglicher Arbeit an der Pumpe ist es wichtig, diese Anleitung zu lesen. Es wird stets nahegelegt, die Sicherheitsvorschriften des Landes, in dem die Pumpe installiert ist und die Erfordernis des Einsatzes von Fachpersonal bei den unterschiedlichen, während der Lebensdauer der Pumpe erforderlichen Wartungs-, Bedienungs-, Installationsarbeiten zu beachten.

Die Wichtigsten zu beachtenden Verhaltensregeln, um in einem bestem Maß an Sicherheit zu arbeiten, sind folgende:

- Die Installations-, Bedienungs-, Wartungsarbeiten sind stets von qualifiziertem und geschultem Personal auszuführen.
- Es sollten stets und ohne Ausnahme die vorgesehenen persönlichen Schutzausrüstungen getragen werden.
- Sämtliche Reinigungs-, Einstellungs-, Wartungsarbeiten nur ausführen, nachdem sichergestellt ist, dass alle Stromversorgungen getrennt wurden.
- Niemals Wasserstrahlen auf elektrische Teile richten, auch wenn diese durch Gehäuse geschützt sind.
- Niemals während des Betriebs oder der Wartung rauchen, vor allem, wenn Lösungsmittel oder entflammables Material verwendet wird.
- Die auf der Pumpe angebrachten Hinweisschilder oder Piktogramme nicht beschädigen; sollten diese versehentlich beschädigt werden, diese sofort durch andere identische ersetzen.

D.V.P. Vacuum Technology s.p.a. lehnt jegliche Haftung für Sach- oder Personenschäden ab, die von unsachgemäßer Benutzung der Pumpe, der Beschädigung ihrer Sicherheitsvorrichtungen oder der mangelnden Beachtung der Arbeitssicherheitsvorschriften herrühren.

2.2 RESTRISIKO

GEFAHR



Die Pumpe wurde entwickelt, um das Restrisiko für das Personal auf ein Minimum zu reduzieren. Bei der Ausübung der Wartungsarbeiten mahnen wir zur äußersten Vorsicht und Aufmerksamkeit; die Vertrautheit, die sich bei dem häufigen Umgang mit der Pumpe einstellt, verleitet allzu oft dazu, etwaige Gefahren zu vergessen oder zu unterschätzen.

Gefahr hoher Temperaturen

Die Oberfläche der Pumpe kann die Temperatur von 70°C überschreiten; die Pumpe in einem geschützten Bereich installieren, der nur für befugtes Personal zugänglich ist und jeglichen Eingriff nur bei abgeschalteter und abgekühlter Pumpe vornehmen.

Durch Unterdruck erzeugte Gefahr

Während des Betriebs der Pumpe die Berührung des Ansaugstutzens vermeiden. Vor jeglichem Eingriff, Luft in den Ansaugkreislauf einführen. Die Berührung von Stellen mit Unterdruck kann eine Unfallursache darstellen.

Durch Druck erzeugte Gefahr

Der Tank der Pumpe steht unter Druck; die Einlass- und Ablassverschlüsse des Öls während des Betriebs nicht öffnen oder geöffnet lassen.

Gefahr durch Austritt von Schadstoffen

Die Austrittsluft der Pumpe enthält Spuren von Öldampf; die Verträglichkeit mit der Arbeitsumgebung ist zu überprüfen.

Eine Störung oder der Verschleiß der Dichtungen können Schmierölverluste verursachen; die Ausscheidung auf Böden und die Verunreinigung anderer Materialien vermeiden.

Sollte Luft angesaugt werden, die gefährliche Stoffe enthält (z.B. biologische oder mikrobiologische Wirkstoffe), vor der Vakuumpumpe gelegene Filtersysteme verwenden. Die Altölsorgung der Pumpe richtet sich nach den jeweiligen geltenden Vorschriften des Landes.

Stromschlaggefahr

In der elektrischen Ausstattung der Pumpe gibt es Teile die unter Spannung stehen, die bei Berührung schwere Personen- und Sachschäden hervorrufen können. Jeder Eingriff an der elektrischen Anlage darf ausschließlich seitens des Fachpersonals ausgeführt werden.

Brandgefahr

Die Verwendung der Pumpe für einen von dieser Anleitung nicht vorgesehenen oder verbotenen Gebrauch oder der Mangel einer korrekten Wartung können Betriebsstörungen mit der Gefahr der Überhitzung und des Brandes hervorrufen.

Im Fall eines Feuers kein Wasser zum Löschen der Flammen verwenden; Pulver- oder CO₂- Feuerlöscher oder andere verträgliche Mittel, in Verbindung mit elektrischer Ausrüstung und unter Verwendung von Schmierölen benutzen.

Gefahr des Rutschens und/oder Fallens

Für den Betrieb der Vakuumpumpen Serie „L“ wird Schmieröl verwendet. Die einfache Wartung oder ein nicht mit den Angaben in dieser Anleitung übereinstimmender Gebrauch kann Beschädigungen der Dichtungen und das folgende Tröpfeln von Schmieröl auf den Boden verursachen, das das Rutschen oder Fallen des Personals hervorrufen kann.

Gefahr des Verfangens

In der Nähe des Gehäusesdeckels des Elektromotors besteht die Gefahr, dass sich Haare oder Kleidungsstücke im Kühlgebläse verfangen, das sich in der Schutzabdeckung selbst befindet. Lange Haare zusammenbinden und nie weite Kleidungsstücke, lange Schnürsenkel oder andere Gegenstände tragen, die sich verfangen könnten.

Gefahr durch Ausstoß von Bestandteilen

Die Pumpe sollte so installiert werden, dass das zur Arbeit befugte Personal nicht direkt von Bestandteilen oder deren Teilchen, die durch den Gehäusedeckel im Falle eines Bruchs des Kühlgebläses ausgestoßen werden, getroffen werden kann.

2.3 PIKTOGRAMME

Auf der Pumpe sind Piktogramme mit Warn- und Sicherheits-Symbolen für die Benutzer angebracht. Vor Gebrauch der Pumpe die Symbole und deren Bedeutung mit Sorgfalt lesen und zu beachten.

**STROMSCHLAGGEFAHR**

Man befindet sich in der Nähe von elektrischen (geschützten) Anschlüssen, deren versehentliche Berührung jedoch Stromschlag und Tod verursachen kann.

**GEFAHR HEISSER OBERFLÄCHEN**

Man befindet sich in der Nähe von Oberflächen mit einer Temperatur von mehr als 70°C, die zu Verbrennungen mittleren Grades führen können.

**LESEN SIE DIE BEDIENUNGSANLEITUNG/BROSCHÜRE**

Bevor Sie irgendetwas an der Pumpe vornehmen, lesen Sie aufmerksam die Betriebs- und Wartungsanleitung.

D.V.P. Vacuum Technology s.p.a. lehnt jegliche Haftung für Personen- oder Sachschäden ab, die aufgrund der mangelnden Beachtung auf den Piktogrammen hingewiesenen Vorschriften oder deren nicht perfektem Zustand erfolgen.

3 BESCHREIBUNG DER PUMPE

3.1 BESTIMMUNGSGEMÄßE VERWENDUNG UND ANWEISUNGEN

3.1.1 BESTIMMUNGSGEMÄßE VERWENDUNG

Die in dieser Anleitung beschriebenen Pumpen sind Drehflügelpumpen mit Ölumlaufschmierung. Diese Vakuumpumpen wurden speziell für den Betrieb mit sauberer Luft und Edelgas oder kleinen Mengen von Wasserdämpfen entwickelt, deren Temperatur an der Ansaugöffnung der Pumpe zwischen 12° und 40° liegen muss. Diese Pumpenserie dient zur Evakuierung von kleinen geschlossenen Behältern oder einige Modelle arbeiten kontinuierlich im Druckbereich, wie in Paragraph 3.3 "Dimensionen und Charakteristiken" beschrieben.

Jeder andere Gebrauch ist untersagt. Der Hersteller haftet für keinerlei Personen- bzw. Sachschaden, der durch unsachgemäßen oder unzulässige Verwendung der Pumpe verursacht wird.

3.1.2 ANWEISUNGEN



Jeder andere Gebrauch, als der, der für die Pumpe entwickelt wurde, wird als unsachgemäß betrachtet und kann daher Schaden an der Pumpe selbst anrichten und eine ernsthafte Gefahr für den Anwender darstellen.

Nachfolgend sind eine Reihe von Bedingungen aufgeführt, die die unsachgemäße Verwendung der Pumpe betreffen, die auf keinen Fall gestattet sind.

- Die Pumpe nicht in explosiver, aggressiver oder Atmosphäre mit hoher Konzentration von Staub oder von in der Luft schwebenden ölhaltigen Stoffen betreiben und diese auf keinen Fall benutzen, um explosive, entzündbare, ätzende oder Partikel bildende Gase zu pumpen. Der Gebrauch der Pumpe in diesen Atmosphären und mit diesen Gas Arten kann Verletzungen, Explosionen, Brände oder schwerwiegende Störungen an der Pumpe verursachen;
- Nur Originale und vom Hersteller vorgesehene Ersatzteile verwenden;
- Das Gerät nicht verwenden, um festes Material, chemische Substanzen, Staub, Lösungsmittel oder andere, als die zugelassenen Substanzen zu pumpen. Diese Art Material kann die Pumpe beschädigen, deren Leistung herabsetzen oder deren Nutzdauer vermindern;
- Die Pumpe nicht Regen, Dampf oder übermäßiger Feuchtigkeit aussetzen;
- Nicht auf oder in der Nähe von entzündbaren oder brennbaren Materialien oder Stoffen abstellen oder einlagern;
- Die Pumpe nicht als Kompressor verwenden.

3.2 FKM-AUSFÜHRUNG

Die in dieser Ausführung gebaute Pumpe ist mit besonderen technischen Merkmalen, wie Dichtungen aus FKM versehen, die deren Einsatz auch bei Vorliegen von einigen aggressiven Gasen ermöglichen.

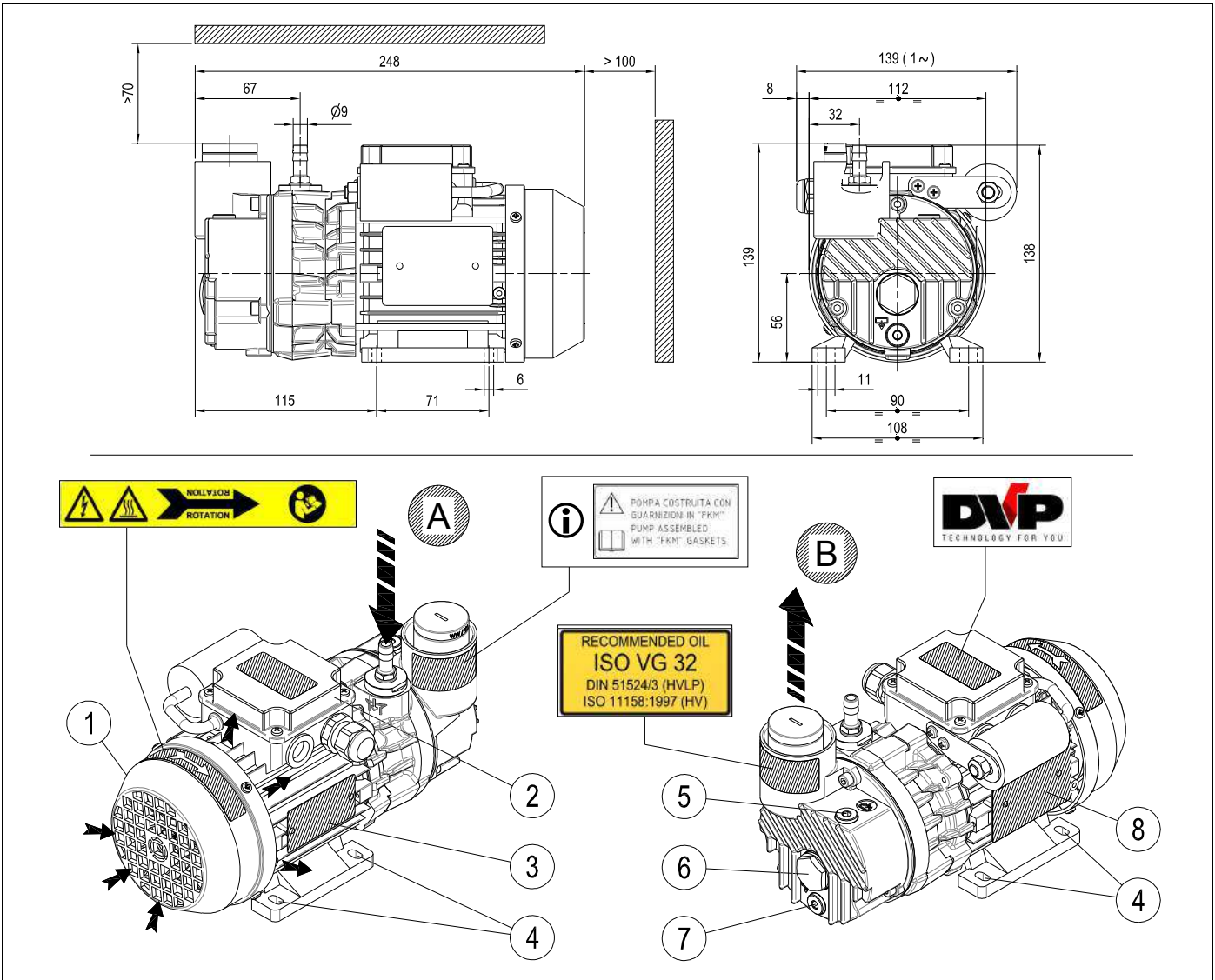


ACHTUNG

Mit dem Hersteller Kontakt aufnehmen, um sich zu vergewissern, dass das entsprechende aggressive Gas unter die Gase fällt, mit denen die Pumpe arbeiten kann.

3.3 ABMESSUNGEN UND MERKMALE

3.3.1 Modell: LC.2 – LC.4



A	Ansaugung
B	Luftaustritt
1	Motorlüfterschutz
2	Klemmenkasten

3	Typenschild
4	Befestigungspunkt
5	Ölfüll Verschluss
6	Ölstandssichtfenster

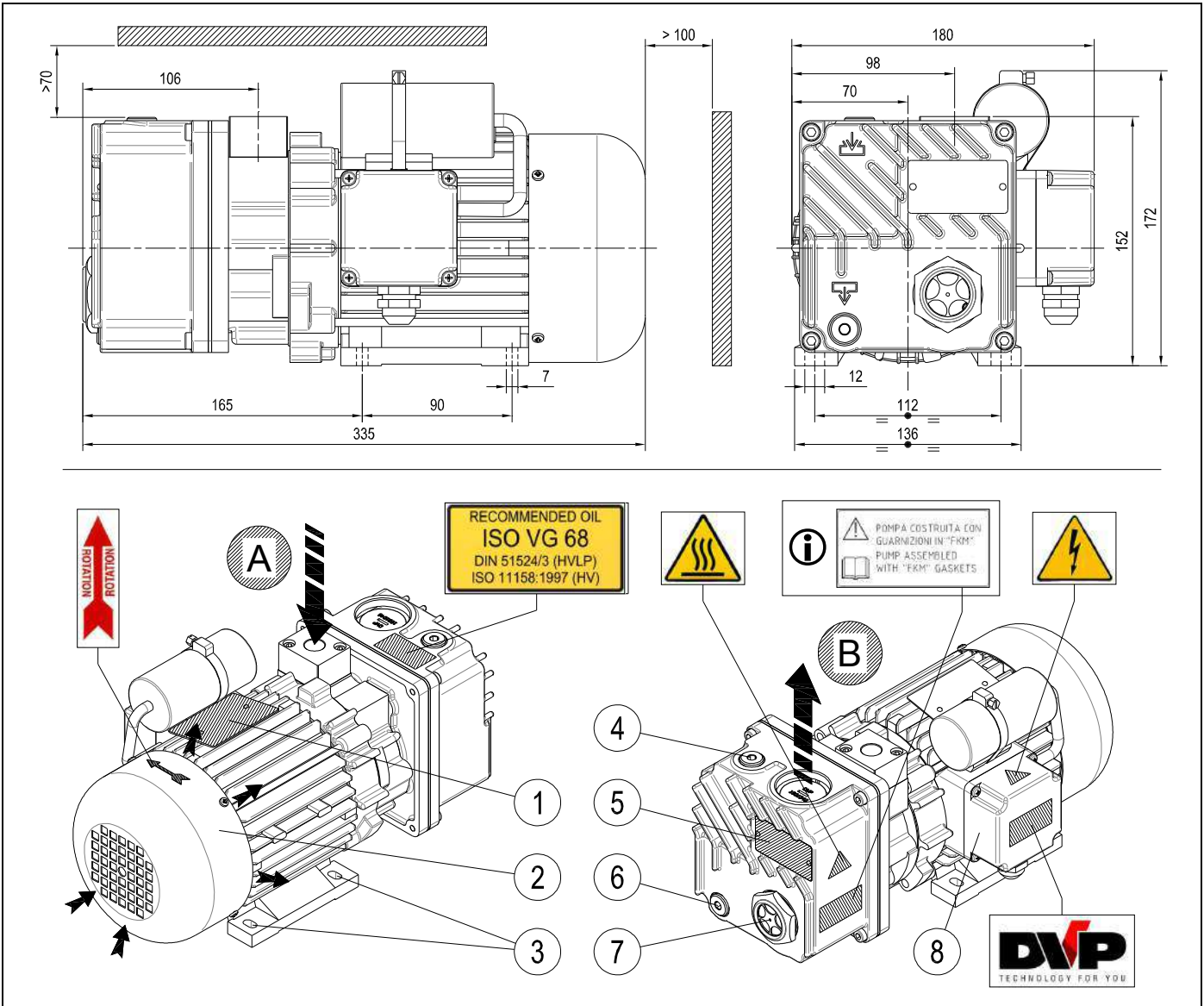
7	Ölblech-Verschluss
8	Motorschild
i	Nur bei Spezial-Ausführungen vorliegend

TECHNISCHE MARKMALE

		LC.2		LC.4	
		50 Hz	60 Hz	50 Hz	60 Hz
Saugleistung	m ³ /h	2	2,5	4	4,8
Enddruck (abs.)	mbar - hPa	10		2	
Max. Eintrittsdruck für Wasserdampf	mbar - hPa	----			
Max. Wasserdampfverträglichkeit	kg/h	----			
Motorleistung	kW (1~ / 3~)	0,12 / 0,12	0,15 / 0,15	0,12 / 0,12	0,15 / 0,15
U/min	n/min	2800	3300	2800	3300
Schalldruckpegel (UNI EN ISO 2151) (K 3dB)	dB(A)	48	52	48	52
Gewicht	kg (1~ / 3~)	5,4 / 5,4			
Öltyp	cod. DVP	BV32 (SW40)			
Ölmenge	dm ³	0,065			
Ansaugungs-/Abzugspumpe		Ø9mm (1/8" G) / - - -			
Dauer-Arbeitsbereich (abs.)	mbar - hPa	500 ÷ 10		----	
Betriebstemperatur (Raumtemperatur 20°C)	°C	50 ÷ 55	55 ÷ 60	50 ÷ 55	55 ÷ 60
Erforderliche Arbeitsraumtemperatur	°C	12 ÷ 40			
Lager- bzw. Transporttemperatur	°C	-20 ÷ 50			
MAX. Feuchtigkeit/ Höhe		80% / 1000 m ü.d.M. *			

(*) Im Falle vom Umweltbedingungen, die von den beschriebenen abweichen, bitte den Hersteller kontaktieren.

3.3.2 Modell: LB.5



A	Ansaugung
B	Luftaustritt
1	Motorschild
2	Motorlüfterschutz

3	Befestigungspunkt
4	Ölfüll Verschluss
5	Typenschild
6	Ölblass-Verschluss

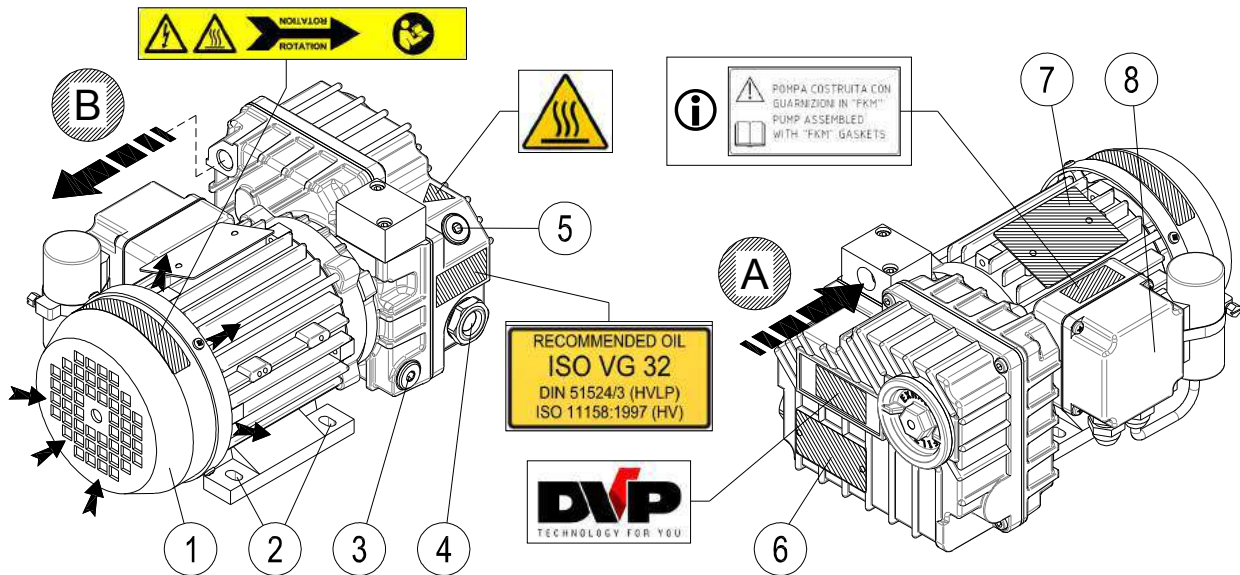
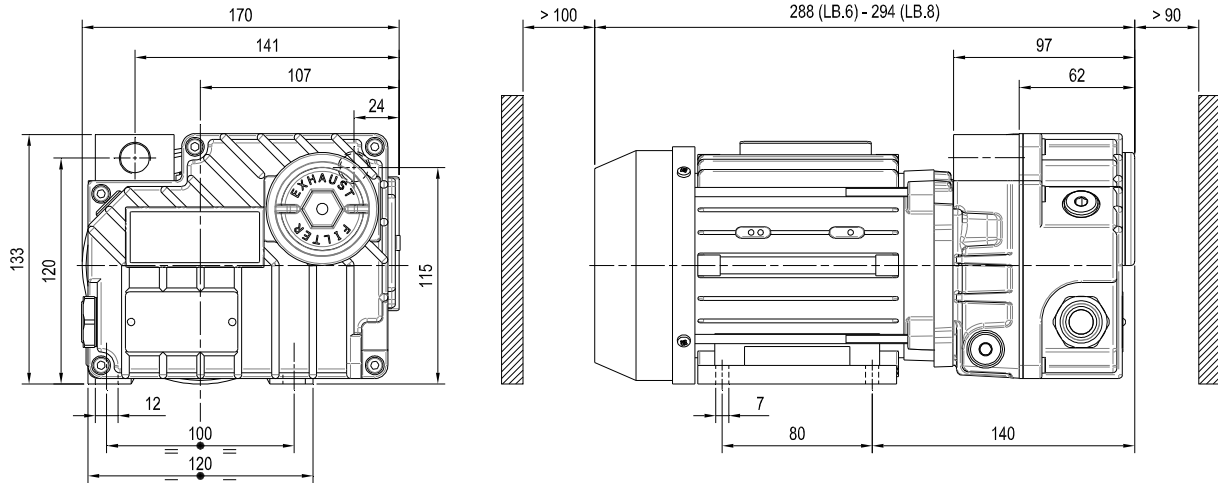
7	Ölstandssichtfenster
8	Klemmenkasten
i	Nur bei Spezial-Ausführungen vorliegend

TECHNISCHE MARKMALE

		LB.5	
		50 Hz	60 Hz
Saugleistung	m ³ /h	5	6
Enddruck (abs.)	mbar - hPa	10	
Max. Eintrittsdruck für Wasserdampf	mbar - hPa	30	
Max. Wasserdampfverträglichkeit	kg/h	0,11	
Motorleistung	kW (1~ / 3~)	0,25 / 0,37	0,25 / 0,45
U/min	n/min	1400	1700
Schalldruckpegel (UNI EN ISO 2151) (K 3dB)	dB(A)	58	60
Gewicht	kg (1~ / 3~)	13,0 / 11,5	
Öltyp	cod. DVP	BV68 (SW60)	
Ölmenge	dm ³	0,20	
Ansaugungs-/Abzugs-pumpe	"G	3/8	
Dauer-Arbeitsbereich (abs.)	mbar - hPa	400 ÷ 10	
Betriebstemperatur (Raumtemperatur 20°C)	°C	65 ÷ 70	70 ÷ 75
Erforderliche Arbeitsraumtemperatur	°C	12 ÷ 40	
Lager- bzw. Transporttemperatur	°C	-20 ÷ 50	
MAX. Feuchtigkeit/ Höhe		80% / 1000 m ü.d.M. *	

(*) Im Falle vom Umweltbedingungen, die von den beschriebenen abweichen, bitte den Hersteller kontaktieren.

3.3.3 Modell: LB.6 – LB.8



A	Ansaugung
B	Luftaustritt
1	Motorlüfterschutz
2	Befestigungspunkt

3	Ölblass-Verschluss
4	Ölstandssichtfenster
5	Ölfüll Verschluss
6	Typenschild

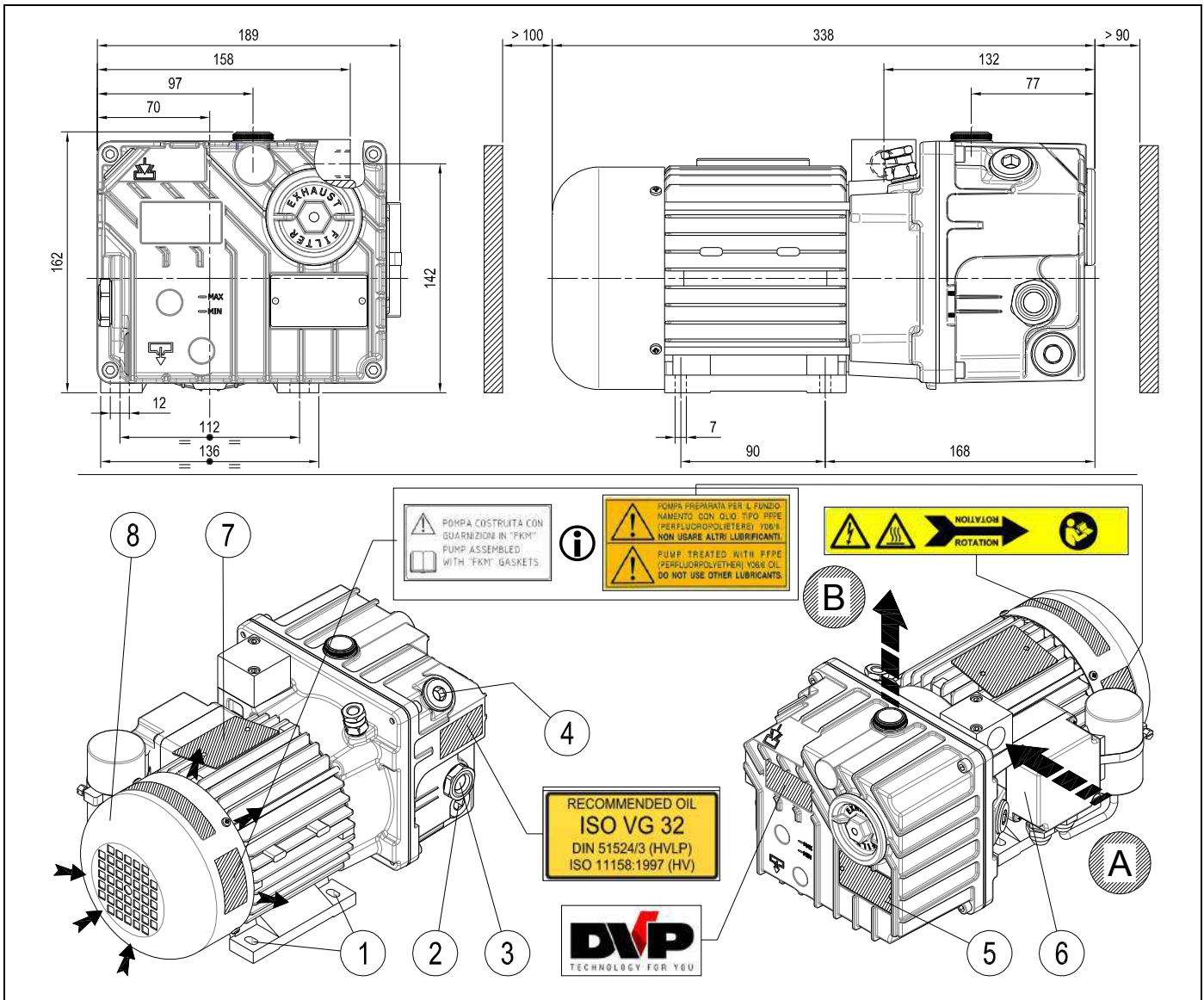
7	Motorschild
8	Klemmenkasten
!	Nur bei Spezial-Ausführungen vorliegend

TECHNISCHE MARKMALE

		LB.6		LB.8	
		50 Hz	60 Hz	50 Hz	60 Hz
Saugleistung	m ³ /h	6	7	8	9
Enddruck (abs.)	mbar - hPa	2			
Max. Eintrittsdruck für Wasserdampf	mbar - hPa	----			
Max. Wasserdampfverträglichkeit	kg/h	----			
Motorleistung	kW (1~ / 3~)	0,25 / 0,25	0,30 / 0,30	0,25 / 0,25	0,30 / 0,30
U/min	n/min	2800	3300	2800	3300
Schalldruckpegel (UNI EN ISO 2151) (K 3dB)	dB(A)	58	60	58	60
Gewicht	kg (1~ / 3~)	10,0 / 9,0			
Öltyp	cod. DVP	BV32 (SW40)			
Ölmenge	dm ³	0,20			
Ansaugungs-/Abzugs-pumpe	"G	3/8			
Dauer-Arbeitsbereich (abs.)	mbar - hPa	----			
Betriebstemperatur (Raumtemperatur 20°C)	°C	65 ÷ 70	70 ÷ 75	70 ÷ 75	75 ÷ 80
Erforderliche Arbeitsraumtemperatur	°C	12 ÷ 40			
Lager- bzw. Transporttemperatur	°C	-20 ÷ 50			
MAX. Feuchtigkeit/ Höhe		80% / 1000 m ü.d.M. *			

(*) Im Falle vom Umweltbedingungen, die von den beschriebenen abweichen, bitte den Hersteller kontaktieren.

3.3.4 Modell: LC.12



A	Ansaugung
B	Luftaustritt
1	Befestigungspunkt
2	Ölblech-Verschluss

3	Ölstandssichtfenster
4	Ölfüll Verschluss
5	Typenschild
6	Klemmenkasten

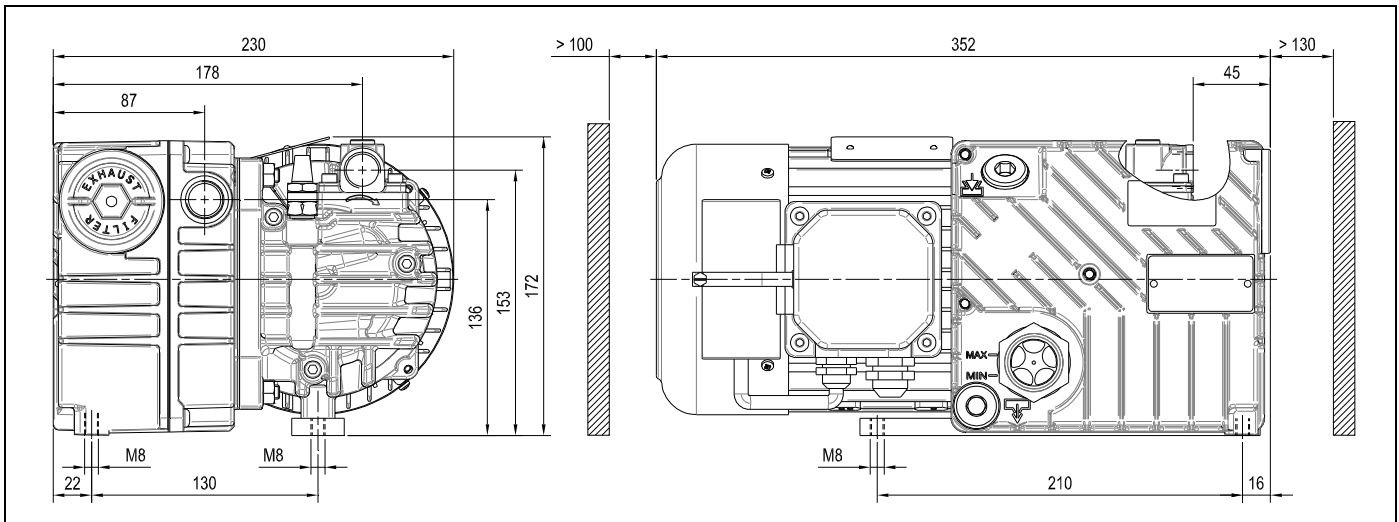
7	Motorschild
8	Motorlüfterschutz
i	Nur bei Spezial-Ausführungen vorliegend

TECHNISCHE MARKMALE

		LC.12	
		50 Hz	60 Hz
Saugleistung	m³/h	12	14
Enddruck (abs.)	mbar - hPa	2	
Max. Eintrittsdruck für Wasserdampf	mbar - hPa	35	
Max. Wasserdampfverträglichkeit	kg/h	0,3	
Motorleistung	kW (1~ / 3~)	0,45 / 0,37	0,55 / 0,45
U/min	n/min	2800	3300
Schalldruckpegel (UNI EN ISO 2151) (K 3dB)	dB(A)	62	64
Gewicht	kg (1~ / 3~)	14,0 / 12,5	
Öltyp	cod. DVP	BV32 (SW40)	
Ölmenge	Min÷Max dm³	0,30 ÷ 0,40	
Ansaugungs-/Abzugs-pumpe	"G	1/2	
Dauer-Arbeitsbereich (abs.)	mbar - hPa	400 ÷ 2	
Betriebstemperatur (Raumtemperatur 20°C)	°C	60 ÷ 65	65 ÷ 70
Erforderliche Arbeitsraumtemperatur	°C	12 ÷ 40	
Lager- bzw. Transporttemperatur	°C	-20 ÷ 50	
MAX. Feuchtigkeit/ Höhe		80% / 1000 m ü.d.M. *	

(*) Im Falle vom Umweltbedingungen, die von den beschriebenen abweichen, bitte den Hersteller kontaktieren.

3.3.5 Modell: LC.20



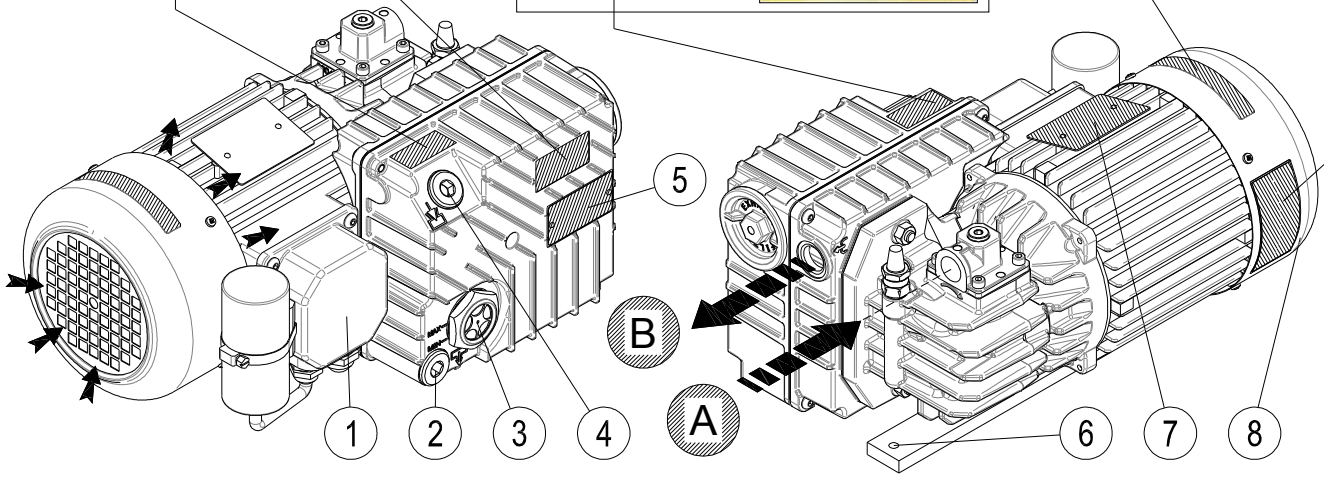
RECOMMENDED OIL
ISO VG 32
 DIN 51524/3 (HVLP)
 ISO 11158:1997 (HV)



⚠️ POMPA COSTRUITA CON GUARNIZIONI IN "FKM"
 PUMP ASSEMBLED WITH "FKM" GASKETS.



⚠️ POMPA PREPARATA PER L'UNDO NAMENTO CON OLIO TIPO PPE (PERFLUOROPOLIETILENE) / YD68 (NON USARE ALTRI LUBRIFICANTI)
 PUMP TREATED WITH PPE (PERFLUOROPOLYETHYLENE) YD68 OIL. DO NOT USE OTHER LUBRICANTS.



A	Ansaugung
B	Luftaustritt
1	Klemmenkasten
2	Ölblass-Verschluss

3	Ölstandssichtfenster
4	Ölfüll Verschluss
5	Typenschild
6	Befestigungspunkt

7	Motorschild
8	Motorlüfterschutz
ⓘ	Nur bei Spezial-Ausführungen vorliegend

TECHNISCHE MARKMALE		LC.20	
		50 Hz	60 Hz
Saugleistung	m ³ /h	20	24
Enddruck (abs.)	mbar - hPa	2	
Max. Eintrittsdruck für Wasserdampf	mbar - hPa	15	
Max. Wasserdampfverträglichkeit	kg/h	0,25	
Motorleistung	kW (1~ / 3~)	0,75 / 0,75	0,90 / 0,90
U/min	n/min	2800	3300
Schalldruckpegel (UNI EN ISO 2151) (K 3dB)	dB(A)	64	67
Gewicht	kg (1~ / 3~)	19,0 / 17,0	
Öltyp	cod. DVP	BV32 (SW40)	
Ölmenge	Min+Max dm ³	0,45 ÷ 0,50	
Ansaugungs-/Abzugpumpe	"G	1/2	
Dauer-Arbeitsbereich (abs.)	mbar - hPa	400 ÷ 2	
Betriebstemperatur (Raumtemperatur 20°C)	°C	60 ÷ 65	65 ÷ 70
Erforderliche Arbeitsraumtemperatur	°C	12 ÷ 40	
Lager- bzw. Transporttemperatur	°C	-20 ÷ 50	
MAX. Feuchtigkeit/ Höhe		80% / 1000 m ü.d.M. *	

(*) Im Falle vom Umweltbedingungen, die von den beschriebenen abweichen, bitte den Hersteller kontaktieren.

3.4 SCHALLEMISSIONEN

Die Pumpe wurde derart konstruiert und gebaut, dass die Geräuschentwicklung an ihrem Ausgangspunkt reduziert wird. Die in der Tabelle unter technischen Merkmalen aufgeführten Schalldruckwerte wurden bei höchstem Vakuum und entsprechend der Norm UNI EN 2151 abgeleitetem Auslass gemessen.

4 INSTALLATION

4.1 ANNAHME UND INHALTSPRÜFUNG

Bei Annahme der Pumpe ist erforderlich, die Unversehrtheit der Verpackung zu überprüfen oder ob diese offensichtliche, auf den Transport oder die Lagerbedingungen zurückzuführende Beschädigungen aufweist. Bei Unversehrtheit mit dem Auspacken und der Überprüfung der Pumpe fortfahren. Sollte man Beschädigungen der Verpackung feststellen, sofort den Spediteur und den Hersteller benachrichtigen.

Es ist stets erforderlich zu prüfen, ob das erhaltene Material mit dem im Warenbegleitschein angegebenen übereinstimmt. Die Verpackung ist so zu öffnen, dass alle Vorsichtsmaßnahmen getroffen werden, um Schäden an Personen oder am Inhalt zu vermeiden.

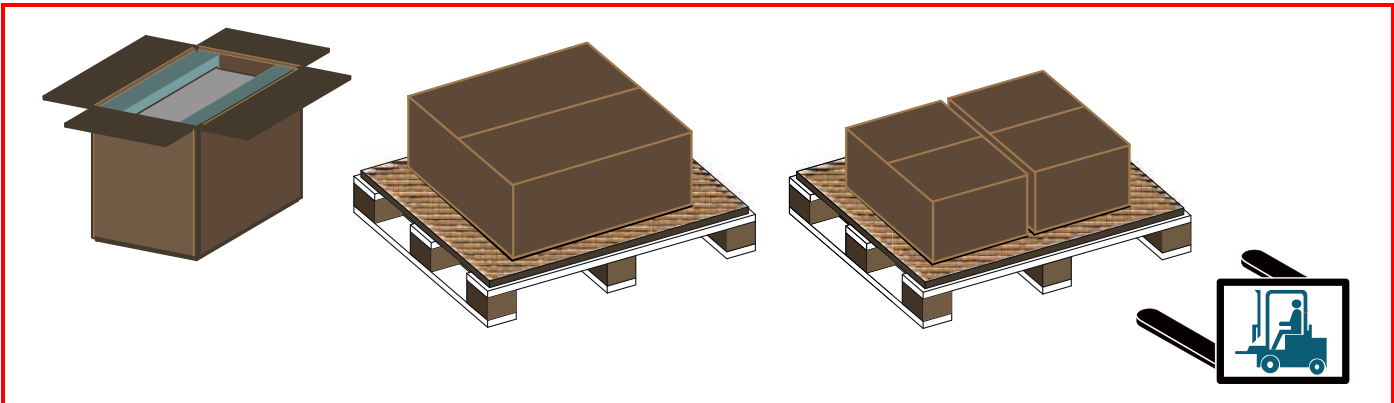
4.2 VERPACKUNG

Je nach Abmessungen und Transportart wird die Pumpe folgendermaßen verpackt:

- In einem einzigen Karton mit Füllmaterial;
- Auf einer Holzpalette mit Kartonabdeckung;
- In einzelnen Kartons auf Holzpaletten mit Schutzfolie.

Das Holz der Palette kann wiederverwendet oder in Übereinstimmung mit den geltenden Gesetzen des Installationslandes der Pumpe recycelt werden. Die anderen Materialien wie Karton, Kunststoff oder Schutzfolie sind mit Einverständnis der örtlichen entsprechenden Vorschriften zu entsorgen.

Die Verpackungsreste nicht verbrennen oder in die Umwelt werfen.



4.3 TRANSPORT UND HANDLING



GEFAHR

Der Transport, das Heben und das Handling muss von erfahrenem und qualifiziertem Personal ausgeführt werden.

Die Pumpe kann mit Gabelstaplern oder mit Hebezeug (Seile, Haken, usw.) angehoben und bewegt werden, die deren Gewicht entsprechen, das in der Tabelle der technischen Daten als auch auf dem Typenschild angegeben ist. Das Handling und die Bewegung von Hand sind nur mit der Übereinstimmung der entsprechenden örtlich geltenden Vorschriften gestattet.



ACHTUNG

Für den Transport wird empfohlen, die Pumpe, wie im folgenden Kapitel aufgeführt, bereitzustellen und den Öltank zu leeren (siehe Absatz „Ölwechsel“).

4.4 LAGERUNG

Die Pumpe vom in ihrem Öl im Inneren entleeren und die Ansaugöffnung und den Auslass mit den dafür vorgesehenen Schutzvorrichtungen verschließen. Die Pumpen müssen in ihrer Verpackung gelagert und in überdachten, trockenen, geschützten und nicht direkter Sonneneinstrahlung ausgesetzten Standorten bei einer Temperatur gelagert werden, die mit den technischen Anforderungen in der Tabelle übereinstimmen.

Im Fall von langen Stillständen im Lager oder Stilllegung mit Einlagerung ist es notwendig, dass der Ort den Merkmalen entspricht, die im Kapitel 3 (Beschreibung der Pumpe) vorgeschrieben sind. Um die Wirksamkeit und Funktionstüchtigkeit der Bestandteile aus Gummi und der Lippendichtungen zu bewahren, wird es empfohlen, die Pumpe mit verschlossener Ansaugöffnung mindestens 30 Minuten lang alle 6 Monate laufen zu lassen. Bei diesem

Vorgang alle in dem vorliegenden Handbuch enthaltene Hinweise und Vorschriften folgen und eine besondere Aufmerksamkeit den Anleitungen vom Kapitel 5 (Gebrauchsanweisung) schenken. Die Nichtbeachtung besagter Vorschrift könnte Beschädigungen der Bestandteile aus Gummi zur Folge haben und folglich Ölverluste während des Betriebs verursachen.

4.5 UMGEBUNGSBEDINGUNGEN

Die Pumpe ist in einem überdachten und ausreichend beleuchtetem Raum zu installieren und nur dort zu benutzen. Der Installationsbereich muss allen Anforderungen hinsichtlich der Höhe, als auch dem Luftaustausch genügen und alle Bestimmungen der Vorschriften einhalten.

Temperatur, Feuchtigkeit und Höhe

Die jeweiligen Grenzwerte sind in der Tabelle der technischen Merkmale (Kapitel 3.3) angegeben. Im Falle vom Umweltbedingungen, die von den beschriebenen abweichen, bitte den Hersteller kontaktieren.

Beleuchtung

Alle Bereiche müssen gleichmäßig und ausreichend beleuchtet sein, um alle in der Anleitung vorgesehenen Arbeitsschritte zu gewährleisten, wobei Schattenbereiche, Spiegelungen, Blendungen und Übermüdung der Augen zu vermeiden sind.

4.6 INSTALLATION DER PUMPE

Um einen perfekten Betrieb der Pumpe sicherzustellen, muss diese gemäß folgender Bedingungen platziert werden:

- Ausreichend Platz um die Pumpe lassen und sicherstellen, dass die Lüftungsseite des Motors frei ist.
- Überprüfen, ob im Umkreis der Pumpe ein einfacher Zugang zur Kontrolle oder Wartung der Zubehörteile, sowie genügend Platz einer geeigneten Hebeeinrichtung besteht.
- Die Pumpe ist mit Befestigungspunkten versehen; sie muss auf einer vollkommen horizontalen Fläche stehen, sodass im Falle eines Transportes ein Umkippen vermieden wird.
- Einige Modelle sind bereits mit Gummipuffern versehen, die auf der Höhe der Befestigungspunkte eingebaut sind. Sollte das Modell nicht damit ausgestattet sein, sollte dieses Zubehör installiert werden, damit keine Vibrationen auf die Pumpe übertragen werden.
- Den Luftaustausch im Raum, als auch im Inneren der Maschine, in dem die Pumpe untergebracht ist, sicherstellen und vermeiden, dass die aus dem Austritt und den Kühlventilatoren austretende Luft das Personal stört.



ACHTUNG

Die Pumpe nicht in einem Bereich installieren, in dem Staub oder andere Stoffe die Kühlflächen schnell verstopfen oder bedecken könnten.

4.7 BENUTZERSYSTEM

Sicherstellen, dass das Benutzersystem während der Installationsarbeiten nicht durch Schadstoffe verunreinigt wurde.

Soll die Anlage auch bei Stillstand der Pumpe im Vakuum verbleiben, ist ein Isolierventil zwischen Pumpe und Anlage einzubauen.

Sicherstellen, dass keine Schwingungen oder Belastungen auf die Pumpenanschlüsse oder auf die Pumpe selbst übertragen werden.

4.8 ANSCHLÜSSE



GEFAHR

Die Anschlüsse der Pumpe dürfen ausschließlich von qualifiziertem und speziell geschultem Personal ausgeführt werden.

4.8.1 ANSCHLUSS DER SAUGSEITE UND DES AUSLASSES

Der Anschluss an das Benutzersystem (sowohl, was Ansaugung als auch Ablass betrifft), muss mit Leitungen erfolgen, die entweder einen gleich großen oder größeren Durchmesser haben als die Ansaugöffnung der Pumpe. Das Gewicht der Leitungen und die eventuellen Ausdehnungen dürfen nicht auf der Pumpe lasten.

Es ist empfehlenswert, die letzte Verbindung mit der Pumpe mit Hilfe von Schläuchen oder flexiblen Verbindungsstücken einzurichten. Es ist wichtig, dass alle Leitungen und die unterschiedlichen Kupplungen dicht sind. Sehr lange Leitungen bzw. Leitungen mit zu kleinem Durchmesser verringern die Leistungen der Pumpe.



GEFAHR

Es ist zu vermeiden, dass sich die Abgase im Arbeitsraum stauen.



ACHTUNG

Für die Ansaugung einen Filter verwenden, vor allem, wenn die Pumpe mit unreinen Gasen arbeitet.

Die Abgase der Pumpe sind so zu behandeln, dass sie den Arbeitsraum und die Atmosphäre in der Umgebung nicht verunreinigen. Falls kondensierbare Dämpfe angesaugt werden, darf sich das in der Ablassleitung gebildete Kondenswasser weder sammeln, noch in die Pumpe zurückfließen; die Leitung muss daher nach unten geneigt und ohne Krümmungen sein. Zu vermeiden sind Schläuche aus gewebebewehrten Gummi, zu geringe Durchmesser (niemals kleiner als dem der Ansaugung oder des Ablasses), übermäßige Längen, enge und häufige Krümmungen.

**ACHTUNG**

Keine Verbindungsstücke oder Vorrichtungen in die Abgasleitungen einbauen, die das Abführen der Abgase behindern könnten (max. Überdruck am Ablass: 0,3 bar).

4.8.2 ELEKTRISCHER ANSCHLUSS**ACHTUNG**

Überprüfen, dass die Netzspannung und Frequenz den auf dem Motorschild angegebenen Werten entsprechen.

Das Anschlusskabel muss der von der Pumpe aufgenommenen Leistung entsprechen (die Leistungsaufnahmewerte der Pumpe sind auf dem Motorschild angegeben); dabei sind auch die Betriebsbedingungen der Umgebung zu berücksichtigen.

**GEFAHR**

Die Pumpe stets erden.

Stets eine Stromschutzvorrichtung zwischen der Pumpe und dem Versorgungsnetz anbringen; die Leistungsaufnahmewerte der Pumpe sind auf dem Motorschild angegeben.

Die Pumpe wird gewöhnlich ohne Stromkabel und Schalter ausgeliefert. Für den Anschluss an das Stromnetz, siehe den Schaltplan im Inneren des Klemmenkastens oder auf dem Motorschild.

ACHTUNG

Die richtige Drehrichtung des Motors vor der ersten Inbetriebnahme der Pumpe oder nach einem Wechsel der elektrischen Anschlüsse überprüfen.

Die richtige Drehrichtung ist die von dem auf der Pumpe angebrachten Pfeil (siehe Kap. 3.3). Die Inbetriebnahme der Pumpe in entgegengesetzter Pfeilrichtung kann sie schwer beschädigen.

5 GEBRAUCHSANLEITUNG

5.1 INBETRIEBNAHME

Vor dem Einschalten vorzunehmende Kontrollen:

- Die Pumpe wird ohne Schmieröl im Innenraum geliefert. Das zur Ausstattung gehörige Öl bzw. das auf dem angebrachten Schild der Pumpe angegebene Schmiermittel verwenden. (siehe Kap. 3.3) Alternativ dazu, ein Schmiermittel einer anderen Marke, jedoch mit gleichen Eigenschaften.
- Sicherstellen, dass der Auslass der Pumpe nicht von Verbindungsstücken behindert wird.

ACHTUNG



Eine größere als die erforderliche Ölmenge kann die Verstopfung der Ölabscheider und die Beschädigung der Pumpe oder des Elektromotors bewirken. Der Betrieb ohne Schmieröl verursacht schwere Schäden an der Pumpe.

5.1.1 BEFÜLLEN DES ÖLTANKS



ACHTUNG

Den Öltank nicht über den zulässigen Höchststand hinaus befüllen.

- Den Öleinfüll-Verschluss abschrauben;
- Öl in den Tank gießen, bis der Stand die Hälfte des Ölschauglas erreicht;
- Den Verschluss wieder verschließen;
- Eventuelle Tröpfeln aus der Pumpe und/oder dem Boden entfernen.

5.1.2 STARTEN



GEFAHR

Die Pumpe kann während des Betriebs hohe Temperaturen erreichen.

Nach dem Starten kann die Pumpe mit einer geringeren als der gewöhnlichen Drehzahl laufen, wenn die Umgebungstemperatur niedriger als die in der Tabelle der technischen Daten angegebenen ist, wenn das Öl verunreinigt ist oder die Stromversorgung niedriger, als die auf dem Motorschild angegebene ist.

Erreicht die Drehzahl den Nennwert nicht innerhalb von wenigen Sekunden, muss das Lastschutzsystem zum Schutz der Pumpe einschreiten (im Absatz „Elektrischer Anschluss“ vorgeschriebene Installation).

ACHTUNG



Im Fall des Ansaugens von Wasserdämpfen ist es unerlässlich, die Pumpe vor Beginn des Arbeitszyklus auf Betriebstemperatur zu bringen. Dazu die Pumpe etwa 30 Minuten lang mit geschlossener Ansaugöffnung und von der Wasserdampf enthaltenden Anlage isoliert laufen lassen.

ACHTUNG



Sicherstellen, dass die Pumpe bei zulässigen Druckwerten arbeitet und auf jeden Fall vermeiden, dass die Pumpe lange Zeit mit vollkommen geöffneter Ansaugöffnung läuft.

GEFAHR



Der Lauf der Pumpe bei normaler Drehzahl muss ohne Schwingungen oder ungewöhnliche Geräusche erfolgen. Sollten diese vorliegen, die Pumpe unverzüglich abschalten, nach der Ursache suchen und diese beseitigen.

5.1.3 ABSCHALTEN

Die Pumpe ist abzuschalten, indem die Stromversorgung des Motors getrennt wird.

Für den Fall der Abschaltung wird geraten, die Pumpe mit verschlossener Ansaugöffnung 30 Minuten lang laufen zu lassen. Dieser Schritt ermöglicht es, dass etwaige Vorliegen von Kondenswasser in der Ansaugkammer zu beseitigen und so die Oxidation des Flügelrads zu vermeiden.

Für den Fall von längeren Ruhezeiten, die Pumpe vollständig leeren, um Frostschäden in der kalten Jahreszeit oder Korrosionen aufgrund der möglichen chemischen Veränderung, der in der Pumpe stehenden Flüssigkeit zu vermeiden.

5.1.4 DAS PUMPEN VON WASSERDÄMPFEN

Bei vorhandenem Wasserdampf saugt die Pumpe ein Gemisch aus Luft- und Wasser an, das in die Pumpe eindringt und somit im Öltank kondensiert.

Während des Betriebes wird der angesaugte Wasserdampf auf Grund der erzeugten Hitze der Pumpe ausgeschieden. Die Modelle LB.5, LC.12 und LC.20 sind mit einem Gasballastventil ausgestattet. Diese Vorrichtung gewährleistet einen ständigen Luftstrom aus dem Pumpengehäuse und ermöglicht das Entweichen des Wasserdampfes und verhindert somit das Kondensieren im Schmiermittel.

Aus diesen genannten Gründen ist es vor Arbeitsbeginn unerlässlich, im Falle von angesaugten Wasserdämpfen, die Pumpe auf Betriebstemperatur zu bringen. Dazu die Pumpe etwa 30 Minuten lang mit geschlossener Ansaugung und von der Applikation isoliert laufen lassen.

6 WARTUNG

6.1 ALLGEMEINE HINWEISE

Für eine gute Wartung ist wichtig:

- Unverzüglich die Ursachen von etwaigen Unregelmäßigkeiten (übermäßige Geräuschentwicklung, Überhitzungen, usw.) festzustellen.
- Den Sicherheitsvorrichtungen eine besondere Beachtung zu schenken.
- Sich sämtlicher, vom Hersteller gelieferter Unterlagen zu bedienen (Anleitungen, Schaltpläne, usw.).
- Nur geeignetes Werkzeug und Original-Ersatzteile verwenden.

Sich für den Fall des mangelnden Verständnisses der im vorliegenden Kapitel enthaltenen Auskünfte oder Verfahrensweisen für Erklärungen an D.V.P. Vacuum Technology s.p.a. wenden, bevor fortgefahren wird.



GEFAHR

Keine Eingriffe, Veränderungen bzw. Reparaturen gleich welcher Art ausführen, die nicht in dieser Betriebsanleitung erwähnt werden.



Nur geschultes oder befugtes technisches Personal besitzt die erforderliche Erfahrung, mithilfe der geeigneten Technik jeden Eingriff auszuführen.



GEFAHR

Alle Wartungsarbeiten der Pumpe müssen bei getrenntem Netzanschluss ausgeführt werden. Nicht an der Pumpe arbeiten, bis diese nicht eine für das Wartungspersonal ungefährliche Temperatur erreicht hat.



GEFAHR

Sollte die Wartung der Pumpe nicht entsprechend der gelieferten Anweisungen, mit nicht originalen Ersatzteilen oder zumindest derart ausgeführt werden, dass deren Unversehrtheit beeinträchtigt oder deren Eigenschaften verändert werden, versteht sich D.V.P. Vacuum Technology s.p.a. von jeglicher Haftung hinsichtlich der Sicherheit der Personen und des fehlerhaften Gebrauchs der Pumpe enthoben.

6.2 WARTUNGSTABELLE

Die folgende Tabelle führt alle erforderlichen regelmäßigen Wartungsarbeiten auf, um die Pumpe in einem perfekten Zustand zu erhalten.

ART DES EINGRIFFS	INTERVALL	BEFÄHIGUNG
Kontrolle des Ölstands	24 h	
Ölwechsel	500 h	
Reinigung des Lüfterschutzes und allgemeine Reinigung der Pumpe	1000 h	
Austausch des Reinigungsfilters	2000 h	
Austausch der Drehflügel	10000 h	

Je nach der Art des Einsatzes (hohe Temperaturen der angesaugten Gase, Vorliegen von kondensierbaren Dämpfen in den angesaugten Gasen, usw.) können kürzere Intervalle erforderlich werden.

6.2.1 KONTROLLE DES ÖLSTANDS

Kontrollieren, dass der Ölpegel die Mitte des Ölschauglas erreicht, andernfalls gemäß der Anweisungen des folgenden Abschnitts vorgehen.

Den Zustand des Öls überprüfen; erscheint es dunkel oder trüb, ist dies ein Zeichen dafür, dass es durch angesaugte Stoffe verschmutzt ist und gewechselt werden muss.

6.2.2 ÖLWECHSEL

Für den Ölwechsel wie folgt vorgehen:

- Die Pumpe mit verschlossener Ansaugöffnung etwa 10 Minuten lang laufen lassen, damit sich das Öl verflüssigt;
- Die Pumpe abschalten und sie vom Netz trennen;
- Den Einfüllverschluss abschrauben;
- Sich einen Behälter mit einem Fassungsvermögen beschaffen, der ausreicht um das gesamte Öl aufzufangen und anschließend den Verschluss des Ölablasses öffnen;
- Das Öl vollständig auslaufen lassen;
- Den Ölablassverschluss anschrauben und das frische Öl in die Füllöffnung gießen, bis es die Mitte des Ölstandsichtfensters erreicht;

- Den Öfüll-Verschluss verschließen;
- Eventuelle Tröpfeln aus der Pumpe und/oder dem Boden entfernen.
- Den Netzanschluss wieder herstellen und die richtige Drehrichtung der Pumpe sicherstellen (siehe Kap. 3.3);
- Die Pumpe einige Minuten lang mit geschlossener Ansaugung laufen lassen und, falls erforderlich, den richtigen Ölstand wieder herstellen.



GEFAHR
 Bei der Ausführung dieser Arbeit geeignete persönliche Schutzausrüstung tragen.



GEFAHR
 Die entsprechenden örtlichen Vorschriften der Altölversorgung befolgen.

6.2.3 REINIGUNG DES LÜFTERSCHUTZES UND ALLGEMEINE REINIGUNG

Die Reinigung des Kühlers, des Motorlüftungsschutzes und der Pumpe ist erforderlich, um die Staubablagerungen zu beseitigen. Dafür Druckluft und, falls erforderlich, einen trockenen Lappen verwenden. Keine Flüssigkeiten oder andere als die angegebenen Mittel verwenden



GEFAHR
 Bei der Ausführung dieser Arbeit geeignete persönliche Schutzausrüstung tragen.

6.2.4 AUSTAUSCH DES REINIGUNGSFILTERS

Der Austausch des Reinigungsfilters/Luftentölelements sollte erfolgen, wenn er verstopft oder beschädigt ist. Hinweise dazu entnehmen Sie aus der Tabelle des Kap. 6.2.

Für den Austausch nur Original Ersatzteile verwenden, die im Ersatzteilkit der Pumpe enthalten sind. (siehe Kap.6.3.) Der Gebrauch von nicht Originalteilen beschädigt die Pumpe.

Zeichen eines verstopften oder beschädigten Filters sind eine größere Raumentwicklung, höherer Geräuschpegel oder höherer Energieverbrauch des Motors.(siehe Kap.9 Punkt C,E)

Der Verstopfungszustand kann bestimmt werden, indem man die Druckdifferenz ΔP am Pumpengehäuse misst. Für die Pumpen, die mit einer Öffnung für eine Druckdifferenzmessung ausgestattet sind, kann der Wert mittels eines Druckmessers oder des Zubehörteils SIF.2 bestimmt werden. Für die Pumpen, die keine solche Öffnung haben, ist es auch möglich den Druckmesser oder das Zubehörteil SIF.2 an der Stelle der Ölablassschraube zu befestigen.

Bei laufender Pumpe mit heißem Öl, erkennt man die Verstopfung des Filters, wenn der gemessene Druckdifferenzwert an der Messöffnung des komplett offenen Einlasses der Pumpe höher als 0.7 bar rel.(über dem Meeresspiegel) ist. Dann muss der Filter ausgetauscht werden.

6.2.5 AUSTAUSCH DER DREHFLÜGEL

Die Anweisungen für den Austausch der Drehflügel sind auf Anfrage erhältlich.

6.3 ERSATZTEILE

Für den Austausch der Ersatzteile der Pumpen werden **Original-Ersatzteilen** empfohlen.

Beim Kauf von Ersatzteilen stets das Pumpenmodell und die Seriennummer (diese Angaben stehen auf dem Typenschild), sowie die Artikelnummer des Ersatzteils angeben.

BEZEICHNUNG	LC.2	LC.4	LB.5	LB.6	LB.8	LC.12	LC.20
Reinigungsfilter-Satz	K9601069	K9601070	K9601062	K9601058	K9601055	K9601064	K9601066
Wartungs-Satz	K9601069/1	K9601070/1	K9601062/1	K9601058/1	K9601055/1	K9601064/1	K9601066/1
Öl 0,25 dm ³	8811025 (BV32) 8831025 (SW40)		8812025 (BV68) 8832025 (SW60)		8811025 (BV32) 8831025 (SW40)		
Öl 0,5 dm ³	8811050 (BV32) 8831050 (SW40)		8812050 (BV68) 8832050 (SW60)		8811050 (BV32) 8831050 (SW40)		
Öl 1 dm ³	8811100 (BV32) 8831100 (SW40)		8812100 (BV68) 8832100 (SW60)		8811100 (BV32) 8831100 (SW40)		
Ölstandanzeiger	1105005		1105004	1105009		1105004	
Rückschlagventil	Serienmäßig						

D.V.P. Vacuum Technology s.p.a. lehnt jegliche Haftung für etwaige Leistungsver schlechterung der Pumpe oder dessen verursachte Schäden ab, die auf die Verwendung von nicht originalen Ersatzteilen zurückzuführen sind.

7 RÜCKSENDUNG DES PUMPE

Eine Rücksendung der Pumpe darf nur nach vorheriger Rücksprache mit dem Lieferanten erfolgen, welcher eine Bearbeitungsnummer vergibt. Die Pumpe dann an die vom Lieferanten genannte Adresse mit Lieferschein, ausgefülltem Serviceformular und der mitgeteilten Bearbeitungsnummer durchführen.

8 ENTSORGUNG

Die Entsorgung der Pumpe muss durch befugtes Personal erfolgen.

Die Metallteile können als Alteisen entsorgt werden.

Auf jeden Fall, sind alle durch die Entsorgung gewonnenen Materialien nach den jeweiligen Vorschriften des Landes zu entsorgen.

GEFAHR



Während der Entsorgungsarbeiten besteht die Gefahr von Schnitten, des Ausstoßes von Splittern, des Verfangens, der Berührung mit beweglichen Teilen, der Berührung mit chemischen Produkten. Das dazu befugte Personal muss die dafür geeigneten persönlichen Schutzausrüstungen verwenden.

9 FEHLERSUCHE

STÖRUNGEN	URSACHEN	ABHILFEN
(A) Die Pumpe springt nicht an	Fehlen von Spannung	Für Stromversorgung sorgen
	Lastschuttschalter ausgelöst	Die Ursachen dafür ergründen und den Schalter wieder einschalten
	Raumtemperatur zu niedrig	Die Raumtemperatur auf einen Wert innerhalb des zulässigen Bereichs bringen
	Motorwicklung defekt	Sich an den Kundendienst wenden
(B) Die Pumpe erreicht das angegebene Vakuum nicht	Zu wenig Öl im Tank	Öl nachfüllen
	Öl verschmutzt	Öl wechseln
	Auslass verstopft	Die Auslassanschlüsse überprüfen
(C) Die Pumpe ist laut	Reinigungsfilter verschmutzt	Reinigungsfilter ersetzen
	Lager beschädigt	Sich an den Kundendienst wenden
	Schadhafte Drehflügel	Sich an den Kundendienst wenden
(D) Erhöhte Pumpentemperatur	Ungeeignetes Öl	Öl wechseln
	Unzureichende Belüftung des Raumes	Einen Hilfsventilator einbauen
	Motorlüfter defekt	Sich an den Kundendienst wenden
	Fehlerhafte Stromversorgung des Motors	Stromversorgung überprüfen
	Auslass verstopft	Die Auslassanschlüsse überprüfen
(E) Hoher Ölverbrauch	Hoher Betriebsdruck (nahe am atmosphärischen)	Den Ölstand unter Kontrolle halten
	Erhöhte Pumpentemperatur	Siehe Punkt „D“
	Reinigungsfilter verschmutzt	Reinigungsfilter ersetzen
(F) Die Pumpe hält nach dem Abschalten das Vakuum nicht	Rückschlagventil beschädigt (falls installiert)	Sich an den Kundendienst wenden
(G) Ölverluste aus der Pumpe	Tankschrauben bzw. -Verschlüsse nicht angezogen	Schrauben oder Verschlüsse anziehen
	Tankdichtung beschädigt	Sich an den Kundendienst wenden
	Ölstandsichtfenster nicht angezogen	Ölstandsichtfenster anziehen

ALLGEMEINE GESCHÄFTSBEDINGUNGEN

D.V.P. Vacuum Technology s.p.a. stellt seine Produkte ausschließlich Geschäftskunden zur Verfügung; eine Belieferung des Endverbrauchers ist somit nicht vorgesehen.

GARANTIEBEDINGUNGEN DER PRODUKTE

D.V.P. Vacuum Technology s.p.a. garantiert, dass das Produkt bei normalem Gebrauch in einem Zeitraum von 24 Monaten ab dem Speditionsdatum frei von Material- und Herstellungsfehlern ist. Bei einer Reparatur des Produkts außerhalb des Garantiezeitraums wird für 6 Monate des normalen Gebrauchs das Fehlen von Material- und Herstellungsfehlern garantiert. Unter normalem Gebrauch versteht sich ein Betriebszyklus von 8 Stunden pro Tag; maximal sind 5000 Betriebsstunden für den Garantiezeitraum von 24 Monaten vorgesehen.

Die Garantie umfasst den kostenlosen Ersatz bzw. die kostenlose Reparatur aller Bestandteile des Produktes, die aufgrund von Herstellungsfehlern Defekte aufweisen. Die Garantieleistung wird durch das Kundendienstnetz von D.V.P. erbracht.

Im Falle der Reparatur gewährleistet D.V.P. Vacuum Technology s.p.a. seinem Auftraggeber die Zustellung der identischen Ersatzteile für 24 Monate ab dem Speditionsdatum. Nach diesem Zeitraum könnten die Teile nicht mehr auf dem Markt erhältlich sein; bei einer Reparatur könnte somit die Zahlung der Differenz zwischen dem erworbenen und dem bei der Reparatur installierten Produkt gefordert werden. Dieser Preis wird dem Kunden auf jeden Fall zuvor mitgeteilt; die Reparatur erfolgt erst nach seiner Kenntnisnahme und Bestätigung.

D.V.P. Vacuum Technology s.p.a. wird alles in ihren Kräften stehende tun, um die *Standard-Bearbeitungszeit* (20 Werktage) bei Garantieforderungen einzuhalten; diese kann jedoch je nach Entfernung und Zugänglichkeit des Ortes, an dem sich das Produkt befindet, und der Verfügbarkeit der Bauteile variieren.

D.V.P. Vacuum Technology s.p.a. haftet nicht für direkte oder indirekte Verluste, die durch fehlende Einhaltung seitens D.V.P. Vacuum Technology s.p.a. der obigen Bearbeitungszeiten entstehen; ebenso übernimmt das Unternehmen keine vertragliche oder zivile Verpflichtung für Produktdefekte, die nicht innerhalb eines angemessenen Zeitraums repariert werden können.

Bei einem irreparablen Schaden wird das Produkt ersetzt. Der Ersatz sieht vor, dass die ursprüngliche Garantie auf das neue Produkt übertragen wird und bis zu deren Frist weiterläuft.

Vom Garantieschutz sind alle Teile ausgenommen, deren Defekte durch Fahrlässigkeit und/oder Nachlässigkeit beim Gebrauch (fehlende Beachtung der Bedienungsanweisungen des Gerätes, fehlende Wartung), fehlerhafte Installation und/oder Wartung, durch nicht befugtes Personal ausgeübte Wartungsarbeiten, Transportschäden oder andere Umstände verursacht werden, und die somit nicht auf Herstellungsfehler am Gerät zurückzuführen sind. Ebenso stehen alle Bauteile des Produktes nicht unter Garantieschutz, die ohne vorherige schriftliche Genehmigung seitens D.V.P. Vacuum Technology s.p.a. verändert oder repariert wurden.

Die Garantie ist darüber hinaus für alle Schäden ausgeschlossen, die durch unsachgemäßen Gebrauch, normalen Verschleiß, galvanische und elektrostatische Strömungen, chemische Korrosion sowie Beschädigung, Ersatz oder Entfernung des ursprünglichen Typenschildes entstehen.

Die Garantie erlischt auf jeden Fall bei Schäden, die auf externe Ursachen wie Unfälle oder Zufall zurückzuführen sind.

D.V.P. Vacuum Technology s.p.a. lehnt in diesen Fällen jede Haftung gegenüber jeder Person, für alle Schäden und die damit verbundenen Folgen ab, die sich aus der Verwendung des Produktes bzw. durch seine Mängel ergeben.

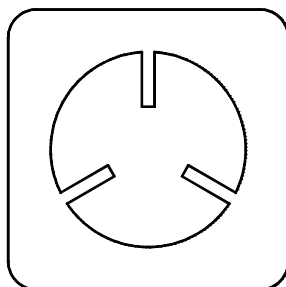
Lediglich als Beispiel und nicht darauf beschränkt, haftet das Unternehmen nicht:

- für eventuelle Schäden, die direkt oder indirekt Personen, Gegenständen oder auch Tieren infolge einer Nichtbeachtung aller Vorschriften in der jeweiligen Bedienungs- und Wartungsanleitung zugetragen werden, besonders die Hinweise zur Installation sowie zum Gebrauch und zur Wartung des Gerätes;
- für eventuelle weitergehende Schäden und/oder Verluste, die durch Defekte oder Mängel der Produkte entstehen, die von D.V.P. Vacuum Technology s.p.a. repariert wurden;
- für mögliche indirekte Schäden oder den damit verbundenen Folgen wie beispielsweise Geschäfts-, Gewinn- oder Gehaltsverluste usw.;
- Verluste, die der Kunde verhindern hätte können, wenn er die Ratschläge und Anweisungen von D.V.P. Vacuum Technology s.p.a. befolgt hätte.

Der Auftraggeber verzichtet auf jeden Fall darauf, jedes Recht oder jede Forderung zu beanspruchen und sieht davon ab, in Bezug auf den Gebrauch des Produkts Ausnahmen jeder Art geltend zu machen oder eine gerichtliche Klage anzustrengen.

Die Garantie umfasst keine Teile, die einem normalen Verschleiß unterliegen. Sie erlischt somit bei Defekten, die durch Filtereinsätze, Drehflügel, Membranen und Dichtungsringe verursacht werden, wie auch bei allen Produkten von Dritten, aus denen das Endprodukt besteht.

Die Kosten für den Transport, Ausbau und die spätere Neuinstallation des reparierten bzw. ersetzten Produktes gehen gänzlich auf Kosten des Kunden.



D.V.P. Vacuum Technology s.p.a.
Via Rubizzano, 627
40018 San Pietro in Casale (BO) – Italy
Ph +3905118897101
Fx +3905118897170
www.dvp.it

Cod. 8702036 – 12/04/2016 – R.7 – (DE)



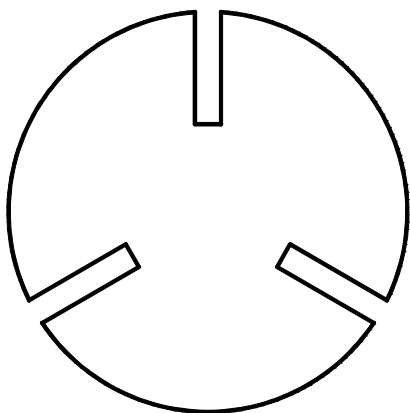
**VACUUM
TECHNOLOGY**



MANUAL DE USO Y MANTENIMIENTO

(Traducción de las instrucciones originales)

BOMBAS PARA VACÍO LUBRIFICADAS POR RECIRCULACIÓN



**LC.2
LC.4
LB.5
LB.6
LB.8
LC.12
LC.20**

ÍNDICE

1	INTRODUCCIÓN	2
1.1	INFORMACIÓN GENERAL	2
1.2	DATOS DEL FABRICANTE	2
1.3	MODO DE CONSULTA	2
1.4	NIVEL DEL PERSONAL	2
1.5	DISPOSITIVOS DE PROTECCIÓN INDIVIDUAL	2
1.6	PLACA DE IDENTIFICACIÓN	3
2	SEGURIDAD	3
2.1	ADVERTENCIAS GENERALES	3
2.2	RIESGOS RESIDUALES	3
2.3	PICTOGRAMAS	4
3	DESCRIPCIÓN DE LA BOMBA	5
3.1	USO PREVISTO Y PROHIBICIONES	5
3.1.1	USO PREVISTO	5
3.1.2	PROHIBICIONES	5
3.2	VERSIÓN FKM	5
3.3	DIMENSIONES Y CARACTERÍSTICAS	6
3.3.1	Modelo: LC.2 – LC.4	6
3.3.2	Modelo: LB.5	7
3.3.3	Modelo: LB.6 – LB.8	8
3.3.4	Modelo: LC.12	9
3.3.5	Modelo: LC.20	10
3.4	EMISIÓN SONORA	11
4	INSTALACIÓN	11
4.1	RECEPCIÓN Y CONTROL DEL CONTENIDO	11
4.2	EMBALAJE	11
4.3	TRANSPORTE Y MANIPULACIÓN	11
4.4	ALMACENAMIENTO	11
4.5	CONDICIONES AMBIENTALES	12
4.6	INSTALACIÓN DE LA BOMBA	12
4.7	SISTEMA USUARIO	12
4.8	CONEXIÓN	12
4.8.1	CONEXIONES DE LA ASPIRACIÓN Y LA DESCARGA	12
4.8.2	CONEXIÓN ELÉCTRICA	13
5	ISTRUCCIONES DE USO	14
5.1	FUNCIONAMIENTO	14
5.1.1	LLENADO DEL DEPÓSITO DE ACEITE	14
5.1.2	ENCENDIDO	14
5.1.3	PARADA	14
5.1.4	BOMBAS DE VAPOR DE AGUA	14
6	MANTENIMIENTO	15
6.1	ADVERTENCIAS GENERALES	15
6.2	TABLA DE INTERVENCIONES	15
6.2.1	CONTROL NIVEL ACEITE	15
6.2.2	CAMBIO ACEITE	15
6.2.3	LIMPIEZA PROTECCIÓN VENTILADOR Y LIMPIEZA GENERAL	16
6.2.4	CAMBIO FILTRO DEPURADOR	16
6.2.5	CAMBIO DE LAS PALETAS	16
6.3	REPUESTOS	16
7	DEVOLUCIÓN DE LA BOMBA	17
8	ELIMINACIÓN	17
9	DETECCIÓN DE FALLOS	18

1 INTRODUCCIÓN

1.1 INFORMACIÓN GENERAL

Este manual contiene la información necesaria e importante para la seguridad de las personas encargadas del uso y del mantenimiento de la bomba.

El manual ha sido redactado originalmente en idioma ITALIANO y forma parte integral de la bomba, por lo tanto debe conservarse con cuidado durante la vida útil del producto, además, en caso de venta, alquiler o préstamo de uso de la bomba el manual debe entregarse junto con la declaración de conformidad CE.

Está prohibido realizar cualquier operación en la bomba sin antes haber leído y comprendido atentamente todas las instrucciones que contiene el presente manual.

Las imágenes impresas en el manual son meramente identificativas y sirven de ejemplo ilustrativo, por lo tanto no comprometen al fabricante, quien se reserva el derecho de efectuar modificaciones a los componentes o a las partes, sin que por ello esté obligado a actualizar este manual, siempre que no alteren el funcionamiento y la seguridad de la bomba.

1.2 DATOS DEL FABRICANTE

D.V.P. Vacuum Technology s.p.a.

Via Rubizzano, 627
40018 - S. Pietro in Casale (BO) - ITALY

Ph +3905118897101
Fx +3905118897170
e-mail: info@dvp.it
sitio web: <http://www.dvp.it>

Cualquier solicitud o información sobre la bomba debe contener los siguientes datos:

- Modelo y serie de la bomba;
- Año de fabricación;
- Fecha de adquisición;
- Descripción detallada de los problemas encontrados.

1.3 MODO DE CONSULTA

Para comprender mejor la información contenida en este manual, las advertencias y las instrucciones consideradas críticas o peligrosas han sido resaltadas con los siguientes símbolos:



PELIGRO

Son las instrucciones que en caso de incumplimiento pueden originar peligro para las personas.



ATENCIÓN

Son las instrucciones que en caso de incumplimiento pueden causar daños a la bomba.

1.4 NIVEL DEL PERSONAL

Para que las operaciones con la bomba se realicen en forma segura, es necesario que los operadores encargados posean el nivel y los requisitos adecuados para ejercerlas.

Los operadores se clasifican en:



OPERADOR DE PRIMER NIVEL:

Corresponde al personal no cualificado, es decir, que no posee conocimientos específicos y sólo puede realizar labores simples.



ENCARGADO DEL MANTENIMIENTO MECÁNICO:

Técnico cualificado capaz de intervenir en los órganos mecánicos para efectuar las regulaciones, operaciones de mantenimiento y las reparaciones que son necesarias. No está autorizado para intervenir en instalaciones eléctricas con presencia de tensión.



ENCARGADO DEL MANTENIMIENTO ELÉCTRICO:

Técnico cualificado para realizar las operaciones eléctricas. Está en capacidad de trabajar dentro de los armarios y cajas de derivación.

1.5 DISPOSITIVOS DE PROTECCIÓN INDIVIDUAL

La bomba debe instalarse en lugares donde las prescripciones de seguridad se cumplan, por lo tanto es obligatorio que el personal sea provisto de los dispositivos de protección individual necesarios para el desarrollo de la actividad.

1.6 PLACA DE IDENTIFICACIÓN

Todas las bombas tienen una placa de identificación en la cual se describe el nombre del fabricante, la dirección, la marca CE y los datos técnicos.

	D.V.P. Vacuum Technology s.p.a. Made in Italy - www.dvp.it								
	TYPE: <input style="width: 100%;" type="text"/>								
<input type="radio"/>	S/N: <input style="width: 100%;" type="text"/>	YEAR <input style="width: 100%;" type="text"/>	kg <input style="width: 100%;" type="text"/> <input type="radio"/>						
<table border="1" style="width: 100%; border-collapse: collapse;"> <tr> <td align="center">Hz</td> <td align="center">m³/h</td> <td align="center">mbar (Abs.) hPa</td> </tr> <tr> <td align="center"><input style="width: 100%;" type="text"/></td> <td align="center"><input style="width: 100%;" type="text"/></td> <td align="center"><input style="width: 100%;" type="text"/></td> </tr> </table>	Hz	m ³ /h	mbar (Abs.) hPa	<input style="width: 100%;" type="text"/>	<input style="width: 100%;" type="text"/>	<input style="width: 100%;" type="text"/>			
Hz	m ³ /h	mbar (Abs.) hPa							
<input style="width: 100%;" type="text"/>	<input style="width: 100%;" type="text"/>	<input style="width: 100%;" type="text"/>							



ATENCIÓN

Está totalmente prohibido quitar o alterar la placa de identificación.

2 SEGURIDAD

2.1 ADVERTENCIAS GENERALES

Antes de realizar cualquier operación en la bomba es importante leer el presente manual. Se recomienda respetar siempre las normas de seguridad del país donde la bomba se instala y solicitar los servicios de personal especializado para las operaciones de mantenimiento, uso e instalación de la misma durante su vida útil.

Las principales reglas de comportamiento que deben observarse para trabajar con seguridad son las siguientes:

- Las operaciones de instalación, uso, mantenimiento o cualquier otra deben ser efectuadas por personal calificado y con experiencia.
- Es muy importante utilizar en todo momento los dispositivos de protección individual previstos.
- Cortar o desconectar siempre las alimentaciones de energía cuando se vayan a realizar las operaciones de limpieza, regulación y mantenimiento.
- No dirigir el chorro de agua contra las partes eléctricas aunque estén protegidas con envolturas.
- No fumar durante el trabajo o el mantenimiento, sobre todo cuando se usan disolventes o materiales inflamables.
- No alterar las placas con las señales y los pictogramas adheridos a la bomba, por lo tanto, en el caso en que se dañen accidentalmente sustituirlas con otras idénticas.

D.V.P. Vacuum Technology s.p.a. no asume ninguna responsabilidad por los daños causados a las personas o a las cosas por el uso indebido de la bomba, por la alteración de sus aparatos de seguridad o por el incumplimiento de las normas de seguridad en el trabajo.

2.2 RIESGOS RESIDUALES

PELIGRO



La bomba ha sido diseñada para reducir al máximo el riesgo residual en el personal. Sin embargo, es importante obrar con mucha precaución y poner atención cada vez que se realizan operaciones de mantenimiento, el contacto continuo con la bomba hace olvidar y subestimar los posibles riesgos.

Peligro temperaturas elevadas

Las superficies de la bomba pueden alcanzar temperaturas superiores a los 70°C, por lo tanto instalar la bomba en zona protegida, donde sólo el personal autorizado pueda tener acceso a las labores, una vez ha sido apagada y esté fría.

Peligro generado por la depresión

Evitar el contacto con la conexión de aspiración de la bomba durante el funcionamiento. Introducir aire en el circuito de aspiración antes de cada intervención. El contacto con los puntos en depresión puede ocasionar accidentes de trabajo.

Peligro generado por la presión

El depósito de la bomba es presurizado, por lo tanto no abrir ni dejar abierto los tapones de carga y descarga de aceite durante el funcionamiento.

Peligro de emisión de sustancias nocivas

El aire de descarga o salida de la bomba contiene trazas de bruma de aceite, por lo tanto, controlar la compatibilidad con el ambiente de trabajo.

Los daños o el desgaste de las juntas pueden provocar escapes de aceite lubricante; evitar la dispersión en el suelo y la contaminación de materiales.

Si se aspira aire con sustancias peligrosas (por ej. agentes biológicos o microbiológicos), utilizar sistemas de eliminación instalándolos antes de la bomba para vacío. Los aceites usados deben eliminarse conforme a las normas del país donde se utiliza la bomba.

Peligro eléctrico

En el sistema eléctrico de la bomba existen partes sometidas a tensión que con el contacto pueden ocasionar graves daños a las personas y a las cosas. Cualquier operación en el sistema eléctrico debe ser efectuada solamente por personal especializado.

Peligro incendio

El uso de la bomba para labores no previstas o prohibidas en este manual, así como la falta de mantenimiento, pueden provocar mal funcionamiento y riesgo de recalentamiento e incendio.

En caso de incendio, no usar agua para apagar la llama, utilizar extinguidores de polvo o CO₂, o cualquier medio apropiado para el sistema eléctrico y los aceites lubricantes.

Peligro de deslizamiento y/o de caída

Para el funcionamiento de las bombas de vacío de la serie "L" se utiliza aceite lubricante. El simple mantenimiento o una utilización no conforme con las prescripciones de este manual puede ocasionar deterioros de las juntas y ocasionar el goteo de lubricante al suelo, lo cual puede conllevar el riesgo de deslizamiento y/o de caída del personal.

Peligro de enredo

Cerca del cárter de protección del ventilador del motor eléctrico existe el peligro inminente de enredo o de ver atrapados cabellos e indumentaria en el ventilador de refrigeración ubicado dentro de la protección. Recogerse el pelo, si es largo, y no utilizar prendas de vestir anchas, lazos largos ni otros objetos que puedan quedar atrapados.

Peligro derivado de la proyección de componentes

Instalar la bomba de manera tal que se evite que el personal encargado de las tareas pueda ser golpeado directamente por los componentes, o partes de los mismos proyectados a través del cárter de protección del ventilador después de la eventual ruptura del ventilador de refrigeración.

2.3 PICTOGRAMAS

Sobre la bomba se han adherido pictogramas con símbolos de advertencia y de seguridad para los operadores. Leer y poner mucha atención a los símbolos y al mensaje descrito antes de utilizar la bomba.

**PELIGRO ELÉCTRICO**

Alerta cuando se está cerca a conexiones eléctricas (protegidas) cuyo contacto accidental puede causar electrocución y muerte.

**PELIGRO SUPERFICIES CALIENTES**

Alerta cuando se está cerca de superficies con temperatura superior a los 70°C que pueden causar quemaduras de segundo nivel.

**CONSULTE EL MANUAL / LIBRO DE INSTRUCCIÓN**

Antes de realizar cualquier operación, lea atentamente el manual de uso y mantenimiento.

D.V.P. Vacuum Technology s.p.a. no asume ninguna responsabilidad por los daños causados a las personas o a las cosas por el incumplimiento de las normas descritas en los pictogramas o por su deficiente conservación.

3 DESCRIPCIÓN DE LA BOMBA

3.1 USO PREVISTO Y PROHIBICIONES

3.1.1 USO PREVISTO

Las bombas descritas en este manual son del tipo giratorias de paletas, lubricada por recirculación de aceite. Estas bombas de vacío han sido diseñadas para trabajar expresamente con aire limpio, gases inertes o pequeñas cantidades de vapores de agua, cuya temperatura, en la boca de aspiración de la bomba, debe estar comprendida entre +12°C y +40°C.

Esta serie de bombas es idónea para la evacuación de pequeños recipientes cerrados o para algunos modelos con funcionamiento en continuo a presión absoluta como está indicado en el párrafo 3.3 “Dimensiones y Características”.

Cualquier otro uso está prohibido. El fabricante no asume ninguna responsabilidad por los daños a las personas o a las cosas causados por el uso indebido o no permitido de la bomba.

3.1.2 PROHIBICIONES



Cualquier uso diferente para el que ha sido fabricada constituye hecho anormal que origina daños a la bomba y representa un serio peligro para el operador.

A continuación se relacionan las operaciones que no pueden realizarse con la bomba, y que por lo tanto se consideran indebidas.

- No utilizar la bomba en atmósfera explosiva, crítica o de alta concentración de polvos o sustancias aceitosas suspendidas en el aire, ni emplearla para bombear gases explosivos, inflamables, corrosivos o que formen partículas. El uso de las bombas en estas condiciones y con estos tipos de gases puede causar lesiones, explosiones, incendios o daños graves a la bomba;
- No usar partes de repuestos que no sean originales o no previstos por el fabricante;
- No utilizar la unidad para bombear materiales sólidos, sustancias químicas, polvos, disolventes y otras sustancias diferentes a las permitidas. Este tipo de materiales puede dañar la unidad, afectar su rendimiento o disminuir su vida útil;
- No exponer la bomba a la lluvia, el vapor o la humedad excesiva;
- No posicionar o almacenar al amparo o cerca de materiales o sustancias inflamables o combustibles;
- No utilizar la bomba como compresor.

3.2 VERSIÓN FKM

Esta versión dispone de dispositivos técnicos especiales, como el empleo de juntas FKM que permiten su uso en presencia de algunos gases agresivos.

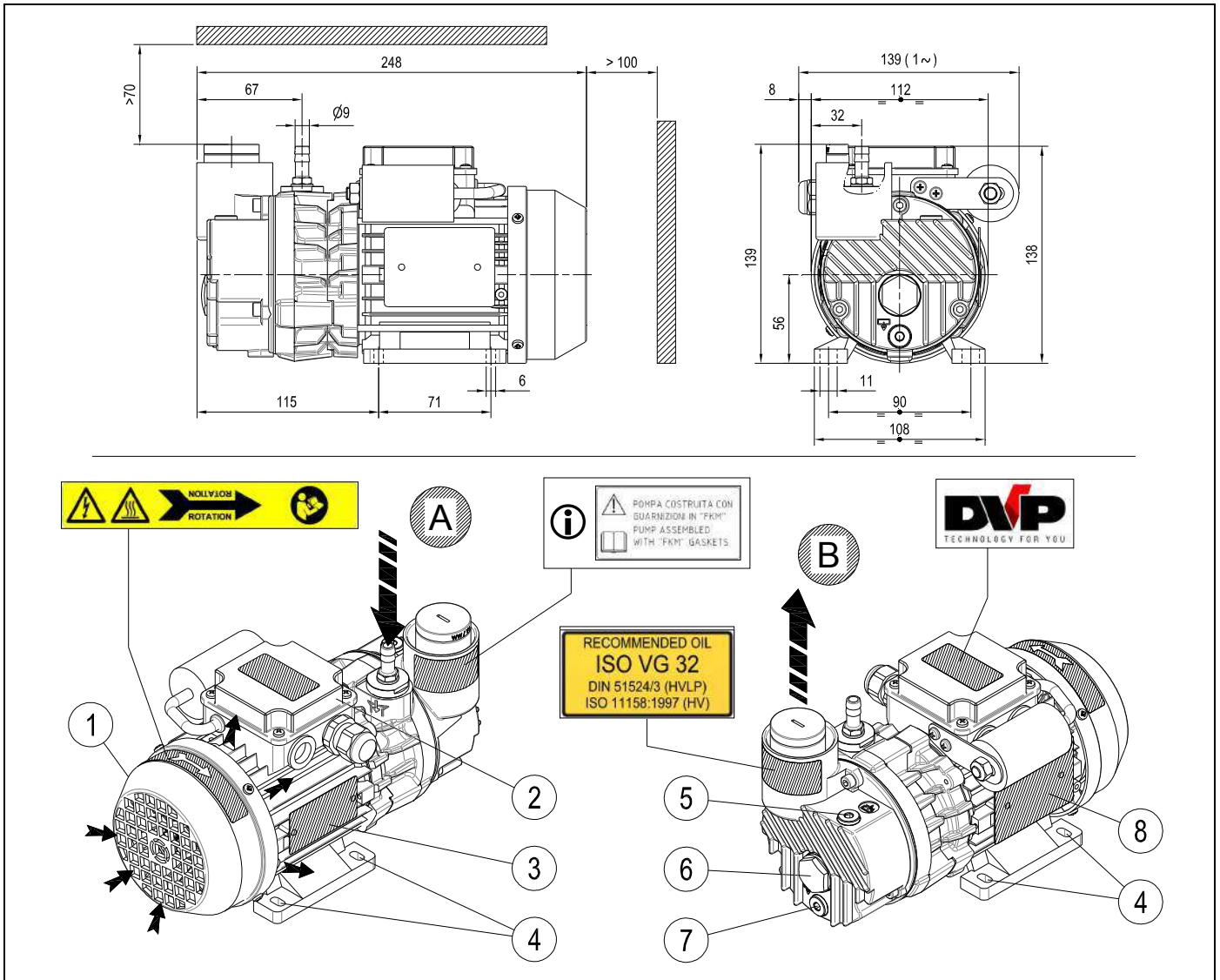


ATENCIÓN

Contactar al fabricante para asegurarse que el gas agresivo esté dentro de aquellos con los cuales la bomba puede trabajar.

3.3 DIMENSIONES Y CARACTERÍSTICAS

3.3.1 Modelo: LC.2 – LC.4



A	Aspiración
B	Descarga aire
1	Protección ventilador motor
2	Caja de bornes

3	Placa de identificación
4	Punto de sujeción
5	Tapón carga aceite
6	Indicador nivel aceite

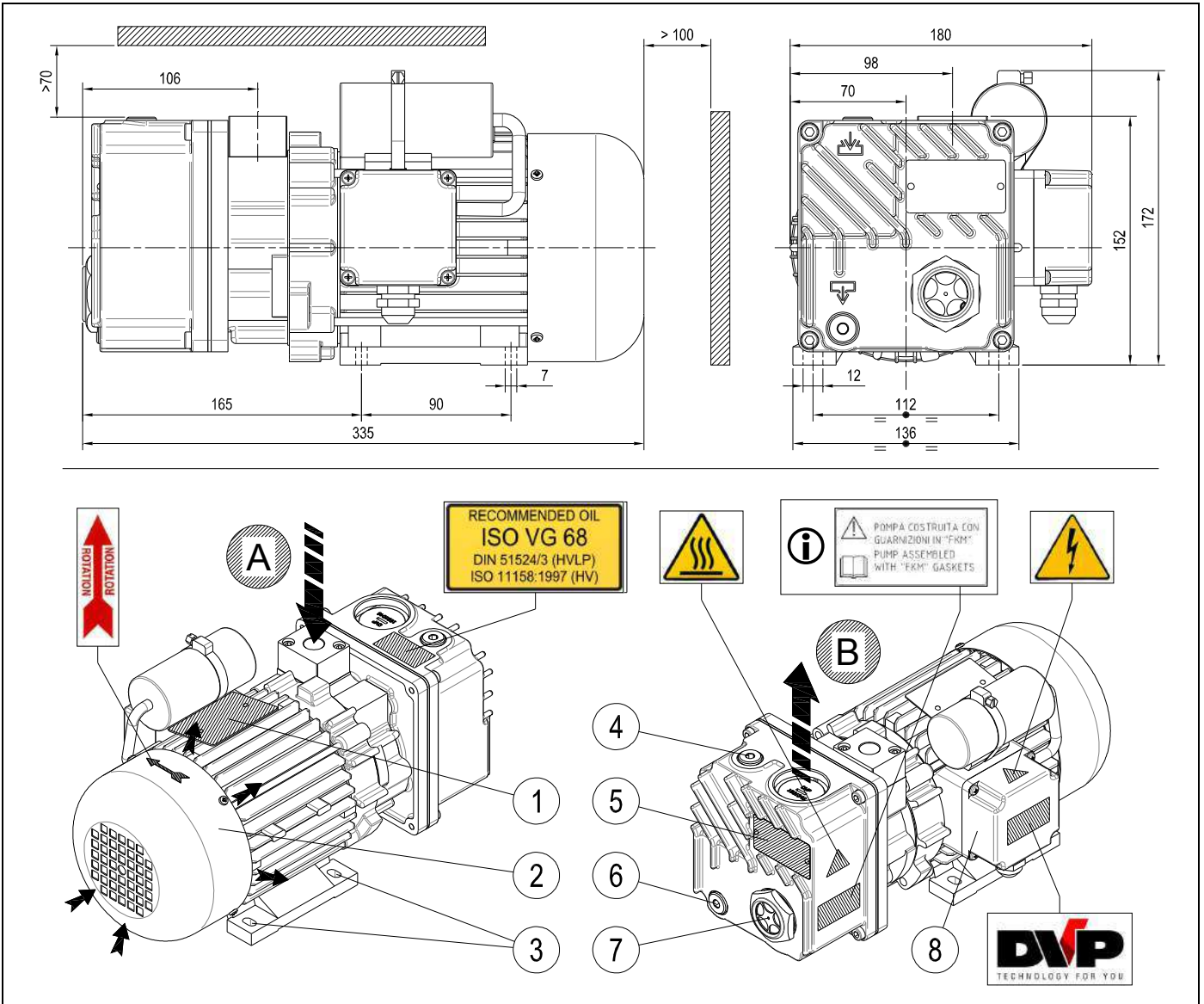
7	Tapón descarga aceite
8	Placa motor
ⓘ	Presente sólo en versiones especiales

CARACTERÍSTICAS TÉCNICAS

		LC.2		LC.4	
		50 Hz	60 Hz	50 Hz	60 Hz
Caudal	m³/h	2	2,5	4	4,8
Presión final (Abs.)	mbar - hPa	10		2	
Presión Max de aspiraci3n de vapor de agua	mbar - hPa	----			
Cant. Max de vapor de agua	kg/h	----			
Potencia motor	kW (1~ / 3~)	0,12 / 0,12	0,15 / 0,15	0,12 / 0,12	0,15 / 0,15
Numero de revoluciones nominales	n/min	2800	3300	2800	3300
Nivel de presi3n sonora (UNI EN ISO 2151) (K 3dB)	dB(A)	48	52	48	52
Peso	kg (1~ / 3~)	5,4 / 5,4			
Tipo de aceite	cod. DVP	BV32 (SW40)			
Carga de aceite	dm³	0,065			
Aspiraci3n / Descarga bomba		Ø9mm (1/8" G) / ---			
Sector de trabajo en continuo (Abs.)	mbar - hPa	500 ÷ 10		----	
Temperatura de funcionamiento (temp. ambiente 20°C)	°C	50 ÷ 55	55 ÷ 60	50 ÷ 55	55 ÷ 60
Temperatura ambiente de trabajo necesaria	°C	12 ÷ 40			
Temperatura de almacenamiento/transporte	°C	-20 ÷ 50			
MAX. humedad / altitud		80% / 1000m s.n.m. *			

(*) Para condiciones ambientales diferentes de las prescritas contactar con el Fabricante.

3.3.2 Modelo: LB.5



A	Aspiración
B	Descarga aire
1	Placa motor
2	Protección ventilador motor

3	Punto de sujeción
4	Tapón carga aceite
5	Placa de identificación
6	Tapón descarga aceite

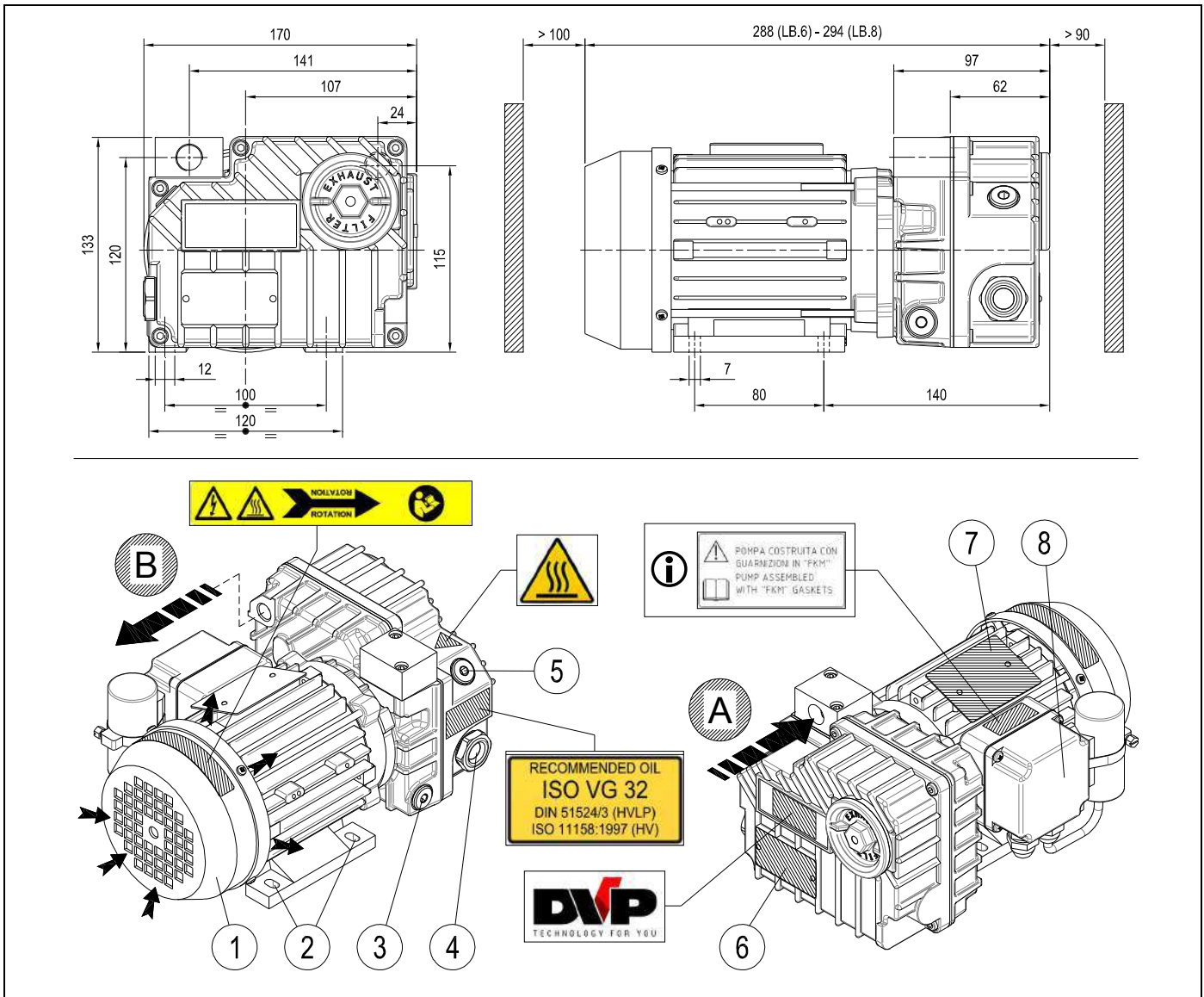
7	Indicador nivel aceite
8	Caja de bornes
i	Presente sólo en versiones especiales

CARACTERÍSTICAS TÉCNICAS

		LB.5	
		50 Hz	60 Hz
Caudal	m ³ /h	5	6
Presión final (Abs.)	mbar - hPa	10	
Presión M _á x de aspiración de vapor de agua	mbar - hPa	30	
Cant. M _á x de vapor de agua	kg/h	0,11	
Potencia motor	kW (1~ / 3~)	0,25 / 0,37	0,25 / 0,45
Número de revoluciones nominales	n/min	1400	1700
Nivel de presión sonora (UNI EN ISO 2151) (K 3dB)	dB(A)	58	60
Peso	kg (1~ / 3~)	13,0 / 11,5	
Tipo de aceite	cod. DVP	BV68 (SW60)	
Carga de aceite	dm ³	0,20	
Aspiración / Descarga bomba	"G	3/8	
Sector de trabajo en continuo (Abs.)	mbar - hPa	400 ÷ 10	
Temperatura de funcionamiento (temp. ambiente 20°C)	°C	65 ÷ 70	70 ÷ 75
Temperatura ambiente de trabajo necesaria	°C	12 ÷ 40	
Temperatura de almacenamiento/transporte	°C	-20 ÷ 50	
MÁX. humedad / altitud		80% / 1000m s.n.m. *	

(*) Para condiciones ambientales diferentes de las prescritas contactar con el Fabricante.

3.3.3 Modelo: LB.6 – LB.8



A	Aspiración
B	Descarga aire
1	Protección ventilador motor
2	Punto de sujeción

3	Tapón descarga aceite
4	Indicador nivel aceite
5	Tapón carga aceite
6	Placa de identificación

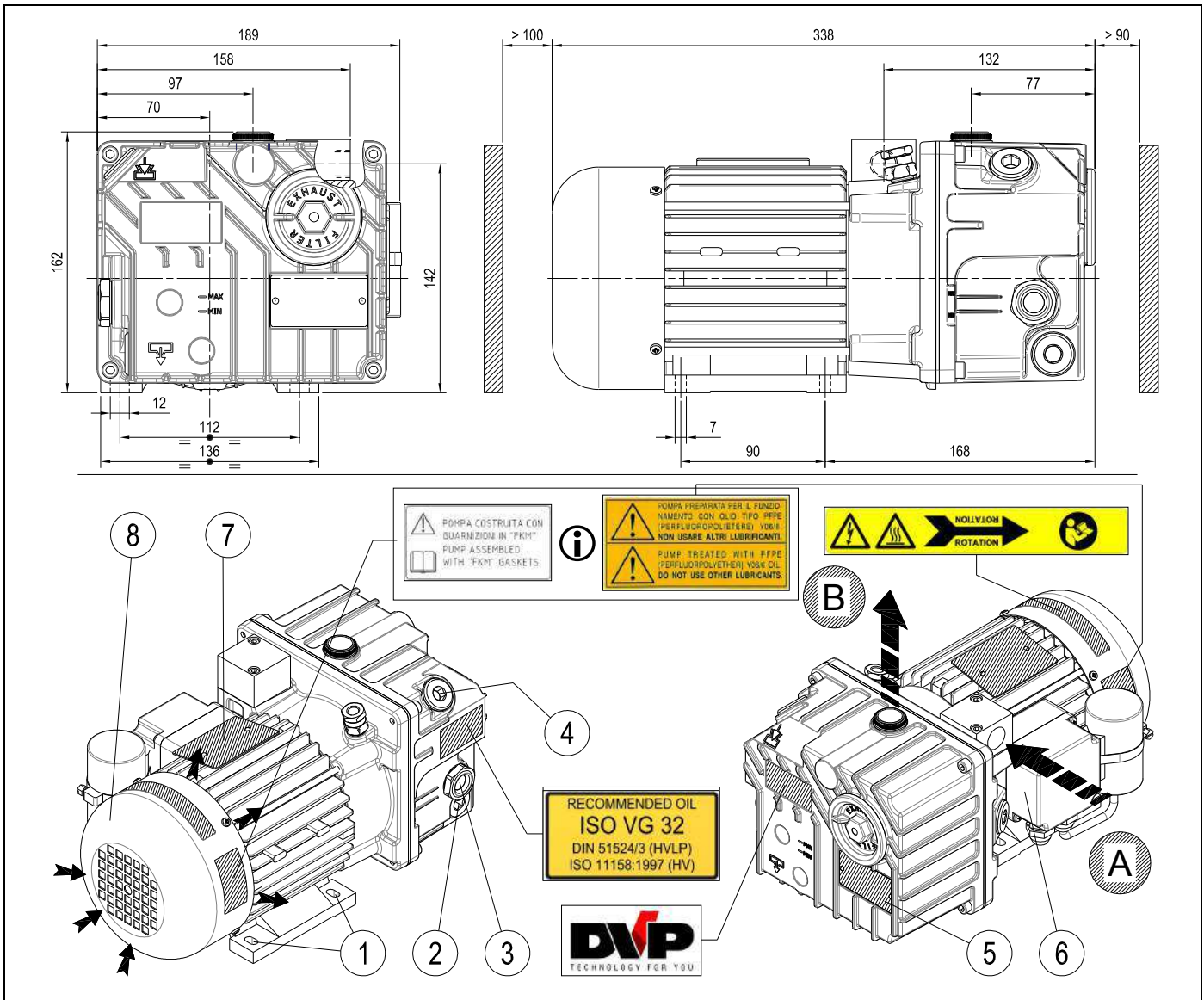
7	Placa motor
8	Caja de bornes
ⓘ	Presente sólo en versiones especiales

CARACTERÍSTICAS TÉCNICAS

		LB.6		LB.8	
		50 Hz	60 Hz	50 Hz	60 Hz
Caudal	m ³ /h	6	7	8	9
Presión final (Abs.)	mbar - hPa	2			
Presión M _á x de aspiración de vapor de agua	mbar - hPa	----			
Cant. M _á x de vapor de agua	kg/h	----			
Potencia motor	kW (1~ / 3~)	0,25 / 0,25	0,30 / 0,30	0,25 / 0,25	0,30 / 0,30
Número de revoluciones nominales	n/min	2800	3300	2800	3300
Nivel de presión sonora (UNI EN ISO 2151) (K 3dB)	dB(A)	58	60	58	60
Peso	kg (1~ / 3~)	10,0 / 9,0			
Tipo de aceite	cod. DVP	BV32 (SW40)			
Carga de aceite	dm ³	0,20			
Aspiración / Descarga bomba	"G	3/8			
Sector de trabajo en continuo (Abs.)	mbar - hPa	----			
Temperatura de funcionamiento (temp. ambiente 20°C)	°C	65 ÷ 70	70 ÷ 75	70 ÷ 75	75 ÷ 80
Temperatura ambiente de trabajo necesaria	°C	12 ÷ 40			
Temperatura de almacenamiento/transporte	°C	-20 ÷ 50			
MÁX. humedad / altitud		80% / 1000m s.n.m. *			

(*) Para condiciones ambientales diferentes de las prescritas contactar con el Fabricante.

3.3.4 Modelo: LC.12



A	Aspiración
B	Descarga aire
1	Punto de sujeción
2	Tapón descarga aceite

3	Indicador nivel aceite
4	Tapón carga aceite
5	Placa de identificación
6	Caja de bornes

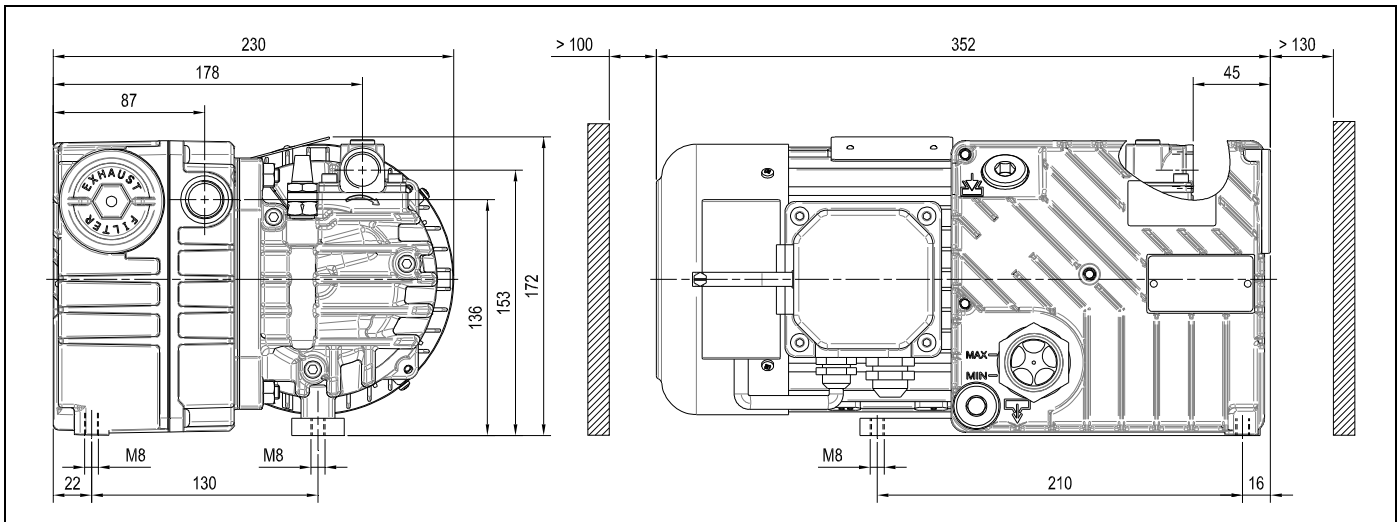
7	Placa motor
8	Protección ventilador motor
i	Presente sólo en versiones especiales

CARACTERÍSTICAS TÉCNICAS

		LC.12	
		50 Hz	60 Hz
Caudal	m³/h	12	14
Presión final (Abs.)	mbar - hPa	2	
Presión MÀx de aspiración de vapor de agua	mbar - hPa	35	
Cant. MÀx de vapor de agua	kg/h	0,3	
Potencia motor	kW (1~ / 3~)	0,45 / 0,37	0,55 / 0,45
Número de revoluciones nominales	n/min	2800	3300
Nivel de presión sonora (UNI EN ISO 2151) (K 3dB)	dB(A)	62	64
Peso	kg (1~ / 3~)	14,0 / 12,5	
Tipo de aceite	cod. DVP	BV32 (SW40)	
Carga de aceite	Min÷Max dm³	0,30 ÷ 0,40	
Aspiración / Descarga bomba	"G	1/2	
Sector de trabajo en continuo (Abs.)	mbar - hPa	400 ÷ 2	
Temperatura de funcionamiento (temp. ambiente 20°C)	°C	60 ÷ 65	65 ÷ 70
Temperatura ambiente de trabajo necesaria	°C	12 ÷ 40	
Temperatura de almacenamiento/transporte	°C	-20 ÷ 50	
MÀX. humedad / altitud		80% / 1000m s.n.m. *	

(*) Para condiciones ambientales diferentes de las prescritas contactar con el Fabricante.

3.3.5 Modelo: LC.20



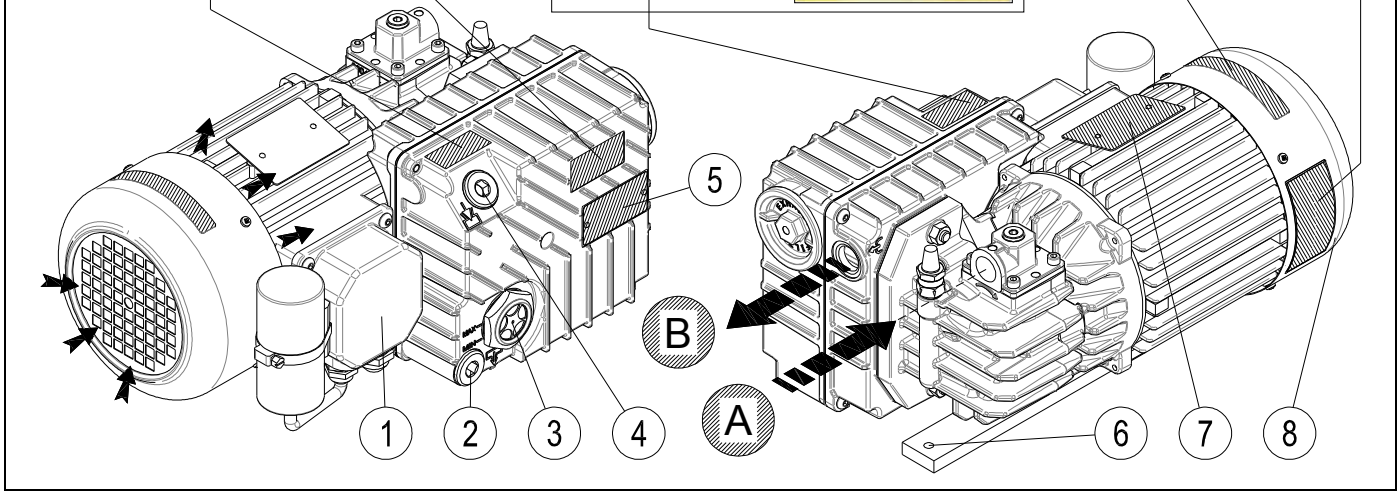
RECOMMENDED OIL
ISO VG 32
 DIN 51524/3 (HVLP)
 ISO 11158:1997 (HV)



⚠ POMPА COSTRUITA CON GUARNIZIONI IN "FKM"
 PUMP ASSEMBLED WITH "FKM" GASKETS.



⚠ POMPА ПРЕПАРАТА ПЕР Л ПУНДО НАМЕНТО С ОЛЮ ТИПО ПРРЕ (ПЕРФЛУОРОПОЛІЕТЕРЕ) / VDS8
 ⚠ NON USARE ALTRI LUBRIFICANTI!
 ⚠ PUMP TREATED WITH PTFE (PERFLUOROPOLYETHER) VS88 OIL
 ⚠ DO NOT USE OTHER LUBRICANTS



A	Aspiración
B	Descarga aire
1	Caja de bornes
2	Tapón descarga aceite

3	Indicador nivel aceite
4	Tapón carga aceite
5	Placa de identificación
6	Punto de sujeción

7	Placa motor
8	Protección ventilador motor
ⓘ	Presente sólo en versiones especiales

CARACTERÍSTICAS TÉCNICAS

		LC.20	
		50 Hz	60 Hz
Caudal	m³/h	20	24
Presión final (Abs.)	mbar - hPa	2	
Presión MÀx de aspiración de vapor de agua	mbar - hPa	15	
Cant. MÀx de vapor de agua	kg/h	0,25	
Potencia motor	kW (1~ / 3~)	0,75 / 0,75	0,90 / 0,90
Número de revoluciones nominales	n/min	2800	3300
Nivel de presión sonora (UNI EN ISO 2151) (K 3dB)	dB(A)	64	67
Peso	kg (1~ / 3~)	19,0 / 17,0	
Tipo de aceite	cod. DVP	BV32 (SW40)	
Carga de aceite	Min+Max dm³	0,45 ÷ 0,50	
Aspiración / Descarga bomba	"G	1/2	
Sector de trabajo en continuo (Abs.)	mbar - hPa	400 ÷ 2	
Temperatura de funcionamiento (temp. ambiente 20°C)	°C	60 ÷ 65	65 ÷ 70
Temperatura ambiente de trabajo necesaria	°C	12 ÷ 40	
Temperatura de almacenamiento/transporte	°C	-20 ÷ 50	
MÀX. humedad / altitud		80% / 1000m s.n.m. *	

(*) Para condiciones ambientales diferentes de las prescritas contactar con el Fabricante.

3.4 EMISIÓN SONORA

La bomba ha sido diseñada y fabricada para disminuir la fuente de ruido. Los valores de presión acústica descritos en la tabla de características técnicas han sido registrados con el máximo vacío y la descarga respectiva, de conformidad con la norma UNI EN 2151.

4 INSTALACIÓN

4.1 RECEPCIÓN Y CONTROL DEL CONTENIDO

En el momento de la entrega de la bomba es necesario controlar que el embalaje esté íntegro y no presente evidentes signos de deterioro durante el transporte o el almacenamiento. Una vez controlado el producto, proceder al desembalaje y a la revisión de la bomba.

Si en cambio se registran daños en el embalaje, es necesario informar inmediatamente al transportista y al fabricante.

Siempre debe controlarse que el material recibido corresponda al relacionado en el documento de entrega.

El embalaje debe retirarse adoptando las precauciones necesarias para evitar daños a las personas y al mismo contenido.

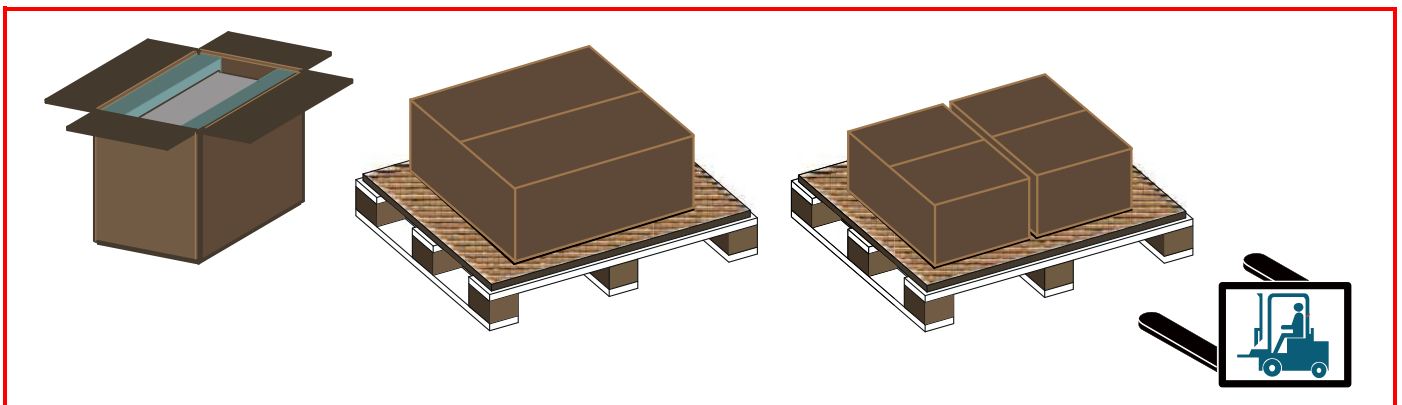
4.2 EMBALAJE

Según el tipo de bomba, dimensiones y modo de transporte, el embalaje se puede realizar en:

- cartón con material de relleno;
- plataforma de madera con revestimiento en cartón;
- cartón colocado sobre plataforma y película de protección.

La madera de la plataforma es reutilizable o reciclable conforme a las leyes vigentes del país donde se instala la bomba. Los demás materiales, como cartón, plástico o película protectora deben eliminarse de acuerdo con las normativas vigentes.

No quemar ni tirar en el ambiente el material de embalaje.



4.3 TRANSPORTE Y MANIPULACIÓN



PELIGRO

Las operaciones de transporte, elevación y manipulación deben ser efectuadas por personal experto y calificado.

La bomba puede levantarse y manipularse con carros elevadores o con medios de elevación (cables, ganchos, etc.) que sean adecuados para el peso que se describe en la tabla de datos técnicos o en la placa de identificación. La manipulación y el transporte manual sólo pueden realizarse en los casos contemplados por las normas locales.



ATENCIÓN

Para el transporte se recomienda preparar la bomba en la forma como se describe en el capítulo siguiente, y vaciar el aceite del depósito (ver apartado “Sustitución aceite”).

4.4 ALMACENAMIENTO

Vaciar el aceite que está dentro de la bomba y cerrar la aspiración y la descarga con las respectivas protecciones. Las bombas deben almacenarse en los respectivos embalajes y conservarse en lugares cubiertos, secos y protegidos, y no exponerse a los rayos solares ni a las temperaturas indicadas en la tabla de características técnicas.

En el caso de largos períodos de estancia en almacén o de salida de producción con consiguiente almacenamiento, es preciso que el lugar elegido cumpla con las características indicadas en el capítulo 3 (Descripción de la bomba), para mantener la eficiencia y la funcionalidad de las partes de goma y de las juntas de

labio, se recomienda poner en función la bomba por lo menos durante 30 minutos cada 6 meses, con la boca de aspiración cerrada, siguiendo todas las indicaciones y prescripciones presentes en este manual, prestando mucha atención a las que están indicadas en el capítulo 5 (Instrucción de uso). El incumplimiento de esta prescripción podría ocasionar el deterioro de las partes de goma con consiguiente pérdida de aceite a lo largo del funcionamiento.

4.5 CONDICIONES AMBIENTALES

La bomba debe instalarse y ponerse a funcionar en local cubierto y con buena iluminación. La zona donde se instala debe cumplir con los requisitos relacionados con las distancias, circulación de aire y respetar las prescripciones exigidas por la respectiva normativa.

Temperatura, Humedad y Altitud

Los valores límites correspondientes se indican en la tabla de las características técnicas (capítulo 3.3). Para condiciones ambientales diferentes de las prescritas contactar con el Fabricante.

Iluminación

Las zonas deben iluminarse de manera uniforme y suficiente, con el fin de que se garanticen las operaciones previstas en el manual, sin sombras, reflejos, deslumbramiento y fatiga visual.

4.6 INSTALACIÓN DE LA BOMBA

Para asegurar un buen funcionamiento, la bomba debe ser instalada y posicionada de la siguiente manera:

- Dejar un espacio suficiente en los lados perimetrales de la bomba, manteniendo libre el lado de ventilación del motor.
- Comprobar que el espacio libre contiguo a la bomba permita un acceso fácil para la revisión o el mantenimiento, así como para los medios de elevación.
- La bomba dispone de puntos de sujeción, por lo tanto, la fijación debe realizarse en un plano completamente horizontal para evitar vuelcos en caso de transporte del sistema usuario.
- Algunos modelos disponen de antivibradores de goma, instalados cerca a los puntos de sujeción de la bomba; no obstante para los que no cuentan con este dispositivo su instalación puede realizarse como accesorio para que la bomba no transmita vibraciones.
- Asegurarse que exista circulación de aire en el local o dentro de la máquina donde se instala la bomba, con el fin de evitar que el aire proveniente de la descarga o de los ventiladores de enfriamiento puedan ocasionar incomodidades al personal.



ATENCIÓN

No instalar la bomba en zona donde existan polvos o materiales que pueden obstruir o cubrir rápidamente las superficies de enfriamiento.

4.7 SISTEMA USUARIO

Durante la instalación, asegurarse que el sistema usuario no se contamine con sustancias nocivas.

Instalar una válvula de aislamiento entre la bomba y el sistema si se desea que éste permanezca vacío incluso con la bomba apagada.

Asegurarse que no se transmitan vibraciones o cargas en las conexiones de la bomba o sobre la misma bomba.

4.8 CONEXIÓN



PELIGRO

Las conexiones de la bomba deben ser efectuadas solamente por personal calificado y con la debida experiencia.

4.8.1 CONEXIONES DE LA ASPIRACIÓN Y LA DESCARGA

La conexión al sistema usuario (aspiración o descarga) debe realizarse con tubería de diámetro igual o mayor al de la boca de aspiración de la bomba. El peso de la tubería y las posibles extensiones no deben cargarse sobre la bomba. Se recomienda efectuar la conexión final de la bomba con tubos o uniones flexibles. Es importante que toda la tubería y los acoples sean de estanqueidad. La tubería muy larga o de tamaño muy pequeño disminuye el rendimiento de la bomba.



PELIGRO

Evitar que los gases de descarga permanezcan en el ambiente de trabajo.



ATENCIÓN

Utilizar filtro de aspiración, sobre todo cuando la bomba trabaja con fluidos no limpios.

El gas de descarga de la bomba debe tratarse correctamente para que no contamine el ambiente de trabajo y la atmósfera circundante. Si se aspiran vapores condensables, es necesario que la condensación que se forma en la línea de descarga no se acumule ni tampoco retorne a la bomba, por tal razón la tubería debe descender y no tener curvas. Evitar tubos de goma con refuerzo de tela, diámetros muy pequeños (nunca menores del diámetro de la boca de aspiración o descarga), demasiado largos, curvas estrechas y frecuentes.

ATENCIÓN

No colocar en la tubería de descarga uniones o dispositivos que obstruyan o impidan la eliminación de los gases de descarga (máx. sobrepresión a la descarga 0,3 bar).

4.8.2 CONEXIÓN ELÉCTRICA**ATENCIÓN**

Comprobar que la tensión y la frecuencia de alimentación correspondan con los valores indicados en la placa del motor.

El cable de conexión debe ser apropiado para la potencia que absorbe la bomba (los valores de absorción de la bomba están descritos en la placa del motor) y las condiciones ambientales de funcionamiento.

**PELIGRO**

Realizar siempre la conexión de toma de tierra de la bomba.

Instalar siempre un sistema de protección eléctrico entre la bomba y la red de alimentación; los valores de absorción de la bomba están descritos en la placa del motor.

Normalmente la bomba se suministra sin cable eléctrico e interruptor; para la conexión a la red eléctrica consultar el esquema eléctrico que se encuentra dentro de la caja de bornes o en la placa del motor.

ATENCIÓN

Controlar el correcto sentido de rotación del motor antes de poner en servicio la bomba por primera vez, o después de haber cambiado las conexiones eléctricas.

El sentido de rotación correcto es el que muestra la flecha colocada en la bomba (ver cap. 3.3.). Si la bomba se pone a funcionar con un sentido de rotación diferente puede sufrir graves daños.

5 INSTRUCCIONES DE USO

5.1 FUNCIONAMIENTO

Controles antes del encendido:

- La bomba se entrega sin aceite lubricante en su interior, por lo tanto usar el aceite de equipamiento o cualquier otro de los indicados en la placa de la bomba (ver cap. 3.3.), o uno que tenga características análogas.
- Controlar que la descarga de la bomba no se encuentre obstruida por las conexiones.

ATENCIÓN



Una cantidad de aceite superior al permitido puede provocar la obstrucción de los depósitos de aceite y dañar la bomba o el motor eléctrico.

El funcionamiento sin aceite lubricante ocasiona graves daños a la bomba.

5.1.1 LLENADO DEL DEPÓSITO DE ACEITE



ATENCIÓN

Al llenar el depósito de aceite no superar el nivel máximo admitido.

- Destornillar el tapón de carga aceite;
- Versar el aceite en el depósito hasta que el nivel alcance la mitad del indicador;
- Cerrar el tapón de carga;
- Quitar eventuales goteos de aceite de la bomba y/o del suelo.

5.1.2 ENCENDIDO



PELIGRO

La bomba puede alcanzar temperaturas elevadas durante el funcionamiento.

Después del encendido, la bomba puede funcionar con un régimen de rotación menor al normal si la temperatura ambiente es inferior a la descrita en la tabla de datos técnicos, si el aceite está contaminado, o si la tensión de alimentación es inferior a la indicada en la placa del motor.

Si el régimen de rotación no alcanza el valor nominal en pocos segundos, deberá activarse el sistema de protección eléctrico instalado como protección de la bomba (ver apartado "Conexión Eléctrica").

ATENCIÓN



En caso de aspiración de vapores de agua, es indispensable, antes de iniciar el ciclo de trabajo, poner la bomba a temperatura de régimen, haciéndola funcionar unos 30 min. con la boca de aspiración cerrada y aislada del sistema de vapores de agua.

ATENCIÓN



Asegurarse que la bomba trabaje con los valores de presión permitidos, evite que la bomba funciones por largos períodos con la boca de aspiración totalmente abierta

PELIGRO



El funcionamiento estable de la bomba debe producirse sin vibraciones ni ruidos anormales. Si se presentan, detener inmediatamente la bomba, detectar la causa y eliminarla.

5.1.3 PARADA

La bomba se para interrumpiendo la alimentación eléctrica del motor.

En caso de desconexión de la bomba, se recomienda dejarla funcionando con la aspiración cerrada por 30 min. aprox.

Esta operación permite eliminar la condensación en la cámara de aspiración, evitando que el rotor se oxide.

En caso de paradas prolongadas, vaciar completamente la bomba para evitar heladas durante la temporada de frío, o la corrosión por la posible alteración química del líquido retenido en la misma.

5.1.4 BOMBAS DE VAPOR DE AGUA

Durante el funcionamiento en presencia de vapor la bomba aspira una mezcla de aire y agua, que entra en la bomba y después en el depósito de aceite.

El vapor de agua aspirado es expulsado de la bomba por efecto del calor generado por la misma durante su funcionamiento. En los modelos LB.5 , LC.12 , Y LC.20 lleva incorporado el gast-ballast que se encuentra permanentemente conectado y asegura un flujo de aire en la cámara de la bomba, favoreciendo la expulsión del vapor de agua aspirado antes de la condensación en el aceite de lubricación.

Por este motivo, es imprescindible, antes de iniciar el ciclo de trabajo en presencia del vapor de agua en el aire aspirado, llevar la bomba a la temperatura de trabajo haciéndola trabajar cerca de 30 minutos con la boca de aspiración cerrada y aislada de la instalación.

6 MANTENIMIENTO

6.1 ADVERTENCIAS GENERALES

Para un buen mantenimiento es importante:

- Controlar enseguida las causas de las anomalías (ruido excesivo, recalentamiento, etc.),
- Poner mucha atención a los dispositivos de seguridad,
- Consultar toda la documentación entregada por el fabricante (manual de uso, esquemas eléctricos, etc.),
- Utilizar solamente herramienta y vestuario apropiado para el trabajo, así como repuestos originales.

En caso de dudas o falta de comprensión de la información o el procedimiento que contiene este capítulo, dirigirse a D.V.P. Vacuum Technology s.p.a. antes de iniciar las operaciones.



PELIGRO

No realizar ninguna clase de operación, sustitución y/o reparación que no esté contemplada en este manual.



Cualquier clase de intervención técnica debe ser realizada por personal autorizado y capacitado, con suficiente experiencia en este tipo de operaciones.



PELIGRO

Todas las operaciones de mantenimiento deben realizarse con la bomba desconectada de las fuentes de energía. No manipular la bomba hasta que la misma no haya alcanzado una temperatura que no genere peligros para el operador.



PELIGRO

En caso en que el mantenimiento de la bomba se realice incumpliendo las instrucciones descritas, o con repuestos no originales, afectando su integridad o modificando sus características, D.V.P. Vacuum Technology s.p.a. no asumirá ninguna responsabilidad por los daños que se le ocasionen a las personas o por el funcionamiento defectuoso de la bomba.

6.2 TABLA DE INTERVENCIONES

La siguiente tabla describe las operaciones periódicas que son necesarias para mantener en perfecto estado la bomba.

TIPO DE OPERACIÓN	FRECUENCIA	NIVEL DEL OPERADOR
Control nivel aceite	24 h	
Cambio aceite	500 h	
Limpieza protección ventilador motor y limpieza general bomba	1000 h	
Cambio filtro depurador	2000 h	
Cambios paletas	10000 h	

Mantenimientos más frecuentes pueden ser necesarios según el tipo de uso (altas temperaturas de los gases aspirados o presencia de vapores condensables en los gases aspirados, etc.).

6.2.1 CONTROL NIVEL ACEITE

Controlar que el nivel de aceite esté en la mitad del indicador de nivel, en caso contrario proceder según las instrucciones del apartado siguiente.

Controlar el estado del aceite, si está oscuro o turbido significa que está contaminado por sustancias aspiradas y debe cambiarse.

6.2.2 CAMBIO ACEITE

Para cambiar el aceite realizar lo siguiente:

- Encender la bomba y con la boca de aspiración cerrada por 10 minutos aprox. dejar que el aceite adquiera mayor fluidez;
- Detener la bomba y desconectarla de la red de alimentación;
- Destornillar el tapón de llenado;
- Colocar un contenedor con capacidad suficiente para contener todo el aceite y luego abrir el tapón de descarga de aceite;

- Dejar salir todo el aceite;
- Cerrar el tapón de descarga e introducir el aceite nuevo en el orificio de llenado hasta que el nivel alcance la mitad del indicador;
- Cerrar el tapón de carga aceite;
- Quitar eventuales goteos de aceite de la bomba y/o del suelo.
- Restablecer la conexión con la red de alimentación y controlar el sentido correcto de rotación de la bomba (ver cap. 3.3.);
- Accionar por unos minutos la bomba con la aspiración cerrada y restablecer el nivel de aceite si es necesario.



PELIGRO

Para efectuar esta operación colocarse los dispositivos de protección adecuados.



PELIGRO

Para la recogida y la eliminación del aceite usado o contaminado, seguir lo dispuesto por las normativas locales en vigor.

6.2.3 LIMPIEZA PROTECCIÓN VENTILADOR Y LIMPIEZA GENERAL

La limpieza del radiador, del protector del ventilador del motor y de bomba es necesaria para eliminar los depósitos de polvo. Para esta operación utilizar aire comprimido o paño seco si es necesario. No utilizar líquidos u otras sustancias diferentes a las indicadas.



PELIGRO

Para efectuar esta operación colocarse los dispositivos de protección adecuados.

6.2.4 CAMBIO FILTRO DEPURADOR

La sustitución del filtro depurador a la salida debe de realizarse cuando está obstruido, dañado o cuando indica en la tabla del cap. 6.2. Para la sustitución utilizar solo filtro depurador original, presente en el kit del filtro depurador (ver cap.6.3). El uso de material no original comportará el daño de la bomba.

Sintomas del filtro depurador obstruido o dañado son el elevado humo de la bomba, el elevado ruido o el elevado consumo del motor eléctrico (ver cap.9 puntos C,E). Se puede determinar el estado de obstrucción del filtro depurador midiendo el AP generado desde el mismo filtro con la bomba caliente. En las bombas dotadas de puerta para medir AP se puede medir el valor a través de un manómetro o el accesorio SIF2 conectado a esta puerta. En las bombas provistas de tal puerta es posible conectar un manómetro o el accesorio SIF2 en la posición del tapón de carga de aceite. En bomba funcionando, con aceite caliente, el filtro resulta estar obstruido si el valor del AP medido con la boca de aspiración de la bomba completamente abierta es superior a 0,7bar relativos (sobre el nivel del mar); si esto sucede, el filtro debe de reemplazarse.

6.2.5 CAMBIO DE LAS PALETAS

Las instrucciones para el cambio de las paletas están disponibles bajo pedido.

6.3 REPUESTOS

Se recomienda sustituir las partes que componen la bomba utilizando **Repuestos Originales**.

Para la compra de repuestos citar el modelo y el número de serie de la bomba (que están en los datos de la placa de identificación), así como el código de la pieza.

DESCRIPCIÓN	LC.2	LC.4	LB.5	LB.6	LB.8	LC.12	LC.20
Kit filtro depurador	K9601069	K9601070	K9601062	K9601058	K9601055	K9601064	K9601066
Kit mantenimiento	K9601069/1	K9601070/1	K9601062/1	K9601058/1	K9601055/1	K9601064/1	K9601066/1
Aceite 0,25 dm ³	8811025 (BV32) 8831025 (SW40)		8812025 (BV68) 8832025 (SW60)		8811025 (BV32) 8831025 (SW40)		
Aceite 0,5 dm ³	8811050 (BV32) 8831050 (SW40)		8812050 (BV68) 8832050 (SW60)		8811050 (BV32) 8831050 (SW40)		
Aceite 1 dm ³	8811100 (BV32) 8831100 (SW40)		8812100 (BV68) 8832100 (SW60)		8811100 (BV32) 8831100 (SW40)		
Indicador nivel aceite	1105005		1105004	1105009		1105004	
Válvula de retención	De serie						

D.V.P. Vacuum Technology s.p.a. no asume ninguna responsabilidad por el rendimiento defectuoso de la bomba o por daños que sufra la misma debido al uso de partes de repuesto no originales.

7 DEVOLUCIÓN DE LA BOMBA

La bomba no puede devolverse sin el consentimiento previo del proveedor, quien indicará el número de la autorización que debe anexarse con el respectivo material la cual además debe diligenciarse en todas sus partes.

8 ELIMINACIÓN

La eliminación de la bomba debe ser efectuada por técnicos autorizados.

Las partes metálicas se pueden eliminar como chatarra ferrosa.

De todas maneras, todos los materiales de desguace deben ser eliminados conforme a las normativas vigentes en el país de uso.



PELIGRO

Durante las operaciones de mantenimiento persisten los riesgos de corte, proyección de fragmentos, contactos con partes móviles y con productos químicos. Los operadores encargados de esta labor deben utilizar los dispositivos de protección individual apropiados.

9 DETECCIÓN DE FALLOS

PROBLEMAS	CAUSAS	SOLUCIONES
(A) La bomba no funciona	Falta de tensión	Conectar la alimentación eléctrica
	Interruptor térmico activado	Controlar las causas que lo han generado y activar el interruptor
	Temperatura ambiente demasiado baja	Llevar la temperatura ambiente al nivel permitido
	Bobina motor dañada	Ponerse en contacto con el servicio de asistencia
(B) La bomba no alcanza el vacío declarado	Aceite insuficiente en el depósito	Agregar aceite
	Aceite contaminado	Sustituir el aceite
	Descarga obstruida	Controlar las conexiones en la descarga
(C) La bomba es ruidosa	Filtro de depuración deteriorado	Sustituir filtro depurador
	Cojinetes averiado	Ponerse en contacto con el servicio de asistencia
	Paletas deterioradas	Ponerse en contacto con el servicio de asistencia
(D) Temperatura de la bomba elevada	Aceite inadecuado	Cambiar aceite
	Insuficiente ventilación ambiental	Instalar ventilador auxiliar
	Ventilador motor roto	Ponerse en contacto con el servicio de asistencia
	Alimentación motor incorrecta	Controlar la tensión de alimentación
	Descarga obstruida	Controlar las conexiones en la descarga
(E) Elevado consumo de aceite	Presión de ejercicio elevada (próxima a la presión atmosférica)	Mantener controlado el nivel de aceite
	Temperatura de la bomba elevada	Ver punto "D"
	Filtro de depuración deteriorado	Sustituir filtro depurador
(F) La bomba no permanece en vacío después de la desconexión	Válvula anti-retorno averiada (si está instalada)	Ponerse en contacto con el servicio de asistencia
(G) Pérdida de aceite de la bomba	Tornillos del depósito o tapones no ajustados	Apretar los tornillos o los tapones
	Junta depósito deteriorada	Ponerse en contacto con el servicio de asistencia
	Indicador de nivel no ajustado	Ajustar el indicador de nivel

CONDICIONES GENERALES DE VENTA

D.V.P. Vacuum Technology s.p.a. suministra productos dirigidos exclusivamente a clientes profesionales y, por ende, no se incluyen los consumidores.

TÉRMINOS DE LA GARANTÍA DE LOS PRODUCTOS

D.V.P. VacuumTechnology s.p.a. garantiza que el producto no tiene defectos de material y de fabricación durante un periodo de 24 meses de uso normal a partir de la fecha de envío; o bien, por un período de 6 meses de uso normal para los productos sometidos a reparaciones fuera de garantía.

Por uso normal, se entiende un ciclo de funcionamiento de 8 horas al día por un máximo de 5000 horas de funcionamiento en los 24 meses cubiertos por la garantía.

Por garantía se entiende la sustitución o reparación gratuita en la red de asistencia propia de las partes que componen el producto que resulten defectuosas en origen por defectos de fabricación.

En caso de reparaciones, D.V.P. Vacuum Technology s.p.a. garantiza, exclusivamente al propio comitente, piezas de repuesto idénticas durante 24 meses a partir de la fecha de envío. Superado dicho período, las piezas podrían dejar de encontrarse en el mercado; por lo tanto, las reparaciones, aunque estén dentro de la garantía, podrían requerir el pago de una diferencia entre el producto adquirido y el producto instalado durante la reparación. Se le indicará el precio al cliente para que lo conozca y acepte antes de realizar la reparación.

D.V.P. Vacuum Technology s.p.a. hará todo lo que se encuentre razonablemente en su poder para respetar los tiempos de asistencia y respuesta *standard* (20 días laborables), que podrán variar de acuerdo con la distancia y accesibilidad del lugar donde se encuentra el Producto y la disponibilidad de los componentes.

D.V.P. Vacuum Technology s.p.a. no se hará responsable por pérdidas directas o indirectas causadas por la ausencia de respeto de parte de D.V.P. Vacuum Technology s.p.a. en cuanto a los tiempos de asistencia, y no tendrá ninguna responsabilidad ni obligación contractual o civil por defectos de los Productos o por ausencia de reparación de defectos dentro de un período de tiempo razonable.

En caso de averías irreparables, el producto será sustituido. La sustitución determinará el proseguimiento de la garantía originaria sobre el nuevo producto, hasta el momento de su vencimiento.

No están cubiertas por la garantía todas las partes que resultasen defectuosas a causa de negligencia y/o descuidos en el uso (incumplimiento de las instrucciones para el funcionamiento del aparato, falta de mantenimiento), de instalación y/o mantenimiento erróneos, de mantenimiento realizado por personal no autorizado, de daños debidos al transporte ni de circunstancias que no puedan remontarse a defectos de fabricación del aparato.

La garantía no cubre todos los componentes del producto que hayan sido modificados o reparados sin la autorización previa y por escrito de D.V.P. Vacuum Technology s.p.a.

La garantía además no se extiende a los defectos derivados de un uso indebido, desgaste normal, corrientes galvánicas y electroestáticas, corrosiones químicas, alteración, sustitución o eliminación de la placa de identificación. La garantía no cubre, bajo ningún concepto, los defectos generados por causas externas tales como accidentes o casos fortuitos.

D.V.P. Vacuum Technology s.p.a. declina cualquier responsabilidad, ante cualquier persona, relativa a daños de cualquier índole o consecuencias de cualquier naturaleza y/o razón que pudiera derivar del empleo del Producto, ni por los defectos que el mismo pudiera presentar.

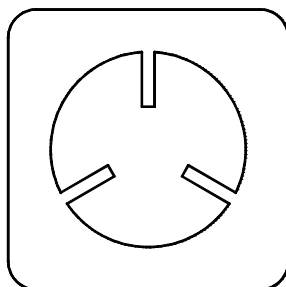
A título meramente ejemplificativo, declina toda responsabilidad:

- por eventuales daños que puedan, directa o indirectamente, derivarse a personas, animales o cosas, como consecuencia de la falta de respeto de todas las disposiciones indicadas en el correspondiente manual de uso y mantenimiento, especialmente las advertencias de materia de instalación, uso y mantenimiento del aparato;
- por eventuales daños y/o pérdidas causadas por defectos o deficiencias de los productos reparados por D.V.P. Vacuum Technology s.p.a.;
- por eventuales daños indirectos o consecuentes tales como, a título meramente ejemplificativo, pérdida de negocios, beneficios, salarios, honorarios, etc.;
- pérdidas que habrían podido ser evitadas por el cliente, si éste hubiera seguido los consejos e instrucciones de D.V.P. Vacuum Technology s.p.a.

La parte comitente renuncia, en todos los casos, a la reivindicación de cualquier derecho y/o pretensión, así como a levantar cualquier tipo de excepción y promover acciones de cualquier naturaleza inherentes al uso del Producto.

La garantía no se extiende a las partes de consumo o a los defectos derivados de: cartuchos filtrantes, paletas, membranas, anillos herméticos, así como a productos de terceros que compongan el producto final.

Los gastos de transporte, remoción y sucesiva reinstalación del producto reparado o sustituido se entienden completamente a cargo del cliente.



D.V.P. Vacuum Technology s.p.a.
Via Rubizzano, 627
40018 San Pietro in Casale (BO) – Italy
Ph +3905118897101
Fx +3905118897170
www.dvp.it

Cod. 8702036 – 12/04/2016 – R.7 – (ES)

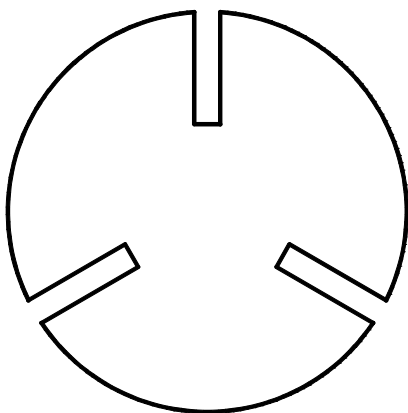


**VACUUM
TECHNOLOGY**



MANUEL D'UTILISATION ET D'ENTRETIEN
(Traduction des instructions originales)

**POMPES A VIDE LUBRIFIEES
AVEC RECIRCULATION**



**LC.2
LC.4
LB.5
LB.6
LB.8
LC.12
LC.20**

INDEX

1	INTRODUCTION	2
1.1	INFORMATIONS GENERALES	2
1.2	DONNEES DU FABRICANT	2
1.3	MODALITES DE CONSULTATION	2
1.4	QUALIFICATION DU PERSONNEL	2
1.5	DISPOSITIFS DE PROTECTION INDIVIDUELLE	2
1.6	PLAQUETTE D'IDENTIFICATION	3
2	SECURITE	3
2.1	AVERTISSEMENTS GENERAUX	3
2.2	RISQUES RESIDUELS	3
2.3	PICTOGRAMMES	4
3	DESCRIPTION POMPE	5
3.1	UTILISATION PREVUE ET CONTRE-INDICATIONS	5
3.1.1	UTILISATION PREVUE	5
3.1.2	CONTRE-INDICATIONS	5
3.2	VERSION FKM	5
3.3	DIMENSIONS ET CARACTERISTIQUES	6
3.3.1	Modele: LC.2 – LC.4	6
3.3.2	Modele: LB.5	7
3.3.3	Modele: LB.6 – LB.8	8
3.3.4	Modele: LC.12	9
3.3.5	Modele: LC.20	10
3.4	ÉMISSIONS SONORES	11
4	INSTALLATION	11
4.1	RICEPTION ET VERIFICATION DU CONTENU	11
4.2	EMBALLAGE	11
4.3	TRANSPORT ET MANUTENTION	11
4.4	STOCKAGE	11
4.5	CONDITIONS AMBIANTES	12
4.6	INSTALLATION DE LA POMPE	12
4.7	SYSTEME UTILISATEUR	12
4.8	BRANCHEMENTS	12
4.8.1	BRANCHEMENTS ASPIRATION ET EVACUATION	12
4.8.2	BRANCHEMENT ELECTRIQUE	13
5	INSTRUCTIONS D'UTILISATION	14
5.1	FONCTIONNEMENT	14
5.1.1	REPLISSAGE DU RESERVOIR D'HUILE	14
5.1.2	DEMARRAGE	14
5.1.3	ARRÊT	14
5.1.4	POMPAGE DE VAPEUR D'EAU	14
6	ENTRETIEN	15
6.1	AVERTISSEMENTS GENERAUX	15
6.2	TABLEAU DES INTERVENTIONS	15
6.2.1	CONTROLE DU NIVEAU DE L'HUILE	15
6.2.2	REPLACEMENT DE L'HUILE	15
6.2.3	NETTOYAGE PROTECTION VENTILATEUR DU MOTEUR ET NETTOYAGE GENERAL DE LA POMPE	16
6.2.4	REPLACEMENT DU FILTRE DESHUILEUR	16
6.2.5	REPLACEMENT DES PALETTES	16
6.3	PIECES DE RECHANGE	16
7	RETOUR DU PRODUIT	17
8	MISE AU REBUT	17
9	RECHERCHE PANNES	18

1 INTRODUCTION

1.1 INFORMATIONS GENERALES

Avec ce manuel nous souhaitons vous fournir toutes les informations importantes pour la sécurité des personnes employées à l'utilisation et à l'entretien de la pompe.

Le présent manuel, rédigé en langue originale ITALIEN, constitue partie intégrante de la pompe et doit être conservé soigneusement pendant toute la durée de vie de celle-ci; en cas de vente, de location, de prêt de la pompe le manuel doit être remis au nouvel utilisateur avec la Déclaration CE de conformité.

Il est interdit d'effectuer une quelconque opération sur la pompe avant d'avoir lu attentivement et compris toutes les instructions contenues dans ce manuel.

Les images contenues dans le présent manuel servent d'exemple et elles n'engagent pas le Fabricant qui se réserve le droit d'effectuer des modifications des composants, dans le but d'apporter des améliorations ou pour toute autre raison sans mettre à jour ce manuel si ces modifications n'altèrent pas le fonctionnement et la sécurité de la pompe.

1.2 DONNEES DU FABRICANT

D.V.P. Vacuum Technology s.p.a.

Via Rubizzano, 627
40018 - S. Pietro in Casale (BO) - ITALY

Ph +3905118897101
Fx +3905118897170
e-mail: info@divp.it
website: <http://www.divp.it>

Pour toute communication relative à la pompe, nous vous prions de toujours mentionner les informations suivantes:

- modèle et matricule de la pompe;
- année de fabrication;
- date d'acquisition;
- indications détaillées sur les problèmes rencontrés.

1.3 MODALITES DE CONSULTATION

Pour une plus grande compréhension des informations fournies dans ce manuel, les avertissements ou les instructions qui sont considérés comme critiques ou dangereux sont mis en évidence avec la symbologie suivante:



DANGER

Pour des instructions qui, si elles ne sont pas suivies, peuvent provoquer des situations de danger pour les personnes.



ATTENTION

Pour des instructions qui, si elles ne sont pas suivies, peuvent provoquer des dommages à la pompe.

1.4 QUALIFICATION DU PERSONNEL

Pour faire en sorte que toutes les opérations effectuées sur la pompe se fassent dans des conditions de sécurité, il faut que les opérateurs qui utilisent la pompe aient la qualification et les qualités requises pour accomplir les opérations relatives à la pompe.

Les opérateurs sont ainsi classés:



OPERATEUR DE PREMIER NIVEAU:

personnel non qualifié, c'est-à-dire sans compétences spécifiques, capable de remplir uniquement des fonctions simples.



TECHNICIEN MECANICIEN:

technicien qualifié capable d'intervenir sur les organes mécaniques pour effectuer tous les réglages, les interventions d'entretien et les réparations nécessaires. Il n'est pas habilité à faire des interventions sur des installations électriques en présence de tension.



TECHNICIEN ELECTRICITE:

technicien qualifié responsable de toutes les interventions électriques. Il est capable d'opérer en présence de tension à l'intérieur d'armoires et de boîtes de dérivation.

1.5 DISPOSITIFS DE PROTECTION INDIVIDUELLE

Ce manuel d'utilisation suppose que la pompe soit installée dans des lieux de travail où toutes les prescriptions obligatoires de sécurité sont respectées; en particulier, il est obligatoire pour le personnel d'être équipé des dispositifs de protection individuels correspondant aux activités qu'il doit accomplir.

1.6 PLAQUETTE D'IDENTIFICATION

Toutes les pompes sont pourvues d'une plaquette d'identification sur laquelle sont indiqués, en plus du nom du fabricant, l'adresse, le marquage CE et les données techniques de la pompe.

	D.V.P. Vacuum Technology s.p.a.		
	Made in Italy - www.dvp.it		
TYPE:	<input type="text"/>		
<input type="radio"/> S/N:	<input type="text"/>	YEAR <input type="text"/>	kg <input type="text"/>
	Hz	m ³ /h	mbar (Abs.) hPa
	<input type="text"/>	<input type="text"/>	<input type="text"/>



ATTENTION

Il est absolument interdit d'enlever ou de modifier la plaque d'identification.

2 SECURITE

2.1 AVERTISSEMENTS GENERAUX

Avant d'effectuer une quelconque opération sur la pompe il est important de lire le présent manuel. Nous vous recommandons de toujours respecter les normes de sécurité du pays où est installée la pompe et d'avoir toujours recours à du personnel spécialisé dans les différentes opérations d'entretien, d'utilisation, d'installation etc. qui sont nécessaires pendant la durée de vie de la pompe.

Les principales règles de comportement à observer pour travailler avec un bon niveau de sécurité sont les suivantes:

- Les opérations d'installation, d'utilisation, d'entretien, etc. doivent toujours être effectuées par du personnel qualifié et formé.
- Il est de règle de porter toujours et sans exception les dispositifs de protection individuelle prévus.
- Toujours effectuer toutes les opérations de nettoyage, réglages, entretien en s'assurant que toutes les alimentations d'énergie soient isolées.
- Ne jamais diriger des jets d'eau contre les parties électriques, même si elles sont protégées par des enveloppes.
- Ne jamais fumer pendant le travail ou l'entretien, et à plus forte raison si des solvants ou des matériaux inflammables sont utilisés.
- Ne pas endommager les plaques signalétiques et les pictogrammes appliqués sur la pompe; s'ils venaient à être endommagés par inadvertance, les remplacer immédiatement par d'autres identiques.

D.V.P. Vacuum Technology s.p.a. décline toute responsabilité en cas de dommages aux personnes ou aux choses dus à l'utilisation impropre de la pompe, à une mauvaise manipulation de ses appareils de sécurité ou au non respect des normes de sécurité sur le lieu de travail

2.2 RISQUES RESIDUELS

DANGER



La pompe a été conçue de manière à réduire au minimum les risques résiduels pour le personnel. En tout cas, nous vous invitons à la prudence et à l'attention pendant le déroulement des opérations d'entretien; la familiarité qu'on acquiert en utilisant fréquemment la pompe amène, trop souvent, à oublier ou à sous-évaluer les risques éventuels.

Danger températures élevées

Les surfaces de la pompe peuvent dépasser les 70°C; installer la pompe dans une zone protégée accessible uniquement au personnel autorisé et effectuer les interventions uniquement lorsque la pompe est arrêtée et refroidie.

Danger engendré par la dépression

Éviter le contact avec le raccord d'aspiration de la pompe pendant le fonctionnement. Mettre de l'air dans le circuit d'aspiration avant toute intervention. Le contact avec des points en dépression peut être la cause d'accidents.

Danger engendré par la pression

Le réservoir de la pompe est pressurisé; ne pas ouvrir et ne pas laisser ouverts les bouchons de remplissage ou de vidange de l'huile pendant le fonctionnement.

Danger d'émission de substances nocives

L'air évacué de la pompe contient des traces de brouillards d'huile; vérifier la compatibilité avec l'environnement de travail.

Des joints d'étanchéité abimés ou usés peuvent provoquer des fuites d'huile lubrifiante; éviter de la disperser dans la terre et de polluer d'autres matériaux.

Si de l'air contenant des substances dangereuses venait à être aspiré (ex. agents biologiques ou microbiologiques), utiliser des systèmes de filtration adaptés placés avant la pompe à vide. Les huiles usées doivent être traitées selon les normes en vigueur dans le pays d'utilisation de la pompe.

Danger électrique

Dans l'équipement électrique de la pompe, il y a des parties qui sont soumises à la tension, et le contact avec ces parties peut provoquer de graves dommages aux personnes et aux choses. Tout type d'intervention sur l'installation électrique doit être effectué exclusivement par du personnel spécialisé.

Danger incendie

Si on fait une utilisation de la pompe qui n'est pas prévue ou qui est interdite par ce manuel, ou s'il n'y a pas un entretien correct de celle-ci, cela peut provoquer des anomalies de fonctionnement avec un risque de surchauffe et d'incendie.

En cas d'incendie, ne pas utiliser de l'eau pour éteindre les flammes; utiliser des extincteurs à poudre ou CO₂ ou d'autres moyens compatibles avec la présence d'équipements électriques et d'huiles lubrifiantes.

Danger de glissement et/ou chute

Les pompes à vide série "L" fonctionnent avec de l'huile lubrifiante. L'entretien ou un usage non conforme aux prescriptions de ce manuel peut endommager les joints et provoquer des gouttes d'huile lubrifiante sur le sol, qui peuvent être la cause du glissement et/ou de la chute du personnel.

Danger d'accrochage

À proximité du carter de protection du ventilateur du moteur électrique, il persiste un danger imminent d'accrochage ou d'emprisonnement des cheveux et des vêtements dans le ventilateur de refroidissement logé à l'intérieur de la protection. Nouer les cheveux longs et ne pas porter de vêtements amples, de lacets longs ou d'autres objets risquant d'être saisis.

Danger généré par la projection de pièces

Installer la pompe de manière à éviter que le personnel préposé aux travaux ne soit directement frappé par des composants ou des parties de composants projetés à travers le carter de protection du ventilateur suite à la rupture éventuelle du ventilateur de refroidissement.

2.3 PICTOGRAMMES

Des pictogrammes sont appliqués sur la pompe avec des symboles d'avertissement et de sécurité pour les opérateurs. Lire attentivement et prendre connaissance de ces symboles et de leurs messages avant d'utiliser la pompe.

**DANGER ÉLECTRIQUE**

On se trouve à proximité de connexions électriques (protégées) mais dont le contact accidentel peut provoquer une électrocution et la mort.

**DANGER SURFACES CHAUDES**

On se trouve à proximité de surfaces dont la température est supérieure à 70°C et qui peuvent donner lieu à des brûlures de gravité moyenne.

**SE REFERER AU MANUEL/NOTICE**

Avant toute opération lire attentivement le manuel d'utilisation et d'entretien.

D.V.P. Vacuum Technology s.p.a. décline toute responsabilité en cas de dommages aux personnes ou aux choses dus au non respect des normes signalées par les pictogrammes ou si ceux-ci n'ont pas été parfaitement conservés.

3 DESCRIPTION POMPE

3.1 UTILISATION PREVUE ET CONTRE-INDICATIONS

3.1.1 UTILISATION PREVUE

Les pompes décrites dans ce manuel sont de type rotative à palettes, lubrifiées avec recirculation de l'huile. Ces pompes pour le vide ont été expressément conçues pour travailler avec de l'air propre, des gaz inertes ou de petites quantités de vapeurs d'eau dont la température à la bouche d'aspiration doit être comprise entre 12°C et 40°C.

Cette série de pompes est utilisée pour l'évacuation de petits volumes clos ou pour certains modèles, pour un fonctionnement en continu à des pressions absolues comme indiqué dans le paragraphe 3.3 « Dimensions et Caractéristiques ».

Tout autre usage est interdit. Le Fabricant ne répond d'aucun dommage aux personnes et/ou aux objets causé par l'utilisation impropre ou non autorisée de la pompe.

3.1.2 CONTRE-INDICATIONS



Tout usage différent de celui pour lequel la pompe a été construite représente une condition anormale et peut donc causer des dommages à la pompe et constituer un danger sérieux pour l'opérateur.

Ci-dessous sont mentionnées une série d'opérations, se rapportant à l'utilisation impropre de la pompe, qui ne sont en aucun cas autorisées.

- Ne pas utiliser la pompe dans une atmosphère explosive, agressive ou à forte concentration de poudres ou de substances huileuses en suspension dans l'air et en tout cas ne pas l'utiliser pour pomper des gaz explosifs, inflammables, corrosifs ou qui forment des particules. L'utilisation de la pompe dans ces atmosphères et avec ces types de gaz peut provoquer des lésions, des explosions, des incendies ou des pannes graves à la pompe;
- ne pas utiliser de pièces de rechange non originales et non prévues par le fabricant;
- ne pas utiliser l'unité pour pomper des matériaux solides, des substances chimiques, des poudres, des solvants ou d'autres substances différentes de celles qui sont admises. Ces types de matériaux peuvent endommager l'unité, dégrader ses prestations ou réduire sa durée de vie;
- ne pas exposer la pompe à la pluie, à la vapeur ou à l'humidité excessive;
- ne pas ranger ou stocker à proximité de substances ou de combustibles inflammables;
- ne pas utiliser la pompe comme compresseur.

3.2 VERSION FKM

La pompe qui est construite selon cette version est équipée de moyens techniques particuliers comme des joints réalisés en FKM ce qui permet d'utiliser cette pompe même en présence de certains gaz agressifs.

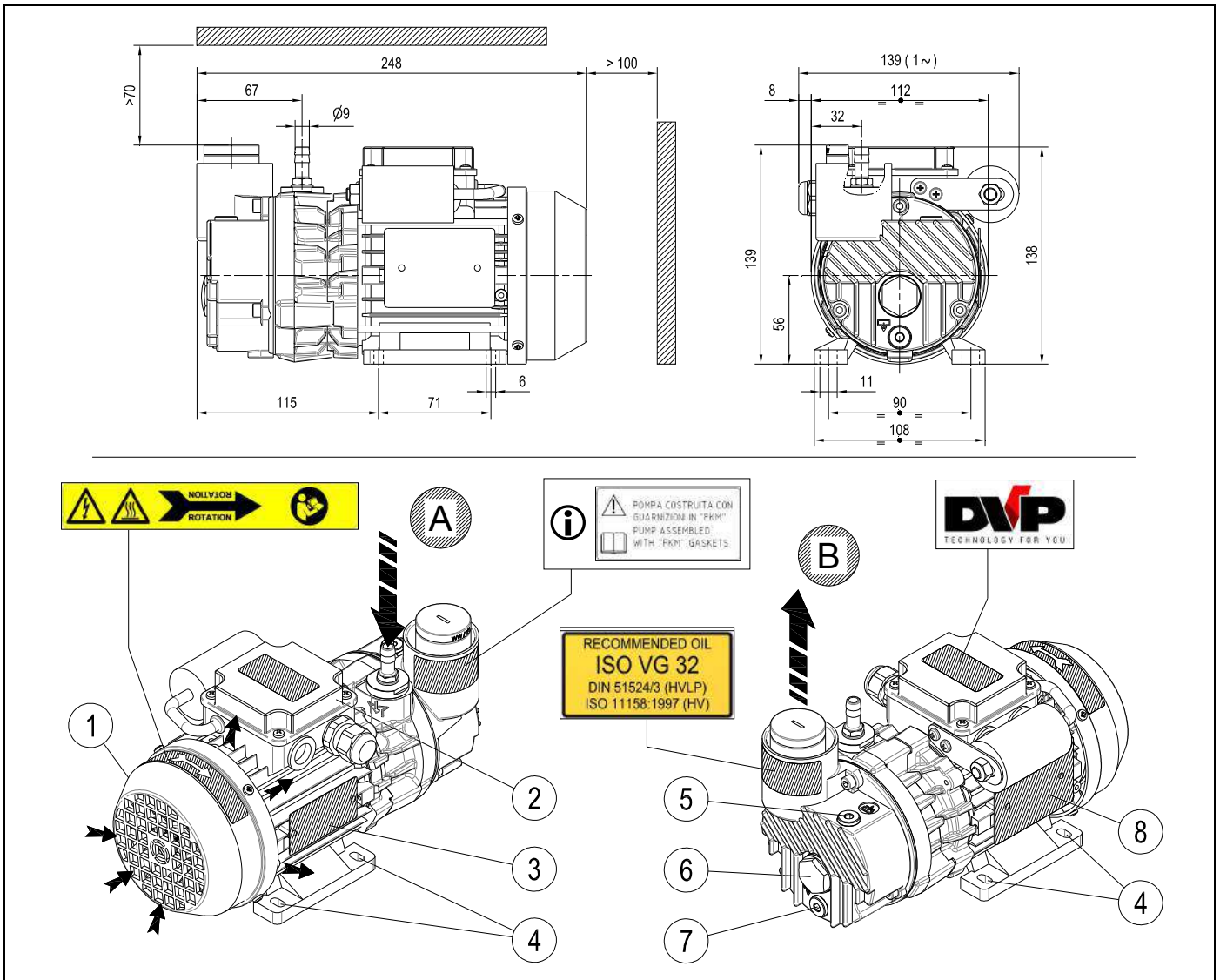


ATTENTION

Contactez le fabricant pour s'assurer que le gaz agressif en question fait partie de ceux avec lesquels la pompe peut travailler.

3.3 DIMENSIONS ET CARACTERISTIQUES

3.3.1 Modele: LC.2 – LC.4



A	Aspiration
B	Évacuation air
1	Protection ventilateur moteur
2	Boîte à borne

3	Plaque d'identification
4	Point de fixation
5	Bouchon remplissage huile
6	Témoin niveau d'huile

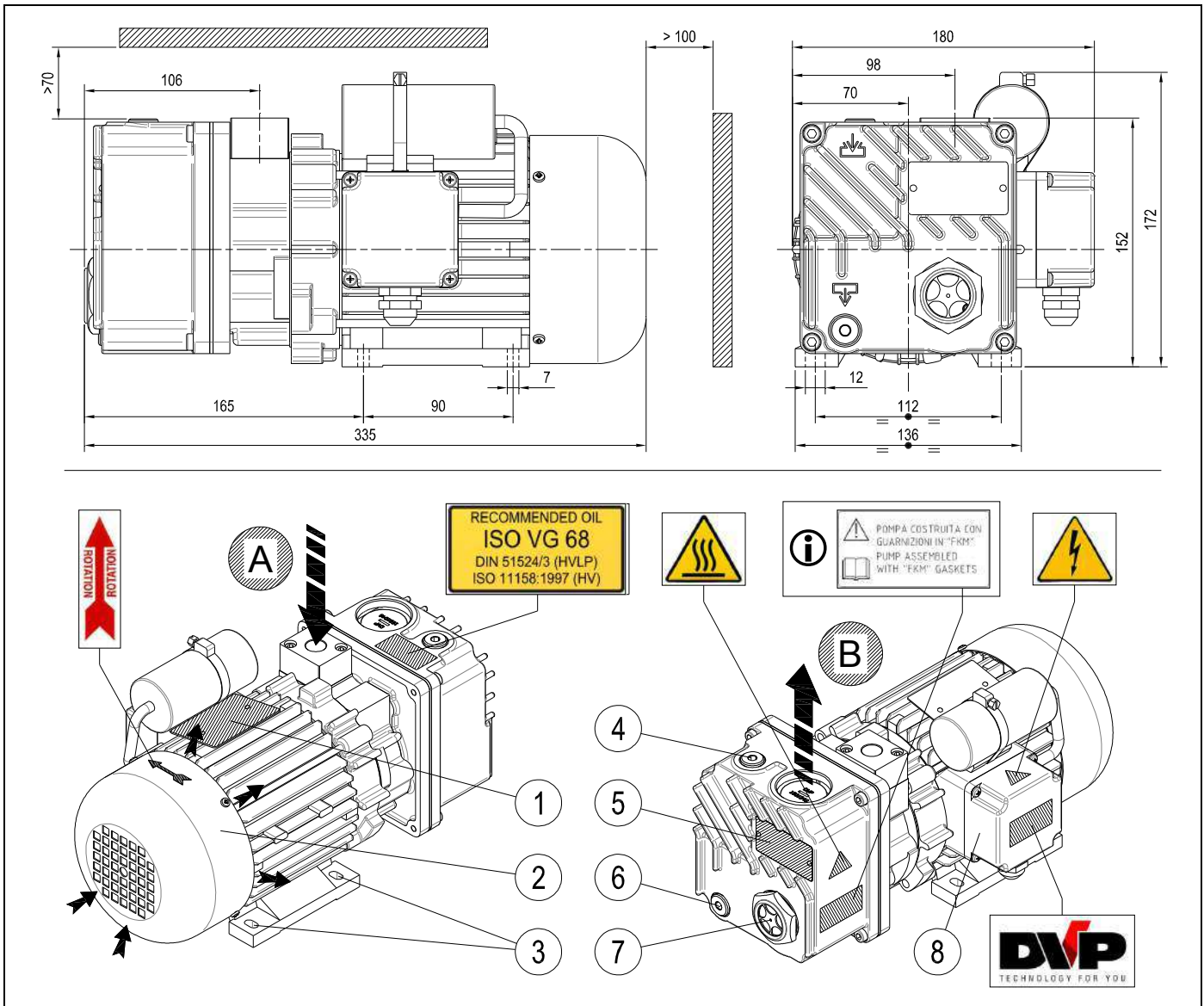
7	Bouchon vidange huile
8	Plaque moteur
ⓘ	Présents seulement sur les versions spéciales

CARACTERISTIQUES TECHNIQUES

		LC.2		LC.4	
		50 Hz	60 Hz	50 Hz	60 Hz
Débit	m³/h	2	2,5	4	4,8
Pression finale (Abs.)	mbar - hPa	10		2	
Pression max d'aspiration de la vapeur d'eau admissible	mbar - hPa	----			
Qté max de vapeur d'eau admissible	kg/h	----			
Puissance moteur	kW (1~ / 3~)	0,12 / 0,12	0,15 / 0,15	0,12 / 0,12	0,15 / 0,15
Nombre de tours nominaux	n/min	2800	3300	2800	3300
Niveau de pression sonore (UNI EN ISO 2151) (K 3dB)	dB(A)	48	52	48	52
Poids	kg (1~ / 3~)	5,4 / 5,4			
Type huile	cod. DVP	BV32 (SW40)			
Remplissage huile	dm³	0,065			
Aspiration / Vidange pompe		Ø9mm (1/8"G) / - - -			
Champ de travail en continu (Abs.)	mbar - hPa	500 ÷ 10		----	
Température de fonctionnement (temp. ambiente 20°C)	°C	50 ÷ 55	55 ÷ 60	50 ÷ 55	55 ÷ 60
Température ambiente de travail exigée	°C	12 ÷ 40			
Température de stockage/transport	°C	-20 ÷ 50			
Humidité / altitude MAX		80% / 1000m au-dessus du niveau de la mer *			

(*) En cas de conditions ambiantes différentes de celles prescrites, contacter le Constructeur.

3.3.2 Modele: LB.5



A	Aspiration
B	Évacuation air
1	Plaquette moteur
2	Protection ventilateur moteur

3	Point de fixation
4	Bouchon remplissage huile
5	Plaquette d'identification
6	Bouchon vidange huile

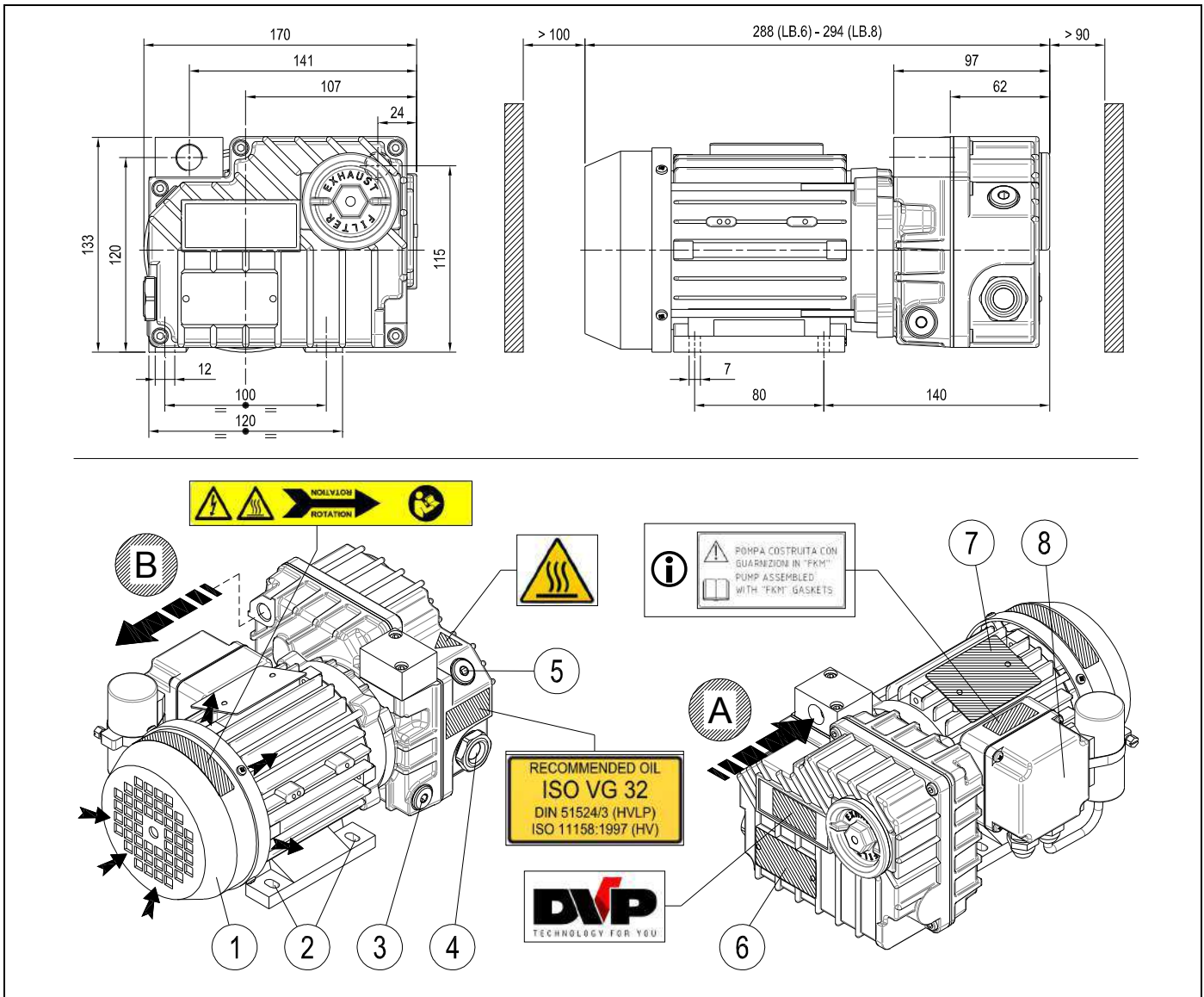
7	Témoin niveau d'huile
8	Boite à borne
i	Présents seulement sur les versions spéciales

CARACTERISTIQUES TECHNIQUES

		LB.5	
		50 Hz	60 Hz
Débit	m ³ /h	5	6
Pression finale (Abs.)	mbar - hPa	10	
Pression max d'aspiration de la vapeur d'eau admissible	mbar - hPa	30	
Qté max de vapeur d'eau admissible	kg/h	0,11	
Puissance moteur	kW (1~ / 3~)	0,25 / 0,37	0,25 / 0,45
Nombre de tours nominaux	n/min	1400	1700
Niveau de pression sonore (UNI EN ISO 2151) (K 3dB)	dB(A)	58	60
Poids	kg (1~ / 3~)	13,0 / 11,5	
Type huile	cod. DVP	BV68 (SW60)	
Remplissage huile	dm ³	0,20	
Aspiration / Vidange pompe	"G	3/8	
Champ de travail en continu (Abs.)	mbar - hPa	400 ÷ 10	
Température de fonctionnement (temp. ambiente 20°C)	°C	65 ÷ 70	70 ÷ 75
Température ambiente de travail exigée	°C	12 ÷ 40	
Température de stockage/transport	°C	-20 ÷ 50	
Humidité / altitude MAX		80% / 1000m au-dessus du niveau de la mer *	

(*) En cas de conditions ambiantes différentes de celles prescrites, contacter le Constructeur.

3.3.3 Modele: LB.6 – LB.8



A	Aspiration
B	Évacuation air
1	Protection ventilateur moteur
2	Point de fixation

3	Bouchon vidange huile
4	Témoin niveau d'huile
5	Bouchon remplissage huile
6	Plaquette d'identification

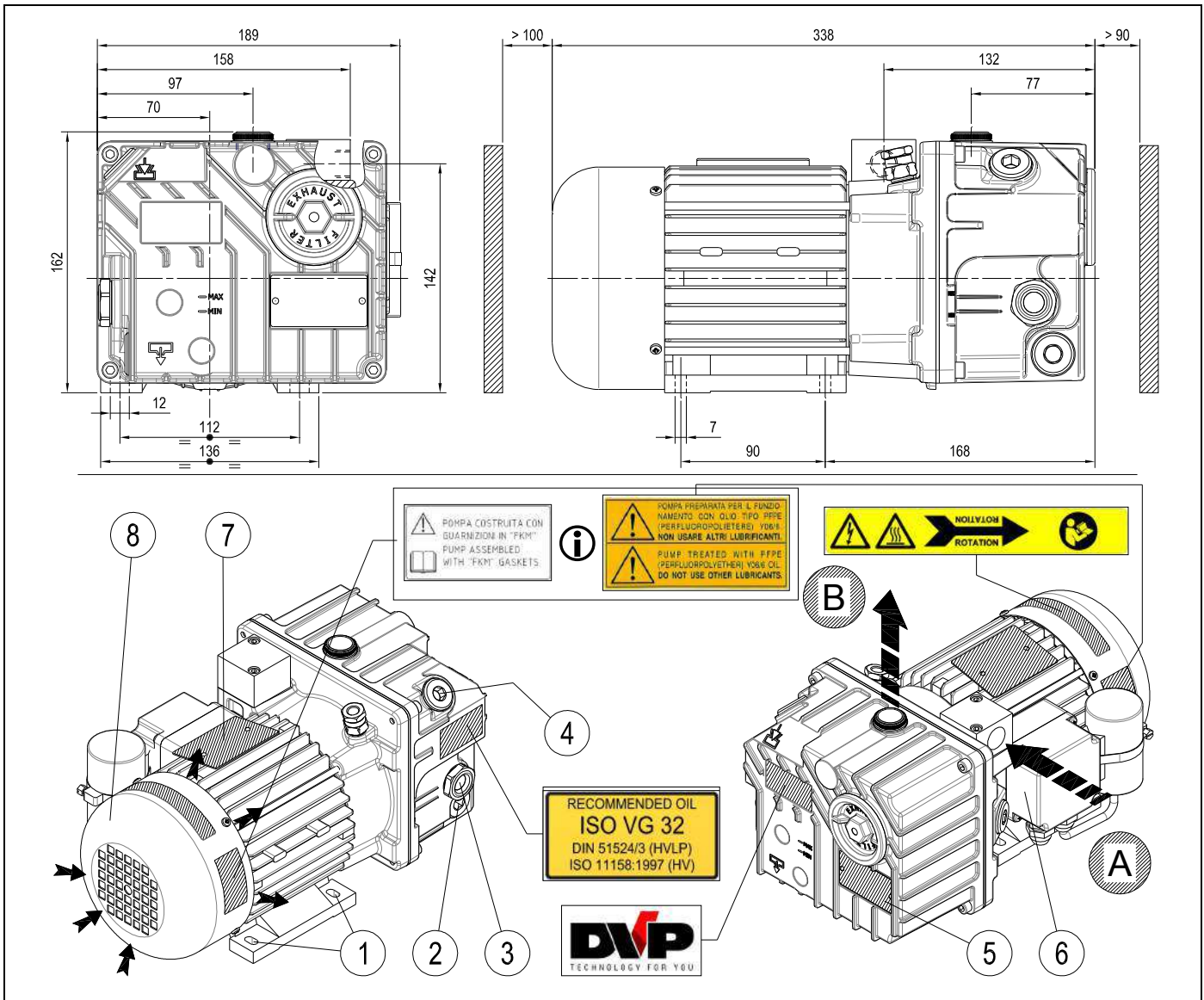
7	Plaquette moteur
8	Boîte à borne
ⓘ	Présents seulement sur les versions spéciales

CARACTERISTIQUES TECHNIQUES

		LB.6		LB.8	
		50 Hz	60 Hz	50 Hz	60 Hz
Débit	m³/h	6	7	8	9
Pression finale (Abs.)	mbar - hPa	2			
Pression max d'aspiration de la vapeur d'eau admissible	mbar - hPa	----			
Qté max de vapeur d'eau admissible	kg/h	----			
Puissance moteur	kW (1~ / 3~)	0,25 / 0,25	0,30 / 0,30	0,25 / 0,25	0,30 / 0,30
Nombre de tours nominaux	n/min	2800	3300	2800	3300
Niveau de pression sonore (UNI EN ISO 2151) (K 3dB)	dB(A)	58	60	58	60
Poids	kg (1~ / 3~)	10,0 / 9,0			
Type huile	cod. DVP	BV32 (SW40)			
Remplissage huile	dm³	0,20			
Aspiration / Vidange pompe	"G	3/8			
Champ de travail en continu (Abs.)	mbar - hPa	----			
Température de fonctionnement (temp. ambiente 20°C)	°C	65 ÷ 70	70 ÷ 75	70 ÷ 75	75 ÷ 80
Température ambiente de travail exigée	°C	12 ÷ 40			
Température de stockage/transport	°C	-20 ÷ 50			
Humidité / altitude MAX		80% / 1000m au-dessus du niveau de la mer *			

(*) En cas de conditions ambiantes différentes de celles prescrites, contacter le Constructeur.

3.3.4 Modele: LC.12



A	Aspirazione
B	Évacuation air
1	Point de fixation
2	Bouchon vidange huile

3	Témoin niveau d'huile
4	Bouchon remplissage huile
5	Plaquette d'identification
6	Boîte à borne

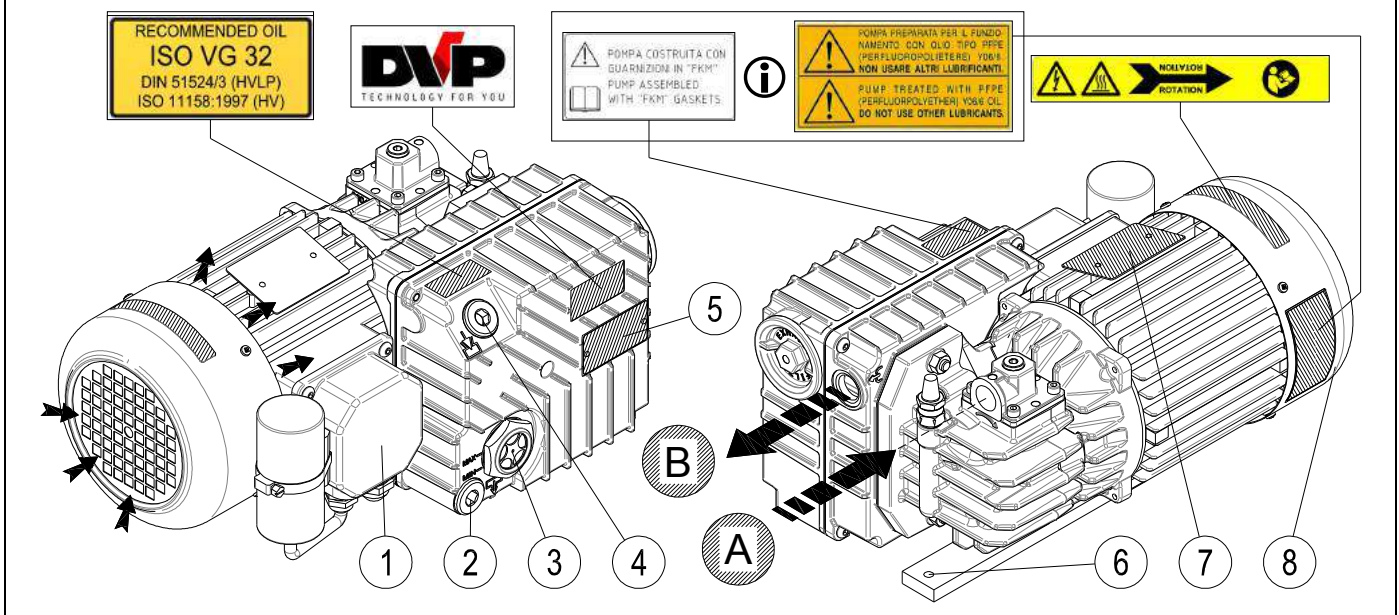
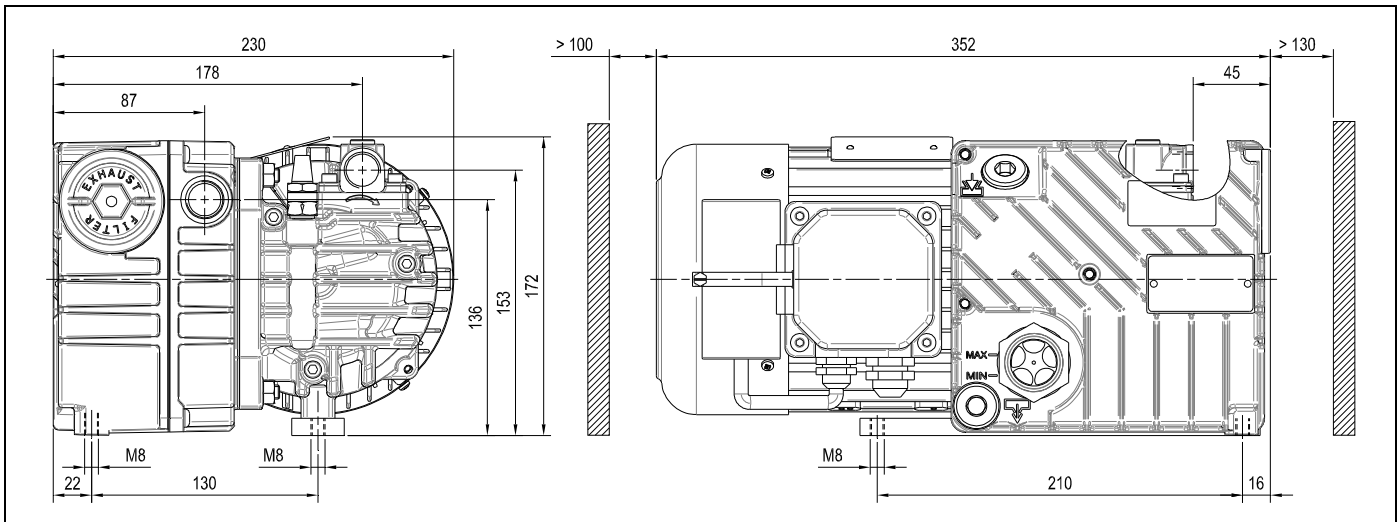
7	Plaquette moteur
8	Protection ventilateur moteur
i	Présents seulement sur les versions spéciales

CARACTERISTIQUES TECHNIQUES

CARACTERISTIQUES TECHNIQUES	LC.12	
	50 Hz	60 Hz
Débit	m³/h	12 / 14
Pression finale (Abs.)	mbar - hPa	2
Pression max d'aspiration de la vapeur d'eau admissible	mbar - hPa	35
Qté max de vapeur d'eau admissible	kg/h	0,3
Puissance moteur	kW (1~ / 3~)	0,45 / 0,37 / 0,55 / 0,45
Nombre de tours nominaux	n/min	2800 / 3300
Niveau de pression sonore (UNI EN ISO 2151) (K 3dB)	dB(A)	62 / 64
Poids	kg (1~ / 3~)	14,0 / 12,5
Type huile	cod. DVP	BV32 (SW40)
Remplissage huile	Min÷Max dm³	0,30 ÷ 0,40
Aspiration / Vidange pompe	"G	1/2
Champ de travail en continu (Abs.)	mbar - hPa	400 ÷ 2
Température de fonctionnement (temp. ambiente 20°C)	°C	60 ÷ 65 / 65 ÷ 75
Température ambiente de travail exigée	°C	12 ÷ 40
Température de stockage/transport	°C	-20 ÷ 50
Humidité / altitude MAX	80% / 1000m au-dessus du niveau de la mer *	

(*) En cas de conditions ambiantes différentes de celles prescrites, contacter le Constructeur.

3.3.5 Modele: LC.20



A	Aspirazione
B	Evacuazione air
1	Boite à borne
2	Bouchon vidange huile

3	Témoins niveau d'huile
4	Bouchon remplissage huile
5	Plaque d'identification
6	Point de fixation

7	Plaque moteur
8	Protection ventilateur moteur
ⓘ	Présents seulement sur les versions spéciales

CARACTERISTIQUES TECHNIQUES		LC.20	
		50 Hz	60 Hz
Débit	m ³ /h	20	24
Pression finale (Abs.)	mbar - hPa	2	
Pression max d'aspiration de la vapeur d'eau admissible	mbar - hPa	15	
Qté max de vapeur d'eau admissible	kg/h	0,25	
Puissance moteur	kW (1~ / 3~)	0,75 / 0,75	0,90 / 0,90
Nombre de tours nominaux	n/min	2800	3300
Niveau de pression sonore (UNI EN ISO 2151) (K 3dB)	dB(A)	64	67
Poids	kg (1~ / 3~)	19,0 / 17,0	
Type huile	cod. DVP	BV32 (SW40)	
Remplissage huile	Min+Max dm ³	0,45 ÷ 0,50	
Aspiration / Vidange pompe	"G	1/2	
Champ de travail en continu (Abs.)	mbar - hPa	400 ÷ 2	
Température de fonctionnement (temp. ambiente 20°C)	°C	60 ÷ 65	65 ÷ 70
Température ambiente de travail exigée	°C	12 ÷ 40	
Température de stockage/transport	°C	-20 ÷ 50	
Humidité / altitude MAX		80% / 1000m au-dessus du niveau de la mer *	

(*) En cas de conditions ambiantes différentes de celles prescrites, contacter le Constructeur.

3.4 ÉMISSIONS SONORES

La pompe a été conçue et construite de manière à réduire le bruit à la source.

Les valeurs de pression sonore reportées dans le tableau des caractéristiques techniques ont été relevées au vide maximum et avec le refoulement canalisé conformément à la norme UNI EN 2151.

4 INSTALLATION

4.1 RICEPTION ET VERIFICATION DU CONTENU

A la réception de la pompe il faut vérifier que l'emballage est intact ou s'il présente des signes évidents d'endommagements dus au transport ou aux conditions de stockage. Si tout est intact, procéder au déballage et au contrôle de la pompe.

Par contre, si l'emballage est endommagé, il faut avertir immédiatement l'agent de transport et le fabricant.

Il faut toujours vérifier que le matériel reçu correspond à celui qui est indiqué dans le document d'accompagnement.

L'emballage doit être ouvert en prenant toutes les précautions nécessaires pour éviter des dommages aux personnes et au contenu de la boîte.

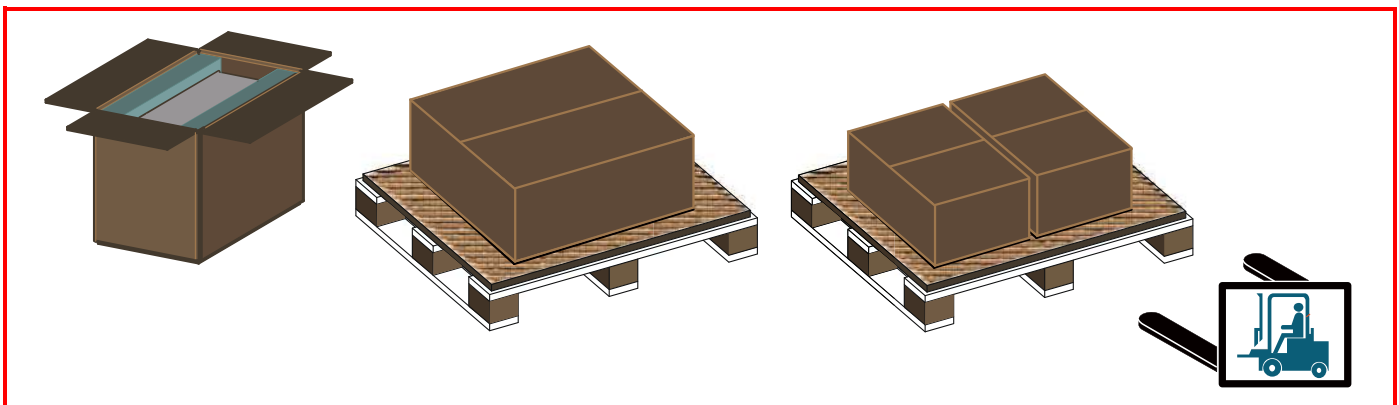
4.2 EMBALLAGE

La pompe, en fonction des dimensions et des modalités de transport, est emballée de la manière suivante:

- dans un simple carton avec des matériaux de calage;
- sur des palettes en bois avec couverture en carton;
- dans de simples cartons placés sur une palette avec un film protecteur.

Le bois de la palette peut être réutilisé ou recyclé conformément aux lois en vigueur dans le pays d'installation de la pompe. Les autres matériaux comme le carton, le plastique ou le film protecteur doivent être traités en accord avec les réglementations locales en vigueur.

Ne pas brûler et ne pas disperser dans la nature les composants de l'emballage.



4.3 TRANSPORT ET MANUTENTION

DANGER



Les opérations de transport, soulèvement et manutention doivent être effectuées par du personnel expert et qualifié.

La pompe peut être soulevée et manutentionnée avec des chariots élévateurs ou avec des moyens de levage (câbles, crochets, etc.) adaptés à son poids, qui est mentionné dans le tableau des données techniques, ainsi que sur la plaquette d'identification. La manutention et le transport manuels sont autorisés seulement en accord avec les réglementations locales en vigueur.

ATTENTION



Pour le transport il est conseillé de préparer la pompe comme indiqué dans le chapitre suivant et de vider le réservoir d'huile (voir paragraphe "Remplacement huile").

4.4 STOCKAGE

Vider la pompe de l'huile qui se trouve à l'intérieur et fermer l'aspiration et la vidange avec les protections prévues à cet effet. Les pompes doivent être stockées dans leurs propres emballages et conservées dans des lieux couverts, secs, protégés et non exposés aux rayons directs du soleil et la température doit être comprise dans l'intervalle indiqué dans le tableau des caractéristiques techniques.

En cas de mise hors tension en entrepôt ou mise hors service avec stockage il est nécessaire que le lieu corresponde aux caractéristiques prescrites au chapitre 3 (Description de la pompe). Pour maintenir l'efficacité et la

fonctionnalité des parties en caoutchouc et des joints à lèvres on conseille de mettre la pompe en marche avec la bouche d'aspiration fermée pendant au moins 30 minutes tous les 6 mois en s'en tenant aux indications et prescriptions indiquées dans ce manuel, avec une attention particulière aux instructions du chapitre 5 (Instructions d'utilisation). La non observation de cette prescription pourrait donner lieu à la détérioration des parties en caoutchouc et, par conséquent, à des fuites d'huile pendant le fonctionnement.

4.5 CONDITIONS AMBIANTES

La pompe doit être installée et utilisée dans un lieu couvert et suffisamment éclairé. La zone d'installation doit posséder toutes les conditions requises par rapport aux hauteurs, aux changements d'air, et respecter les prescriptions imposées par la réglementation en vigueur.

Température, Humidité et Altitude

Les valeurs limite correspondantes figurent dans le tableau des caractéristiques techniques (chapitre 3.3). En cas de conditions ambiantes différentes de celles prescrites, contacter le Constructeur.

Éclairage

Toutes les zones doivent être éclairées de manière uniforme et suffisante pour garantir toutes les opérations prévues dans le manuel, en évitant les zones d'ombre, les reflets, l'éblouissement et la fatigue de la vue.

4.6 INSTALLATION DE LA POMPE

Afin d'assurer un fonctionnement parfait de la pompe la placer et la positionner en respectant les modalités suivantes:

- Laisser un espace suffisant sur les cotés externes de la pompe, et s'assurer que le coté de la ventilation du moteur est dégagé.
- Vérifier que l'espace libre à coté de la pompe permet un accès facile aux composants pour la vérification et l'entretien, et permet en outre l'accès aux moyens de levage adéquats.
- La pompe est équipée de points de fixation; il faut veiller à la bloquer sur un plan parfaitement horizontal, pour éviter les risques de renversement en cas de transport du système utilisateur.
- Certains modèles sont déjà équipés de plots anti-vibratiles en caoutchouc, montés au niveau des points de fixation de la pompe; si le modèle n'est pas équipé, veiller à installer ces accessoires de manière à ne pas transmettre de vibrations à la pompe.
- Assurer le changement d'air dans la pièce ou à l'intérieur de la machine dans laquelle se trouve la pompe et éviter que l'air provenant de l'évacuation ou des ventilateurs de refroidissement puisse gêner le personnel.



ATTENTION

Ne pas installer la pompe dans une zone avec de la poussière ou d'autres matériaux qui pourraient obstruer ou couvrir rapidement les surfaces de refroidissement.

4.7 SYSTEME UTILISATEUR

Assurez-vous que le système utilisateur n'est pas contaminé par des substances nocives pendant les opérations d'installation.

Montez une vanne d'isolement entre la pompe et l'installation si vous souhaitez qu'elle reste à vide même quand la pompe est arrêtée.

Assurez-vous que des vibrations ou des charges ne soient pas transmises sur les raccords de la pompe et sur la pompe elle-même.

4.8 BRANCHEMENTS



DANGER

Les branchements de la pompe doivent être effectués exclusivement par du personnel qualifié et spécialement formé.

4.8.1 BRANCHEMENTS ASPIRATION ET EVACUATION

Le branchement au système utilisateur (en aspiration ou en évacuation) doit être exécuté avec des tuyaux ayant un diamètre égal ou supérieur à celui de la bouche d'aspiration de la pompe. Le poids des tuyaux et les dilatations éventuelles ne doivent pas peser sur la pompe.

Il est conseillé d'effectuer le branchement final à la pompe en utilisant des tuyaux ou des raccords flexibles. Il est important que tous les tuyaux et les différents joints soient étanches. Les tuyaux très longs ou avec un diamètre trop petit diminuent les performances de la pompe.



DANGER

Éviter que les gaz d'échappement stagnent dans l'environnement de travail.

**ATTENTION**

Utiliser un filtre pour l'aspiration, particulièrement si la pompe travaille avec des flux pollués.

Les gaz d'échappement de la pompe doivent être traités de manière à ce qu'ils n'aillent pas contaminer l'environnement de travail et l'atmosphère environnante. Si des vapeurs condensables sont aspirées il faut que la condensation qui se forme dans la ligne d'évacuation ne s'accumule pas et ne reflue pas dans la pompe; la tuyauterie devra donc être descendante et sans coudes. Éviter donc les tuyaux en caoutchouc toilé, les diamètres trop petits (jamais moins que le diamètre de la bouche d'aspiration ou de l'évacuation), les longueurs excessives des tuyaux, les coudes étroits et fréquents.

**ATTENTION**

Ne pas introduire dans la tuyauterie d'évacuation des raccords ou des dispositifs qui obstruent ou empêchent l'élimination des gaz d'échappement (max surpression à l'échappement 0,3 bars).

4.8.2 BRANCHEMENT ELECTRIQUE**ATTENTION**

Vérifier que la tension et la fréquence du réseau correspondent aux valeurs mentionnées sur la plaquette du moteur.

Le câble de branchement doit être adapté à la puissance absorbée par la pompe (les valeurs d'absorption de la pompe sont mentionnées sur la plaquette du moteur) en tenant compte également des conditions ambiantes de fonctionnement.

**DANGER**

Toujours exécuter la mise à la terre de la pompe.

Toujours installer un système de protection électrique entre la pompe et le réseau d'alimentation; les valeurs d'absorption de la pompe sont mentionnées sur la plaquette du moteur.

La pompe est normalement fournie sans câble électrique ni interrupteur; pour le raccordement au réseau électrique voir le schéma contenu à l'intérieur de la boîte à bornes ou sur la plaquette du moteur.

ATTENTION

Vérifier que le sens de rotation du moteur est correct avant de mettre la pompe en service pour la première fois ou après avoir changé les branchements électriques.

Le sens de rotation correct est celui qui est indiqué par la flèche située sur la pompe (voir chap. 3.3). Si la pompe fonctionne avec un moteur qui tourne dans le sens inverse par rapport au sens qui est indiqué, cela peut endommager gravement celle-ci.

5 INSTRUCTIONS D'UTILISATION

5.1 FONCTIONNEMENT

Contrôles à effectuer avant le démarrage:

- La pompe est livrée vidangée de son huile de lubrification; utiliser l'huile qui l'accompagne ou un des lubrifiants indiqué sur la plaquette présente sur la pompe (voir chap. 3.3) ou, en alternative, un lubrifiant d'une autre marque mais avec des caractéristiques analogues.
- S'assurer que l'évacuation de la pompe n'est pas obstruée par des raccords.

ATTENTION



Une quantité d'huile supérieure à la quantité nécessaire peut provoquer l'obstruction des séparateurs d'huile et endommager la pompe ou le moteur électrique.

Un fonctionnement sans lubrification provoque de graves dommages à la pompe.

5.1.1 REMPLISSAGE DU RESERVOIR D'HUILE



ATTENTION

Ne remplissez pas le réservoir d'huile au-delà du niveau maximum autorisé.

- Dévisser le bouchon de remplissage de l'huile;
- Verser l'huile dans le réservoir jusqu'à ce que le niveau atteigne la moitié du voyant;
- Refermer le bouchon de remplissage;
- Éliminer les éventuels gouttes d'huile de la pompe et/ou du sol.

5.1.2 DEMARRAGE



DANGER

La pompe peut atteindre des températures élevées pendant le fonctionnement.

Après le démarrage, la pompe peut fonctionner à un régime de rotation inférieur à la normale si la température ambiante est inférieure à celle qui est mentionnée dans le tableau des données techniques, si l'huile est contaminé, ou si la tension d'alimentation est inférieure à celle indiquée sur la plaquette du moteur.

Si le régime de rotation n'atteint pas la valeur nominale en quelques secondes, le système de protection électrique installé pour protéger la pompe devra intervenir (installation prescrite dans le paragraphe "Branchement Électrique").

ATTENTION



En cas d'aspiration de vapeurs d'eau il est indispensable, avant de commencer le cycle de travail, de porter la pompe à température de régime en la faisant fonctionner pendant 30 min. environ avec la bouche d'aspiration fermée et isolée de l'installation contenant les vapeurs d'eau.

ATTENTION



S'assurer que la pompe travaille à des valeurs de pression autorisées, et dans tous les cas éviter que la pompe fonctionne pendant de longues périodes avec la bouche d'aspiration complètement ouverte.

DANGER



Le fonctionnement de la pompe à plein régime doit se faire sans vibrations ou bruits anormaux. Si ces anomalies sont présentes, arrêter immédiatement la pompe, rechercher la cause et l'éliminer.

5.1.3 ARRÊT

La pompe doit être arrêtée en coupant l'alimentation électrique du moteur.

Avant l'arrêt, nous vous recommandons de faire fonctionner la pompe avec l'aspiration fermée pendant 30 minutes environ.

Cette opération permet de se débarrasser de la présence éventuelle de condensation dans la chambre d'aspiration ce qui évite l'oxydation du rotor.

En cas d'arrêts prolongés de la machine, vider complètement la pompe pour éviter les risques de gel pendant la saison froide ou les corrosions dues à une possible altération chimique du liquide qui stagne dans la pompe.

5.1.4 POMPAGE DE VAPEUR D'EAU

Pendant le fonctionnement en présence de vapeur d'eau, la pompe aspire un mélange d'air et d'eau qui entre dans la pompe jusqu'au réservoir d'huile.

La vapeur d'eau est expulsée de la pompe sous l'action de la chaleur produite par celle-ci durant son fonctionnement. Sur les modèles LB.5, LC.12 e LC.20 est inclus un dispositif de lest d'air qui assure l'entrée permanente d'un flux d'air ambiant dans la chambre de compression, favorisant ainsi l'expulsion de la vapeur d'eau aspirée avant qu'elle ne se condense dans l'huile de lubrification.

Par conséquent, en cas de présence de vapeur d'eau dans l'air aspiré, il est recommandé de procéder au préchauffage de la pompe pendant environ 30 minutes avant sa mise en service sur le système pour lequel elle est destinée.

6 ENTRETIEN

6.1 AVERTISSEMENTS GENERAUX

Pour un bon entretien il est important de:

- vérifier tout de suite les causes d'éventuelles anomalies (bruit excessif, surchauffes, etc.),
- être particulièrement attentifs aux dispositifs de sécurité,
- se servir de toute la documentation fournie par le fabricant (manuels d'utilisation, schémas électriques, etc.),
- se servir uniquement d'outils adéquats pour le travail et de pièces de rechange originales.

En cas d'incompréhension des informations ou des procédures contenues dans ce chapitre, s'adresser à D.V.P. Vacuum Technology s.p.a. pour obtenir des éclaircissements avant de procéder.



DANGER

N'effectuer aucun type d'intervention, de modification et/ou de réparation de quelque nature que ce soit en dehors celles indiquées dans ce manuel.



Seul le personnel technique formé ou autorisé possède l'expérience nécessaire pour exécuter tout type d'intervention avec la technique opportune.



DANGER

Toutes les opérations d'entretien doivent être effectuées quand la pompe est débranchée des sources d'énergie. Ne pas opérer sur la pompe tant que celle-ci n'a pas atteint une température sans danger pour l'opérateur.



DANGER

Si l'entretien de la pompe est effectué de manière non conforme aux instructions fournies, avec des pièces de rechange non originales ou en tout cas s'il est effectué de manière telle qu'il nuit à l'intégrité de la pompe ou qu'il modifie ses caractéristiques, D.V.P. Vacuum Technology s.p.a. s'estimera déchargée de toute responsabilité inhérente à la sécurité des personnes et au fonctionnement défectueux de la pompe.

6.2 TABLEAU DES INTERVENTIONS

Le tableau suivant montre toutes les opérations périodiques nécessaires pour maintenir une efficacité parfaite de la pompe.

TYPE D'OPERATION	FREQUENCE	QUALIFITION OPERATEUR
Contrôle du niveau d'huile	24 h	
Remplacement de l'huile	500 h	
Nettoyage protection du ventilateur du moteur et nettoyage général de la pompe	1000 h	
Remplacement du filtre épurateur	2000 h	
Remplacement des palettes	10000 h	

Des entretiens plus fréquents peuvent être nécessaires selon le type d'utilisation (températures élevées des gaz aspirés, présence de vapeurs condensables dans les gaz aspirés, etc.).

6.2.1 CONTROLE DU NIVEAU DE L'HUILE

Vérifiez que le niveau de l'huile est à la moitié du voyant, dans le cas contraire procéder selon les instructions du paragraphe suivant.

Vérifiez l'état de l'huile; si elle apparait foncée et trouble, cela signifie qu'elle est polluée par des substances aspirées et elle doit être remplacée.

6.2.2 REMPLACEMENT DE L'HUILE

Procéder au remplacement de l'huile comme indiqué ci-dessous:

- mettre la pompe en marche avec la bouche d'aspiration fermée pendant 10 minutes environ de manière à ce que l'huile se fluidifie;
- arrêter la pompe et la débrancher du réseau d'alimentation;
- dévisser le bouchon de remplissage;
- se procurer un récipient de capacité suffisante pour contenir toute l'huile et ensuite ouvrir le bouchon de vidange de l'huile;
- laisser l'huile s'écouler complètement;

- fermer le bouchon de vidange et introduire l'huile neuve par le trou de remplissage jusqu'à ce que le niveau atteigne la moitié du voyant;
- fermer le bouchon de remplissage de l'huile;
- rétablir le branchement avec le réseau d'alimentation et vérifier que le sens de rotation de la pompe est correct (voir chap. 3.3);
- démarrer la pompe pendant quelques minutes avec l'aspiration fermée et rétablir, si nécessaire, le niveau de l'huile.



DANGER

Pour effectuer une telle opération, porter des dispositifs de protection adaptés.



DANGER

Pour la collecte et le traitement de l'huile usagée ou polluée, s'en remettre aux réglementations locales en vigueur.

6.2.3 NETTOYAGE PROTECTION VENTILATEUR DU MOTEUR ET NETTOYAGE GENERAL DE LA POMPE

Le nettoyage du radiateur, de la protection du ventilateur du moteur et de la pompe est nécessaire pour enlever les dépôts de poussière.

Procéder en utilisant de l'air comprimé et si nécessaire un chiffon sec.

Ne pas utiliser de liquides ni d'autres substances différentes de celles qui sont indiquées.



DANGER

Pour effectuer une telle opération, porter des dispositifs de protection adaptés.

6.2.4 REMPLACEMENT DU FILTRE DESHUILEUR

Le changement du filtre déshuileur au refoulement doit intervenir quand il est colmaté, endommagé ou lorsqu'il est au terme de son temps d'utilisation comme indiqué au chap.6.2. N'utiliser que des filtres de rechange d'origine DVP inclus dans le Kit filtre déshuileurs (voir chap.6.3). L'utilisation de pièces non originales entrainera une détérioration de la pompe.

Les Symptômes d'un filtre déshuileur colmaté ou endommagé sont une augmentation des fumées, du niveau sonore et de la consommation électrique du moteur (voir chap.9 points C,E). On peut déterminer le niveau de colmatage du filtre déshuileur en mesurant la ΔP générée par ce même filtre, pompe chaude. Sur les pompes équipées d'un point de mesure de la ΔP il est possible de procéder a la mesure par le branchement d'un manomètre ou de l'accessoire SIF.2 à cet endroit spécifique. Pour les pompes qui en sont dépourvues il est possible de connecter ces instruments de mesure à la place du bouchon de remplissage de l'huile. Pour une pompe en fonctionnement et de l'huile chaude, si la valeur de la ΔP sur le manomètre est supérieure à 0.7 bar (Au niveau de la mer), le filtre est colmaté. Si cela se produit vous devez remplacer le filtre déshuileur.

6.2.5 REMPLACEMENT DES PALETTES

Les instructions pour le remplacement des palettes sont disponibles sur demande.

6.3 PIECES DE RECHANGE

Pour le remplacement des éléments de la pompe il est recommandé d'utiliser des **Pièces de rechange Originales**.

Pour l'achat de pièces de rechange, citez toujours le modèle et le numéro de matricule de la pompe (vous trouverez ces données sur la plaquette d'identification) ainsi que le code de la pièce de rechange.

DESCRIPTION	LC.2	LC.4	LB.5	LB.6	LB.8	LC.12	LC.20
Kit filtre épurateur	K9601069	K9601070	K9601062	K9601058	K9601055	K9601064	K9601066
Kit entretien	K9601069/1	K9601070/1	K9601062/1	K9601058/1	K9601055/1	K9601064/1	K9601066/1
Huile 0,25 dm ³	8811025 (BV32) 8831025 (SW40)		8812025 (BV68) 8832025 (SW60)		8811025 (BV32) 8831025 (SW40)		
Huile 0,5 dm ³	8811050 (BV32) 8831050 (SW40)		8812050 (BV68) 8832050 (SW60)		8811050 (BV32) 8831050 (SW40)		
Huile 1 dm ³	8811100 (BV32) 8831100 (SW40)		8812100 (BV68) 8832100 (SW60)		8811100 (BV32) 8831100 (SW40)		
Voyage niveau huile	1105005		1105004	1105009		1105004	
Clapet anti-retour	Série						

D.V.P. Vacuum Technology s.p.a. décline toute responsabilité concernant d'éventuelles aggravations des prestations de la pompe ou des dommages procurés à celle-ci dus à l'utilisation de pièces de rechange non originales.

7 RETOUR DU PRODUIT

Le produit ne peut être retourné sans des accords préalables avec le fournisseur, lequel communiquera le numéro de l'autorisation qui devra accompagner le matériel restitué et qui devra être dûment remplie en tous points.

8 MISE AU REBUT

La démolition de la pompe doit être effectuée par des techniciens autorisés.

Les parties métalliques peuvent être traitées avec les déchets métalliques.

De toute manière, tous les matériaux provenant de la démolition doivent être traités en accord avec les réglementations en vigueur du pays dans lequel la pompe sera démolie.

DANGER



Pendant les opérations de traitement des déchets il subsiste des risques de coupure, de projection d'éclats, d'accrochage, de contacts avec les parties mobiles, de contacts avec les produits chimiques. Les opérateurs devront utiliser les dispositifs de protection individuelle appropriés.

9 RECHERCHE PANNES

PROBLÈMES	CAUSES	REMEDES
(A) La pompe ne démarre pas	Absence de tension	Fournir l'alimentation électrique
	Interrupteur thermique déclenché	Vérifier les causes qui l'ont déclenché et activer l'interrupteur
	Température ambiante trop basse	Amener la température ambiante dans l'intervalle admis
	Enroulement moteur endommagé	S'adresser au service d'assistance
(B) La pompe n'atteint pas le vide déclaré	Huile insuffisante dans le réservoir	Ajouter de l'huile
	Huile contaminée	Remplacer l'huile
	Évacuation obstruée	Vérifier les raccords au refoulement
(C) La pompe est bruyante	Filtre épurateur détérioré	Remplacer le filtre épurateur
	Coussinets endommagés	S'adresser au service assistance
	Palettes détériorées	S'adresser au service assistance
(D) Température de la pompe élevée	Huile non adaptée	Remplacer l'huile
	Ventilation ambiante insuffisante	Installer un ventilateur auxiliaire
	Ventilateur moteur cassé	S'adresser au service assistance
	Alimentation moteur incorrecte	Vérifier la tension d'alimentation
	Évacuation obstruée	Vérifier les raccords au refoulement
(E) Consommation d'huile élevée	Pression de travail élevée (proche de la pression atmosphérique)	Garder sous contrôle le niveau de l'huile
	Température de la pompe élevée	Voir point "D"
	Filtre épurateur détérioré	Remplacer filtre épurateur
(F) La pompe ne reste pas au vide après l'avoir éteinte	Clapet anti-retour détérioré (quand il est installé)	S'adresser au service assistance
(G) Fuite d'huile venant de la pompe	Vis réservoir ou bouchons non serrés	Serrer les vis ou les bouchons
	Joint du réservoir endommagé	S'adresser au service assistance
	Voyant du niveau non serré	Serrer le voyant de niveau

CONDITIONS GENERALES DE VENTE

D.V.P. Vacuum Technology s.p.a. fournit des produits s'adressant exclusivement à une clientèle de professionnels, ce qui exclut les consommateurs.

TERMES DE GARANTIE DES PRODUITS

D.V.P. Vacuum Technology s.p.a. garantit que les matériels fournis ne présentent aucun défaut de fabrication pour une durée de 24 mois d'utilisation normale, à compter de la date d'expédition. Ou pour une durée de 6 mois d'utilisation normale concernant les produits devant subir une réparation non couverte par la garantie. Par utilisation normale on entend un cycle de fonctionnement de 8 heures par jour pour un maximum de 5000 heures durant les 24 mois couverts par la garantie.

Par garantie on entend le remplacement ou la réparation gratuite auprès du réseau d'assistance des composants défectueux d'origine issus de la fabrication du produit.

En cas de réparation, D.V.P. Vacuum Technology s.p.a. garantit à l'acheteur exclusivement, le remplacement des pièces de rechange à l'identique pendant 24 mois, à compter de la date d'expédition ; après 24 mois, les pièces pourraient ne plus être disponibles sur le marché, c'est pourquoi les réparations, même sous garantie pourraient nécessiter le paiement de la différence entre le produit acheté et le produit installé durant la réparation. Ce prix sera indiqué au client avant de procéder à la réparation afin qu'il donne son approbation.

D.V.P. Vacuum Technology s.p.a. fera tout son possible pour respecter les délais d'assistance et de réponse *habituels* (20 jours ouvrés), qui pourront varier selon la distance et l'accessibilité du lieu où se trouve le produit et la disponibilité des composants.

D.V.P. Vacuum Technology s.p.a. ne sera pas responsable des pertes directes ou indirectes occasionnées par le non respect des délais d'assistance et n'aura aucune obligation contractuelle ou civile concernant les défauts présentés par les produits ou pour la non réparation de ces défauts dans un délai raisonnable.

En cas de panne irréparable le produit sera remplacé. Le remplacement de la pièce déterminera la prolongation de la garantie du nouveau produit jusqu'à sa date d'échéance.

Sont exclues de la garantie toutes les parties défectueuses dues à une négligence et/ou à une mauvaise utilisation du produit (non respect du manuel d'utilisation de l'appareil ou de l'entretien) ou à une mauvaise installation et/ou à un mauvais entretien du produit ou à un entretien opéré par des membres du personnel non autorisés, aux dommages dus au transport ou à des circonstances qui, dans tous les cas, ne sont pas imputables aux défauts de fabrication de l'appareil.

Sont également exclus de la garantie, tous les composants du produit qui ont été modifiés ou réparés sans l'autorisation préalable écrite de la société D.V.P. Vacuum Technology s.p.a.

De plus, la garantie est également exclue en cas de défauts dérivants d'une utilisation impropre, de l'usure normale du produit, de courants galvaniques et électrostatiques, de corrosions chimiques, de falsification, remplacement, élimination de la plaque d'identification du produit.

La garantie ne couvre pas les défauts engendrés par des causes externes, telles que les accidents et les cas fortuits.

D.V.P. Vacuum Technology s.p.a. décline toute responsabilité envers quiconque, relative à tout dommage et toute conséquence quels qu'en soient le type et/ou le motif, pouvant dériver de l'utilisation du produit et des vices qu'il pourrait présenter.

À titre d'exemples, la société décline toute responsabilité :

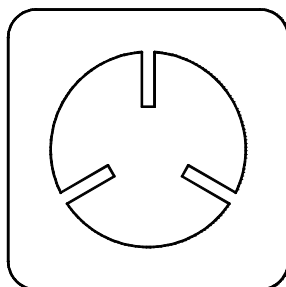
- pour les éventuels dommages directs ou indirects, pouvant toucher des personnes, choses ou animaux, dus au non respect de toutes les prescriptions indiquées dans le manuel d'utilisation et d'entretien, en particulier les avertissements liés à l'installation, l'utilisation et l'entretien de l'appareil ;
- pour les éventuels dommages causés/éventuelles pertes causées par des défauts ou déficiences des produits réparés par D.V.P. Vacuum Technology s.p.a. ;
- pour les éventuels dommages indirects ou consécutifs tels que, à titre d'exemple, la perte d'affaires, de bénéfices, d'appointements, de compensations, etc. ;

des pertes qui auraient pu être évitées par le client en suivant les conseils et les instructions de D.V.P. Vacuum Technology s.p.a.

L'acheteur renonce, dans tous les cas, à revendiquer tout droit et/ou prétention à lever toute exception et à promouvoir toute action, inhérentes à l'utilisation du produit.

La garantie ne s'étend pas aux parties consommables ou aux défauts dérivants des : cartouches filtrantes, palettes, membranes et joints toriques, ainsi qu'aux produits provenant de tiers qui feront partie du produit final.

Dans tous les cas, les frais de transport, d'enlèvement et de réinstallation consécutive du produit réparé ou remplacé, sont totalement à la charge du client.



D.V.P. Vacuum Technology s.p.a.
Via Rubizzano, 627
40018 San Pietro in Casale (BO) – Italy
Ph +3905118897101
Fx +3905118897170
www.dvp.it

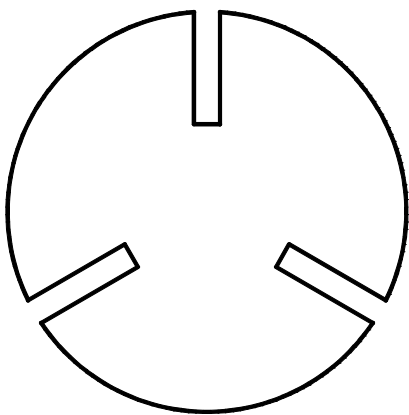
Cod. 8702036 – 12/04/2016 – R.7 – (FR)



VACUUM CE
TECHNOLOGY

MANUALE USO E MANUTENZIONE
(Istruzioni originali)

POMPE PER VUOTO LUBRIFICATE A RICIRCOLO



LC.2
LC.4
LB.5
LB.6
LB.8
LC.12
LC.20

INDICE

1	INTRODUZIONE	2
1.1	INFORMAZIONI GENERALI	2
1.2	DATI DEL COSTRUTTORE	2
1.3	MODALITA' DI CONSULTAZIONE	2
1.4	QUALIFICA DEL PERSONALE	2
1.5	DISPOSITIVI DI PROTEZIONE INDIVIDUALE	2
1.6	TARGHETTA IDENTIFICATIVA	3
2	SICUREZZA	3
2.1	AVVERTENZE GENERALI	3
2.2	RISCHI RESIDUI	3
2.3	PITTOGRAMMI	4
3	DESCRIZIONE POMPA	5
3.1	USO PREVISTO E CONTROINDICAZIONI	5
3.1.1	USO PREVISTO	5
3.1.2	CONTROINDICAZIONI	5
3.2	VERSIONE FKM	5
3.3	DIMENSIONI E CARATTERISTICHE	6
3.3.1	Modello: LC.2 – LC.4	6
3.3.2	Modello: LB.5	7
3.3.3	Modello: LB.6 – LB.8	8
3.3.4	Modello: LC.12	9
3.3.5	Modello: LC.20	10
3.4	EMISSIONI SONORE	11
4	INSTALLAZIONE	11
4.1	RICEVIMENTO E CONTROLLO DEL CONTENUTO	11
4.2	IMBALLO	11
4.3	TRASPORTO E MOVIMENTAZIONE	11
4.4	STOCCAGGIO	11
4.5	CONDIZIONI AMBIENTALI	12
4.6	INSTALLAZIONE DELLA POMPA	12
4.7	SISTEMA UTILIZZATORE	12
4.8	COLLEGAMENTO	12
4.8.1	CONNESSIONE ASPIRAZIONE E SCARICO	12
4.8.2	COLLEGAMENTO ELETTRICO	13
5	ISTRUZIONI D'USO	14
5.1	FUNZIONAMENTO	14
5.1.1	RIEMPIMENTO SERBATOIO DELL'OLIO	14
5.1.2	AVVIAMENTO	14
5.1.3	ARRESTO	14
5.1.4	POMPAGGIO DI VAPORI D'ACQUA	14
6	MANUTENZIONE	15
6.1	AVVERTENZE GENERALI	15
6.2	TABELLA DEGLI INTERVENTI	15
6.2.1	CONTROLLO LIVELLO OLIO	15
6.2.2	SOSTITUZIONE OLIO	15
6.2.3	PULIZIA PROTEZIONE VENTOLA E PULIZIA GENERALE	16
6.2.4	SOSTITUZIONE FILTRO DEPURATORE	16
6.2.5	SOSTITUZIONE DELLE PALETTE	16
6.3	RICAMBI	16
7	RITORNO DEL PRODOTTO	17
8	DISMISSIONE	17
9	RICERCA GUASTI	18

1 INTRODUZIONE

1.1 INFORMAZIONI GENERALI

Con questo manuale desideriamo fornirvi tutte le informazioni importanti per la sicurezza delle persone addette all'uso ed alla manutenzione della pompa.

Il presente manuale, redatto in lingua originale ITALIANO, costituisce parte integrante della pompa e deve essere conservato con cura per tutta la vita della stessa; in caso di vendita, noleggio, prestito d'uso della pompa esso deve essere consegnato al nuovo utilizzatore unitamente alla Dichiarazione CE di conformità.

È vietato effettuare qualsiasi operazione sulla pompa prima di aver letto attentamente e compreso tutte le istruzioni contenute nel presente manuale.

Le immagini contenute nel presente manuale hanno scopo esemplificativo e non sono impegnative per il Costruttore che si riserva il diritto di effettuare modifiche di componenti, parti a scopo migliorativo o per altra ragione senza aggiornare questo manuale se esse non alterano il funzionamento e la sicurezza della pompa.

1.2 DATI DEL COSTRUTTORE

D.V.P. Vacuum Technology s.p.a.

Via Rubizzano, 627
40018 - S. Pietro in Casale (BO) - ITALY

Ph +3905118897101
Fx +3905118897170
e-mail: info@dvp.it
website: <http://www.dvp.it>

Per qualsiasi comunicazione relativa alla pompa, vi preghiamo di riportare sempre le seguenti informazioni:

- modello e matricola della pompa;
- anno di fabbricazione;
- data di acquisto;
- indicazioni dettagliate sui problemi riscontrati.

1.3 MODALITA' DI CONSULTAZIONE

Per una maggiore comprensione delle informazioni fornite in questo manuale, le avvertenze o le istruzioni considerate critiche o pericolose sono evidenziate con la seguente simbologia:



PERICOLO

Per istruzioni che, se disattese, possono causare condizioni di pericolo per le persone.



ATTENZIONE

Per istruzioni che, se disattese, possono provocare danni alla pompa.

1.4 QUALIFICA DEL PERSONALE

Per fare in modo che tutte le operazioni eseguite sulla pompa avvengano in condizioni di sicurezza, è necessario che gli operatori addetti abbiano la qualifica ed i requisiti tali per svolgere le relative operazioni.

Gli operatori sono così classificati:



OPERATORE DI PRIMO LIVELLO:

personale non qualificato, ossia privo di competenze specifiche, in grado di svolgere solo mansioni semplici.



MANUTENTORE MECCANICO:

tecnico qualificato in grado di intervenire sugli organi meccanici per effettuare tutte le regolazioni, interventi di manutenzione e riparazioni necessarie. Non è abilitato a interventi su impianti elettrici in presenza di tensione.



MANUTENTORE ELETTRICO:



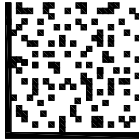
tecnico qualificato preposto a tutti gli interventi di natura elettrica. E' in grado di operare in presenza di tensione all'interno di armadi e scatole di derivazione.

1.5 DISPOSITIVI DI PROTEZIONE INDIVIDUALE

Questo manuale d'uso presuppone che la pompa sia installata in luoghi di lavoro dove siano rispettate tutte le prescrizioni obbligatorie di sicurezza; in particolare, è obbligatorio che il personale sia munito dei dispositivi di protezione individuali in relazione alle attività che deve compiere.

1.6 TARGHETTA IDENTIFICATIVA

Tutte le pompe sono provviste di una targhetta di identificazione su cui sono indicati il nome del costruttore, indirizzo, marchio CE, anno di fabbricazione ed i dati tecnici della stessa.

	D.V.P. Vacuum Technology s.p.a. Made in Italy - www.dvp.it	
TYPE:	<input type="text"/>	
<input type="radio"/> S/N:	<input type="text"/>	YEAR <input type="text"/> kg <input type="radio"/>
Hz	m ³ /h	mbar (Abs.) hPa
<input type="text"/>	<input type="text"/>	<input type="text"/>
		



ATTENZIONE

E' assolutamente vietato asportare o manomettere la targa di identificazione.

2 SICUREZZA

2.1 AVVERTENZE GENERALI

Prima di effettuare qualsiasi operazione sulla pompa è importante leggere il presente manuale. Si raccomanda sempre il rispetto delle norme di sicurezza della nazione in cui la pompa è installata e la necessità di ricorrere a personale specializzato nelle varie operazioni di installazione, uso, manutenzione, etc. necessarie durante la vita della pompa.

Le principali regole di comportamento da osservare per lavorare con un buon livello di sicurezza sono le seguenti:

- Le operazioni di installazione, uso, manutenzione, etc. devono essere sempre effettuate da personale qualificato ed addestrato.
- E' buona regola indossare sempre e senza eccezione i previsti dispositivi di protezione individuale.
- Effettuare sempre tutte le operazioni di pulizia, regolazione, manutenzione assicurandosi che tutte le alimentazioni di energia risultino sezionate.
- Non dirigere mai getti d'acqua contro le parti elettriche, anche se queste sono protette da involucri.
- Non fumare o utilizzare fiamme libere durante il lavoro o la manutenzione, a maggior ragione nel caso venissero usati solventi o materiali infiammabili.
- Non danneggiare le targhe segnaletiche ed i pittogrammi applicati alla pompa; nel caso che esse vengano danneggiate inavvertitamente, provvedere immediatamente alla loro sostituzione con altre identiche.

D.V.P. Vacuum Technology s.p.a. declina ogni responsabilità per danni a persone o cose derivanti dall'uso improprio della pompa, dalla manomissione dei suoi apparati di sicurezza o dall'inosservanza delle norme di sicurezza sul lavoro.

2.2 RISCHI RESIDUI

PERICOLO



La pompa è stata progettata in modo da ridurre al minimo il rischio residuo per il personale. Invitiamo, in ogni caso, alla cautela e all'attenzione nello svolgimento delle operazioni di manutenzione; la confidenza che si ottiene con il frequente contatto con la pompa induce, troppo spesso, a dimenticare o a sottovalutare eventuali rischi.

Pericolo temperature elevate

Le superfici della pompa possono superare la temperatura di 70°C; installare la pompa in una zona protetta, accessibile solo da personale autorizzato ed effettuare qualsiasi intervento solo a pompa ferma e raffreddata.

Pericolo generato dalla depressione

Evitare il contatto con l'attacco d'aspirazione della pompa per vuoto durante il funzionamento. Immettere aria nel circuito di aspirazione prima di ogni intervento. Il contatto con punti in depressione può essere causa di infortuni.

Pericolo generato dalla pressione

Il serbatoio della pompa è pressurizzato; non aprire e non dimenticare aperti i tappi di carico o scarico olio durante il funzionamento.

Pericolo da emissione sostanze nocive

L'aria di scarico della pompa contiene tracce di nebbie d'olio; verificare la compatibilità con l'ambiente di lavoro. Un guasto o l'usura delle tenute possono provocare perdite d'olio lubrificante; evitare la dispersione nel terreno e l'inquinamento di altri materiali.

Qualora venisse aspirata aria contenente sostanze pericolose (es. agenti biologici o microbiologici), utilizzare sistemi di abbattimento posti prima della pompa per vuoto. Gli oli esausti devono essere smaltiti secondo le norme vigenti nel paese d'utilizzo della pompa.

Pericolo elettrico

Nell'equipaggiamento elettrico della pompa esistono parti sottoposte a tensione che, al contatto, possono provocare gravi danni a persone e cose. Qualsiasi tipo di intervento sull'impianto elettrico deve essere effettuato esclusivamente da personale specializzato.

Pericolo incendio

L'utilizzo della pompa per impieghi non previsti o proibiti da questo manuale, o la mancanza di una corretta manutenzione, possono provocare anomalie di funzionamento con rischio di surriscaldamento e incendio. In caso di incendio non usare acqua per spegnere le fiamme; utilizzare estintori a polvere o CO₂ od altri mezzi compatibili con la presenza di equipaggiamenti elettrici ed oli lubrificanti.

Pericolo di scivolamento e/o caduta

Le pompe per vuoto della serie "L" impiegano, per il loro funzionamento, olio lubrificante. La semplice manutenzione o un uso non conforme a quanto prescritto nel presente manuale può provocare il danneggiamento delle guarnizioni e/o delle tenute e causare il gocciolamento di lubrificante sul pavimento, il quale può essere causa di scivolamento e/o caduta del personale.

Pericolo d'impigliamento

In prossimità del carter protezione ventola del motore elettrico persiste l'imminente pericolo di impigliamento o intrappolamento di capelli e indumenti nella ventola di raffreddamento alloggiata all'interno della protezione stessa. Raccogliere i capelli lunghi e non indossare indumenti larghi, stringhe lunghe o altri oggetti che possano rimanere impigliati.

Pericolo generato dalla proiezione di parti

Installare la pompa in modo da evitare che il personale addetto ai lavori possa essere colpito direttamente da componenti, o parte di essi, proiettati attraverso il carter protezione ventola, in seguito all'eventuale rottura della ventola di raffreddamento.

2.3 PITTOGRAMMI

Sulla pompa sono applicati dei pittogrammi con simboli di avvertenza e di sicurezza per gli operatori. Leggere attentamente e prendere conoscenza dei simboli e del loro messaggio prima di utilizzare la pompa.

**PERICOLO ELETTRICO**

Si è in vicinanza di connessioni elettriche (protette) ma il cui accidentale contatto può provocare folgorazione e morte.

**PERICOLO SUPERFICI CALDE**

Si è in vicinanza di superfici con temperatura superiore a 70°C che possono dar luogo a ustioni di media gravità.

**FARE RIFERIMENTO AL MANUALE/LIBRETTO DI ISTRUZIONI**

Prima di effettuare qualsiasi operazione leggere attentamente il manuale d'uso e manutenzione.

D.V.P. Vacuum Technology s.p.a. declina ogni responsabilità per danni a persone o cose a causa della mancata osservanza delle norme segnalate dai pittogrammi o dalla loro non perfetta conservazione.

3 DESCRIZIONE POMPA

3.1 USO PREVISTO E CONTROINDICAZIONI

3.1.1 USO PREVISTO

Le pompe descritte in questo manuale sono del tipo rotativo a palette, lubrificate a ricircolo d'olio. Queste pompe per vuoto sono state progettate espressamente per lavorare con aria pulita, gas inerti o piccole quantità di vapori d'acqua la cui temperatura, alla bocca di aspirazione della pompa, deve essere compresa tra 12 e 40°C. Questa serie di pompe è idonea all'evacuazione di piccoli contenitori chiusi o, per alcuni modelli, al funzionamento in continuo a pressioni assolute come indicato nel paragrafo 3.3 "Dimensioni e Caratteristiche". Ogni altro uso è vietato. Il Costruttore non risponde di alcun danno a persone e/o oggetti causati dall'uso improprio o non consentito della pompa.

3.1.2 CONTROINDICAZIONI



Qualsiasi impiego diverso da quello per cui la pompa è stata costruita rappresenta una condizione anomala e quindi può arrecare danno alla pompa stessa e costituire un serio pericolo per l'operatore.

Di seguito sono riportate una serie di operazioni, relative all'uso improprio della pompa, che non sono consentite in alcun caso.

- Non utilizzare la pompa in atmosfera esplosiva, aggressiva o ad alta concentrazione di polveri o sostanze oleose in sospensione nell'aria e comunque non impiegarla per pompare gas esplosivi, infiammabili, corrosivi o che formano particelle. L'uso della pompa in queste atmosfere e con questi tipi di gas può provocare lesioni, esplosioni, incendi o guasti gravi alla pompa;
- non usare parti di ricambio non originali e non previste dal costruttore;
- non utilizzare l'unità per pompare materiali solidi, sostanze chimiche, polveri, solventi o altre sostanze diverse da quelle consentite. Questi tipi di materiali possono danneggiare l'unità, degradarne le prestazioni o ridurne la vita utile;
- non esporre la pompa a pioggia, vapore o umidità eccessiva;
- non riporre o stoccare a ridosso o in vicinanza di materiali o sostanze infiammabili o combustibili;
- non utilizzare la pompa come compressore.

3.2 VERSIONE FKM

La pompa costruita secondo questa versione è dotata di particolari accorgimenti tecnici quali l'impiego di guarnizioni realizzate in FKM che ne permettono l'impiego anche in presenza di alcuni gas aggressivi.

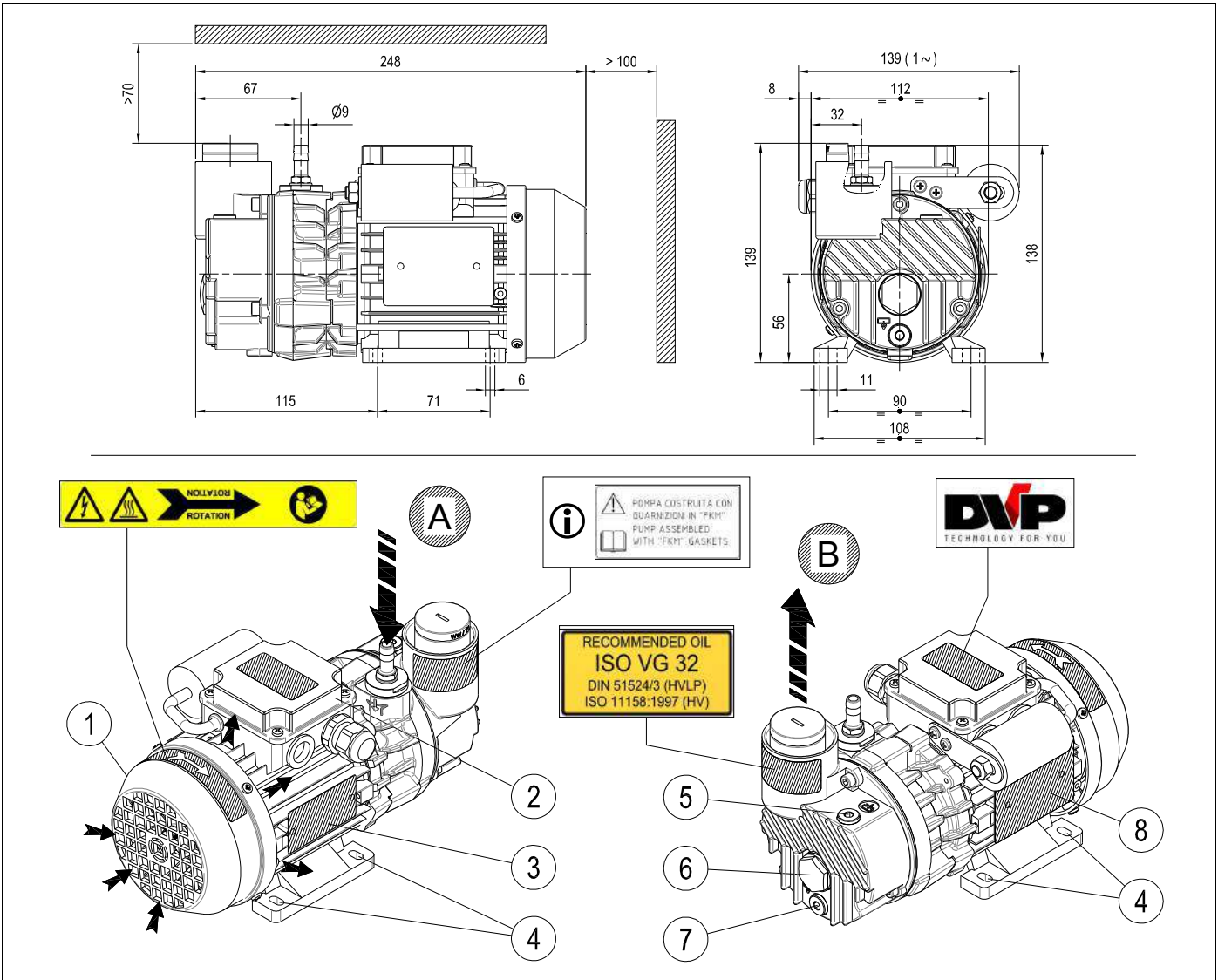


ATTENZIONE

Contattare il costruttore per assicurarsi che il gas aggressivo in oggetto rientri tra quelli con cui la pompa può lavorare.

3.3 DIMENSIONI E CARATTERISTICHE

3.3.1 Modello: LC.2 – LC.4



A	Aspirazione
B	Scarico
1	Protezione ventola motore
2	Scatola morsettieria

3	Targhetta identificativa
4	Punti di fissaggio
5	Tappo carico olio
6	Spia livello olio

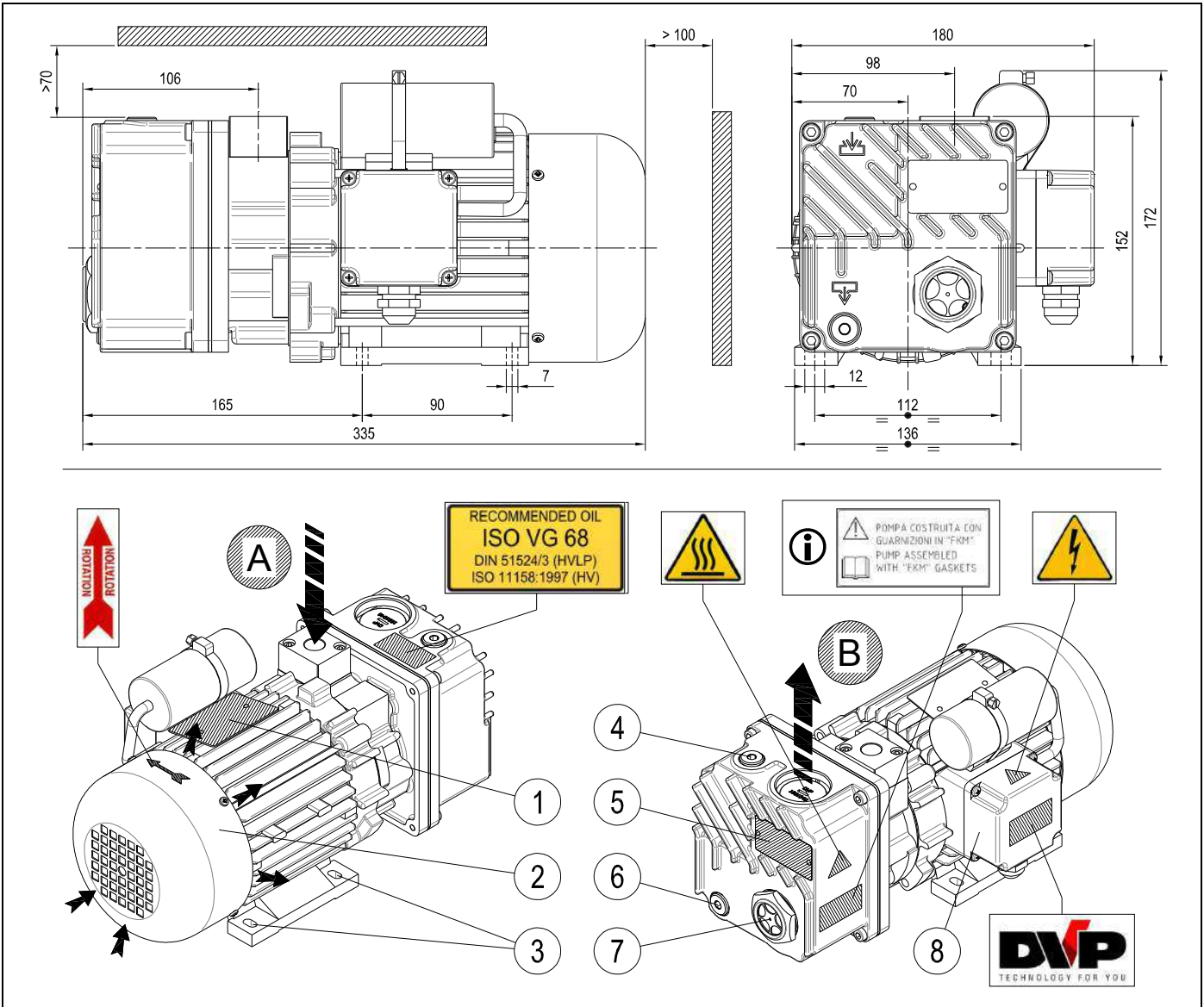
7	Tappo scarico olio
8	Targhetta motore
ⓘ	Presenti solo su versioni speciali

CARATTERISTICHE TECNICHE

		LC.2		LC.4	
		50 Hz	60 Hz	50 Hz	60 Hz
Portata	m³/h	2	2,5	4	4,8
Pressione finale (Ass.)	mbar - hPa	10		2	
Max pressione di aspirazione per vapore d'acqua	mbar - hPa	----			
Max q.tà vapore d'acqua	kg/h	----			
Potenza motore	kW (1~ / 3~)	0,12 / 0,12	0,15 / 0,15	0,12 / 0,12	0,15 / 0,15
Numero di giri nominale	n/min	2800	3300	2800	3300
Rumorosità (UNI EN ISO 2151) (K 3dB)	dB(A)	48	52	48	52
Peso	kg (1~ / 3~)	5,4 / 5,4			
Tipo olio	cod. DVP	BV32 (SW40)			
Carica olio	dm³	0,065			
Aspirazione / Scarico pompa		Ø9mm (1/8"G) / - - -			
Campo di lavoro in continuo (Ass.)	mbar - hPa	500 ÷ 10		----	
Temperatura di funzionamento (temp. ambiente 20°C)	°C	50 ÷ 55	55 ÷ 60	50 ÷ 55	55 ÷ 60
Temperatura ambiente di lavoro richiesta	°C	12 ÷ 40			
Temp. ambiente di immagazzinaggio/trasporto	°C	-20 ÷ 50			
MAX umidità / altitudine		80% / 1000m s.l.m. *			

(*) Per condizioni ambientali differenti da quelle prescritte contattare il Costruttore.

3.3.2 Modello: LB.5



A	Aspirazione
B	Scarico
1	Targhetta motore
2	Protezione ventola motore

3	Punti di fissaggio
4	Tappo carico olio
5	Targhetta identificativa
6	Tappo scarico olio

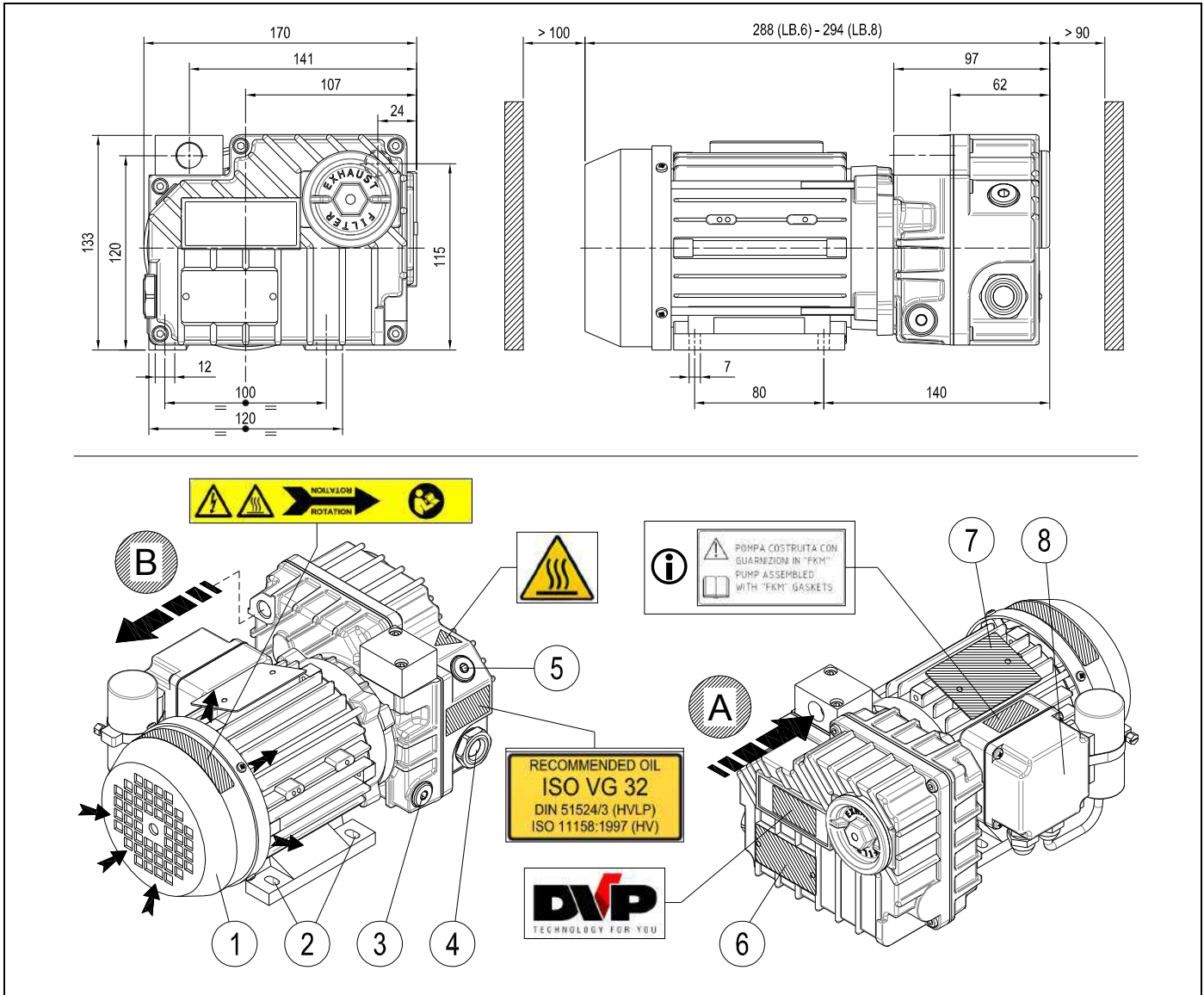
7	Spia livello olio
8	Scatola morsettiere
i	Presenti solo su versioni speciali

CARATTERISTICHE TECNICHE

		LB.5	
		50 Hz	60 Hz
Portata	m ³ /h	5	6
Pressione finale (Ass.)	mbar - hPa		10
Max pressione di aspirazione per vapore d'acqua	mbar - hPa		30
Max q.tà vapore d'acqua	kg/h		0,11
Potenza motore	kW (1~ / 3~)	0,25 / 0,37	0,25 / 0,45
Numero di giri nominale	n/min	1400	1700
Rumorosità (UNI EN ISO 2151) (K 3dB)	dB(A)	58	60
Peso	kg (1~ / 3~)	13,0 / 11,5	
Tipo olio	cod. DVP	BV68 (SW60)	
Carica olio	dm ³	0,20	
Aspirazione / Scarico pompa	"G	3/8	
Campo di lavoro in continuo (Ass.)	mbar - hPa	400 ÷ 10	
Temperatura di funzionamento (temp. ambiente 20°C)	°C	65 ÷ 70	70 ÷ 75
Temperatura ambiente di lavoro richiesta	°C	12 ÷ 40	
Temp. ambiente di immagazzinaggio/trasporto	°C	-20 ÷ 50	
MAX umidità / altitudine		80% / 1000m s.l.m. *	

(*) Per condizioni ambientali differenti da quelle prescritte contattare il Costruttore.

3.3.3 Modello: LB.6 – LB.8



A	Aspirazione
B	Scarico
1	Protezione ventola motore
2	Punti di fissaggio

3	Tappo scarico olio
4	Spia livello olio
5	Tappo carico olio
6	Targhetta identificativa

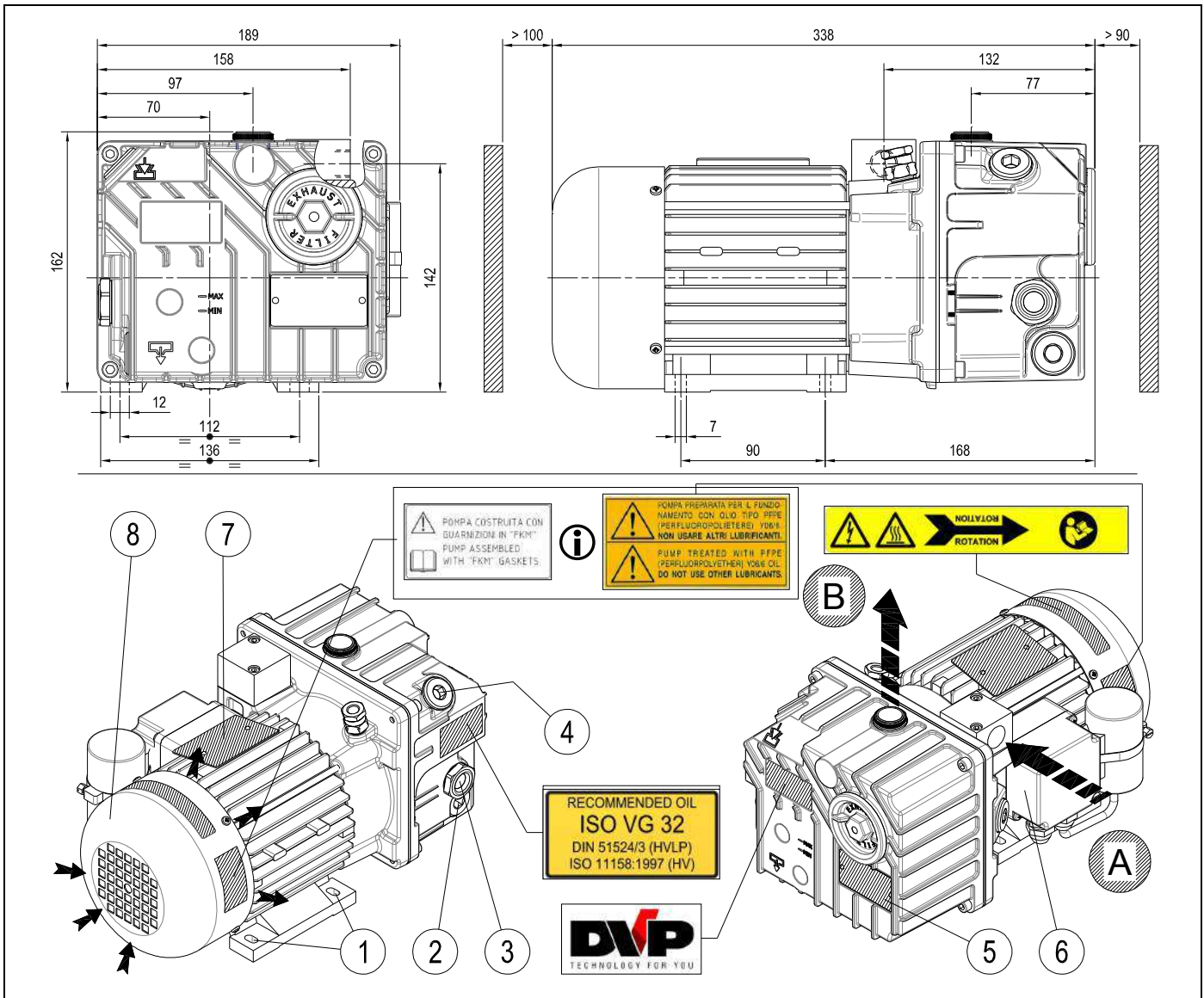
7	Targhetta motore
8	Scatola morsetti
i	Presenti solo su versioni speciali

CARATTERISTICHE TECNICHE

		LB.6		LB.8	
		50 Hz	60 Hz	50 Hz	60 Hz
Portata	m ³ /h	6	7	8	9
Pressione finale (Ass.)	mbar - hPa	2			
Max pressione di aspirazione per vapore d'acqua	mbar - hPa	----			
Max q.tà vapore d'acqua	kg/h	----			
Potenza motore	kW (1~ / 3~)	0,25 / 0,25	0,30 / 0,30	0,25 / 0,25	0,30 / 0,30
Numero di giri nominale	n/min	2800	3300	2800	3300
Rumorosità (UNI EN ISO 2151) (K 3dB)	dB(A)	58	60	58	60
Peso	kg (1~ / 3~)	10,0 / 9,0			
Tipo olio	cod. DVP	BV32 (SW40)			
Carica olio	dm ³	0,20			
Aspirazione / Scarico pompa	"G	3/8			
Campo di lavoro in continuo (Ass.)	mbar - hPa	----			
Temperatura di funzionamento (temp. ambiente 20°C)	°C	65 ÷ 70	70 ÷ 75	70 ÷ 75	75 ÷ 80
Temperatura ambiente di lavoro richiesta	°C	12 ÷ 40			
Temp. ambiente di immagazzinaggio/trasporto	°C	-20 ÷ 50			
MAX umidità / altitudine		80% / 1000m s.l.m. *			

(*) Per condizioni ambientali differenti da quelle prescritte contattare il Costruttore.

3.3.4 Modello: LC.12



A	Aspirazione
B	Scarico
1	Punti di fissaggio
2	Tappo scarico olio

3	Spia livello olio
4	Tappo carico olio
5	Targhetta identificativa
6	Scatola morsettiera

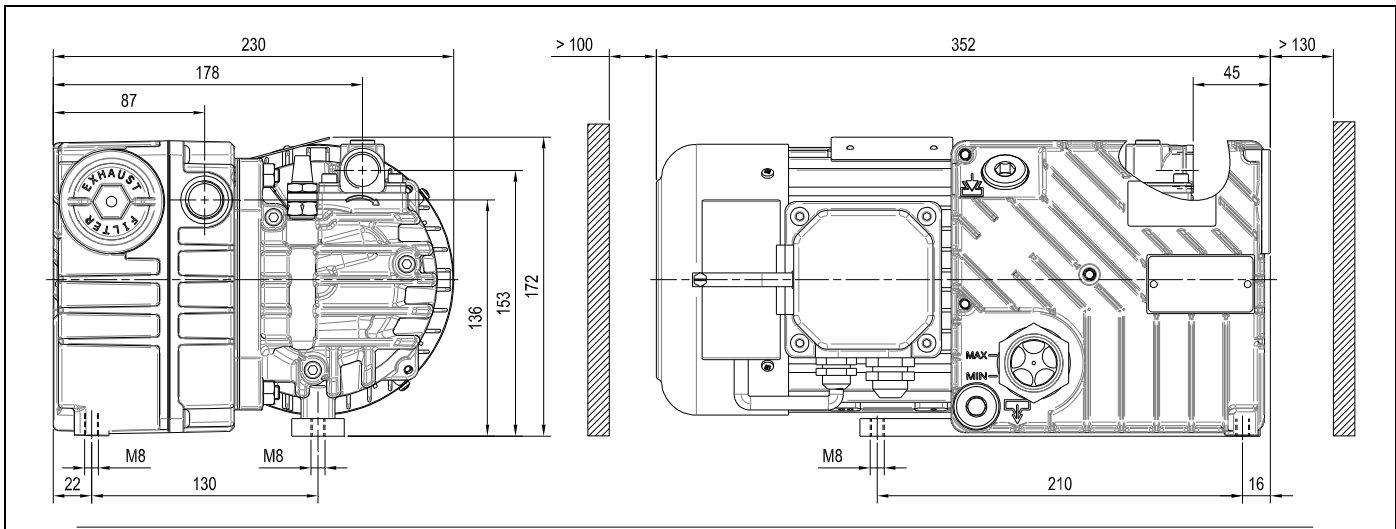
7	Targhetta motore
8	Protezione ventola motore
i	Presenti solo su versioni speciali

CARATTERISTICHE TECNICHE

		LC.12	
		50 Hz	60 Hz
Portata	m ³ /h	12	14
Pressione finale (Ass.)	mbar - hPa	2	
Max pressione di aspirazione per vapore d'acqua	mbar - hPa	35	
Max q.tà vapore d'acqua	kg/h	0,3	
Potenza motore	kW (1~ / 3~)	0,45 / 0,37	0,55 / 0,45
Numero di giri nominale	n/min	2800	3300
Rumorosità (UNI EN ISO 2151) (K 3dB)	dB(A)	62	64
Peso	kg (1~ / 3~)	14,0 / 12,5	
Tipo olio	cod. DVP	BV32 (SW40)	
Carica olio	Min÷Max dm ³	0,30 ÷ 0,40	
Aspirazione / Scarico pompa	"G	1/2	
Campo di lavoro in continuo (Ass.)	mbar - hPa	400 ÷ 2	
Temperatura di funzionamento (temp. ambiente 20°C)	°C	60 ÷ 65	65 ÷ 70
Temperatura ambiente di lavoro richiesta	°C	12 ÷ 40	
Temp. ambiente di immagazzinaggio/trasporto	°C	-20 ÷ 50	
MAX umidità / altitudine		80% / 1000m s.l.m. *	

(*) Per condizioni ambientali differenti da quelle prescritte contattare il Costruttore.

3.3.5 Modello: LC.20

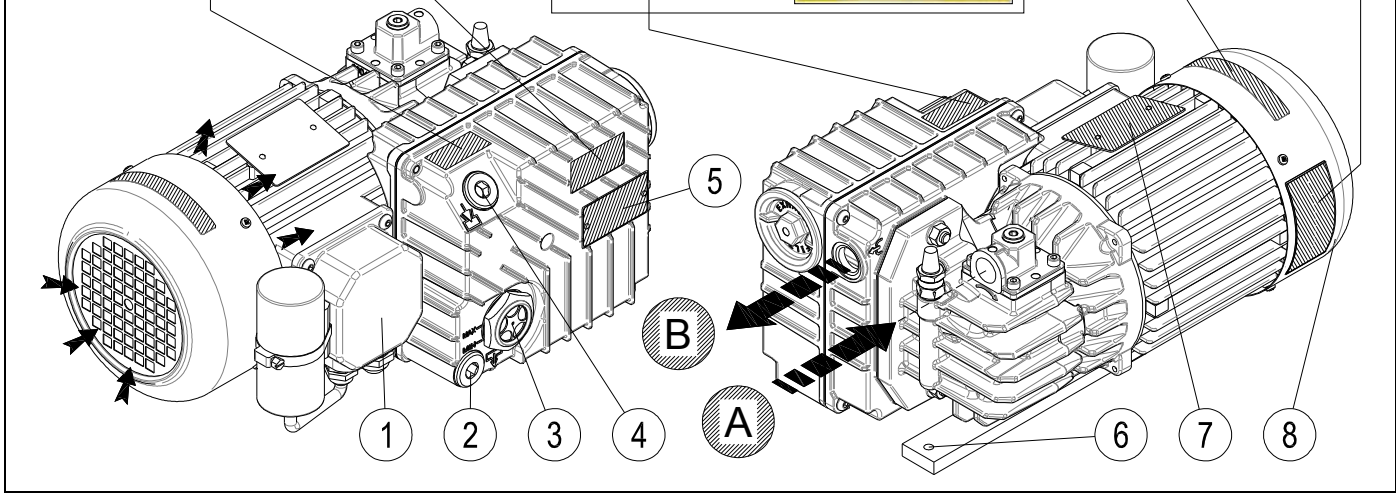


RECOMMENDED OIL
ISO VG 32
 DIN 51524/3 (HVL P)
 ISO 11158:1997 (HV)



⚠️ POMPA COSTRUITA CON GUARNIZIONI IN "FKM"
 PUMP ASSEMBLED WITH "FKM" GASKETS

⚠️ POMPA PREPARATA PER L'UNDO
 NAMENTO CON OLIO TIPO PPE
 (PERFLUORO-POLIETERE) / PPE
 NON USARE ALTRI LUBRIFICANTI!
 PUMP TREATED WITH PPE
 (PERFLUORO-POLYETHER) TYPE OIL
 DO NOT USE OTHER LUBRICANTS



A	Aspirazione
B	Scarico
1	Scatola morsetti
2	Tappo scarico olio

3	Spia livello olio
4	Tappo carico olio
5	Targhetta identificativa
6	Punti di fissaggio

7	Targhetta motore
8	Protezione ventola motore
ⓘ	Presenti solo su versioni speciali

CARATTERISTICHE TECNICHE		LC.20	
		50 Hz	60 Hz
Portata	m ³ /h	20	24
Pressione finale (Ass.)	mbar - hPa	2	
Max pressione di aspirazione per vapore d'acqua	mbar - hPa	15	
Max q.tà vapore d'acqua	kg/h	0,25	
Potenza motore	kW (1~ / 3~)	0,75 / 0,75	0,90 / 0,90
Numero di giri nominale	n/min	2800	3300
Rumorosità (UNI EN ISO 2151) (K 3dB)	dB(A)	64	67
Peso	kg (1~ / 3~)	19,0 / 17,0	
Tipo olio	cod. DVP	BV32 (SW40)	
Carica olio	Min+Max dm ³	0,45 ± 0,50	
Aspirazione / Scarico pompa	"G	1/2	
Campo di lavoro in continuo (Ass.)	mbar - hPa	400 ± 2	
Temperatura di funzionamento (temp. ambiente 20°C)	°C	60 ÷ 65	65 ÷ 70
Temperatura ambiente di lavoro richiesta	°C	12 ÷ 40	
Temp. ambiente di immagazzinaggio/trasporto	°C	-20 ÷ 50	
MAX umidità / altitudine		80% / 1000m s.l.m. *	

(*) Per condizioni ambientali differenti da quelle prescritte contattare il Costruttore.

3.4 EMISSIONI SONORE

La pompa è stata progettata e costruita in modo da ridurre la rumorosità alla sorgente. I valori di pressione sonora riportati nella tabella delle caratteristiche tecniche, sono stati rilevati al massimo vuoto con scarico convogliato in conformità alla norma UNI EN ISO 2151.

4 INSTALLAZIONE

4.1 RICEVIMENTO E CONTROLLO DEL CONTENUTO

Al ricevimento della pompa è necessario verificare che l'imballo sia integro oppure se presenta evidenti segni di danneggiamento dovuti al trasporto o alle condizioni di stoccaggio. Se il tutto è integro, procedere al disimballo ed al controllo della stessa. Diversamente, nel caso si riscontrino danneggiamenti all'imballo occorre avvertire immediatamente l'agente di trasporto ed il costruttore.

E' sempre necessario controllare che il materiale ricevuto corrisponda a quello indicato nel documento di accompagnamento.

L'imballo deve essere aperto adottando tutte le precauzioni per evitare danni alle persone ed al contenuto dello stesso.

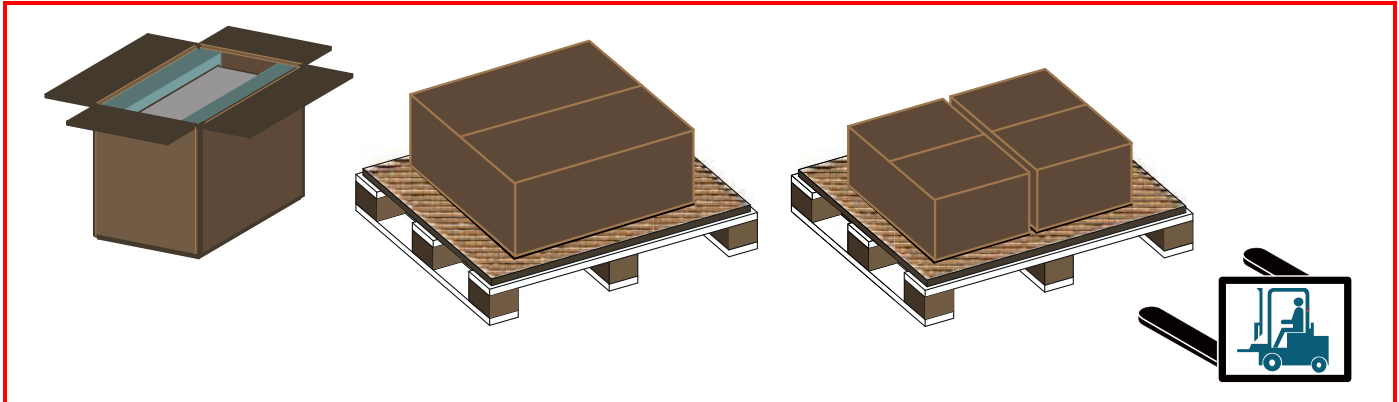
4.2 IMBALLO

La pompa, a seconda delle dimensioni e in funzione delle modalità di trasporto, viene imballata nelle seguenti modalità:

- in cartone singolo con materiale di riempimento;
- su pallet di legno con copertura in cartone;
- in cartoni singoli posizionati su pallet con film protettivo.

Il legno del pallet può essere riutilizzato o riciclato in conformità alle leggi vigenti nel paese di installazione della pompa. Gli altri materiali come cartone, plastica o il film protettivo devono essere smaltiti in accordo alle normative locali vigenti in materia.

Non bruciare né disperdere nell'ambiente i componenti dell'imballo.



4.3 TRASPORTO E MOVIMENTAZIONE



PERICOLO

Le operazioni di trasporto, sollevamento e movimentazione devono essere effettuate da personale esperto e qualificato.

La pompa può essere sollevata e movimentata con carrelli elevatori o con mezzi di sollevamento (funi, ganci, etc.) adeguati al peso della stessa, riportato nella tabella dei dati tecnici, e comunque sulla targhetta identificativa. La movimentazione ed il trasporto manuali sono consentiti solamente in accordo alle normative locali vigenti in materia.



ATTENZIONE

Per il trasporto è consigliato preparare la pompa come riportato nel capitolo successivo e svuotare il serbatoio dall'olio (vedi paragrafo "Sostituzione olio").

4.4 STOCCAGGIO

Svuotare la pompa dall'olio presente al suo interno e chiudere l'aspirazione e lo scarico con le apposite protezioni. Le pompe devono essere stoccate nei propri imballi e conservate in luoghi coperti, asciutti, protetti e non esposti ai raggi diretti del sole ed a temperature comprese nell'intervallo indicato nella tabella delle caratteristiche tecniche.

In caso di lunghi periodi di sosta in magazzino o messa fuori produzione con stoccaggio è necessario che il luogo risponda alle caratteristiche prescritte al capitolo 3 (Descrizione pompa). Al fine di mantenere l'efficienza e funzionalità delle parti in gomma e delle tenute a labbro , raccomandiamo di mettere in funzione la pompa per

almeno 30 minuti ogni 6 mesi, con bocca d'aspirazione chiusa, seguendo tutte le indicazioni e prescrizioni riportate nel presente manuale con particolare attenzione a quelle indicate al capitolo 5 (Istruzioni d'uso). L'inosservanza di questa prescrizione potrebbe dar luogo a deterioramento delle parti in gomma con conseguente perdite di olio durante il funzionamento.

4.5 CONDIZIONI AMBIENTALI

La pompa deve essere installata e utilizzata in un locale coperto e sufficientemente illuminato. La zona d'installazione deve possedere tutti i requisiti in merito alle altezze, ai ricambi d'aria e rispettare le prescrizioni imposte dalla normativa vigente in materia.

Temperatura, Umidità e Altitudine

I relativi valori limite sono riportati nella tabella delle caratteristiche tecniche (capitolo 3.3). Per condizioni ambientali differenti da quelle prescritte contattare il Costruttore.

Illuminazione

Tutte le zone devono essere illuminate in modo uniforme e sufficiente per garantire tutte le operazioni previste nel manuale, evitando zone d'ombra, riflessi, abbagliamento e affaticamento della vista.

4.6 INSTALLAZIONE DELLA POMPA

Per assicurare un perfetto funzionamento della pompa alloggiarla e posizionarla nel rispetto delle seguenti modalità:

- Lasciare uno spazio sufficiente sui lati perimetrali della pompa, ed assicurarsi di tenere libero il lato di ventilazione del motore.
- Verificare che lo spazio libero adiacente alla pompa permetta un facile accesso ai componenti per verifica o manutenzione e permetta inoltre l'accesso agli idonei mezzi di sollevamento.
- La pompa è dotata di punti di fissaggio; è necessario provvedere al suo bloccaggio su di un piano perfettamente orizzontale, per evitare pericoli di ribaltamento in caso di trasporto del sistema utilizzatore.
- Alcuni modelli sono già dotati di antivibranti in gomma, montati in corrispondenza dei punti di fissaggio della pompa; qualora il modello non ne fosse dotato, provvedere all'installazione di detti accessori in modo da non trasmettere vibrazioni alla pompa.
- Assicurare il ricambio d'aria nel locale o all'interno della macchina in cui è alloggiata la pompa ed evitare che l'aria proveniente dallo scarico o dalle ventole di raffreddamento possa creare disagio al personale.



ATTENZIONE

Non installare la pompa in una zona con polvere o altri materiali che potrebbero intasare o coprire rapidamente le superfici di raffreddamento.

4.7 SISTEMA UTILIZZATORE

Assicuratevi che il sistema utilizzatore non sia contaminato da sostanze nocive durante le operazioni di installazione.

Montate una valvola di isolamento fra pompa e impianto se desiderate che questo rimanga in vuoto anche a pompa ferma.

Assicuratevi che non vengano trasmesse vibrazioni o carichi sugli attacchi della pompa e sulla pompa stessa.

4.8 COLLEGAMENTO



PERICOLO

I collegamenti elettrici e meccanici della pompa devono essere effettuati esclusivamente da personale qualificato ed appositamente addestrato.

4.8.1 CONNESSIONE ASPIRAZIONE E SCARICO

Il collegamento al sistema utilizzatore (sia in aspirazione che in scarico) deve essere eseguito con tubazioni aventi diametro uguale o maggiore di quello della bocca di aspirazione della pompa. Il peso delle tubazioni e le eventuali dilatazioni non devono gravare sulle connessioni della pompa.

Si consiglia di effettuare il tratto di collegamento finale alla pompa impiegando tubi o raccordi flessibili. E' importante che tutte le tubazioni ed i vari giunti siano a tenuta. Tubazioni molto lunghe o di diametro troppo piccolo diminuiscono le prestazioni della pompa.



PERICOLO

Evitare che i gas di scarico ristagnino nell'ambiente di lavoro.



ATTENZIONE

Utilizzare un filtro in aspirazione, specialmente se la pompa lavora con flussi non puliti.

I gas di scarico della pompa devono essere trattati in modo che non vadano a contaminare l'ambiente di lavoro e l'atmosfera circostante. Se vengono aspirati vapori condensabili occorre che la condensa formatasi nella linea di scarico non si accumuli né rifluisca nella pompa; la tubazione dovrà essere quindi discendente e priva di curve. Evitare comunque tubazioni in gomma telata, diametri troppo piccoli (mai minori del diametro della bocca di aspirazione o scarico), lunghezze eccessive delle tubazioni, curve strette e frequenti.

**ATTENZIONE**

Non inserire nella tubazione di scarico raccordi o dispositivi che ostruiscono o impediscono lo smaltimento dei gas di scarico (max sovrappressione consentita allo scarico 0,3 bar).

4.8.2 COLLEGAMENTO ELETTRICO**ATTENZIONE**

Verificare che la tensione di alimentazione e la frequenza di rete corrispondono ai valori riportati sulla targhetta del motore.

Il cavo di collegamento deve essere adeguato alla potenza assorbita dalla pompa (i valori di assorbimento della pompa sono riportati sulla targhetta del motore) tenendo conto anche delle condizioni ambientali di funzionamento.

**PERICOLO**

Eeguire sempre la messa a terra della pompa.

Installare sempre un sistema di protezione elettrico tra la pompa e la rete di alimentazione; i valori di assorbimento della pompa sono riportati sulla targhetta del motore.

La pompa viene fornita normalmente senza cavo elettrico e interruttore; per il collegamento alla rete elettrica vedere lo schema contenuto all'interno della scatola morsettiera o sulla targhetta motore.

ATTENZIONE

Verificare il corretto senso di rotazione del motore prima di mettere in servizio la pompa per la prima volta o dopo aver ripristinato i collegamenti elettrici.

Il senso di rotazione corretto è quello indicato dalla freccia posta sulla pompa (vedi cap. 3.3). Il funzionamento della pompa con un senso di rotazione contrario a quello indicato, può danneggiare gravemente la stessa.

5 ISTRUZIONI D'USO

5.1 FUNZIONAMENTO

Controlli da effettuare prima dell'avviamento:

- La pompa viene fornita priva di olio lubrificante al suo interno; utilizzare l'olio a corredo oppure uno dei lubrificanti indicati sulla targhetta presente sulla pompa (vedi cap. 3.3) o, in alternativa, un lubrificante di altra marca ma con caratteristiche analoghe.
- Assicurarsi che lo scarico della pompa non sia ostruito da raccordi.

ATTENZIONE



Una quantità di olio superiore al necessario può provocare l'intasamento dei separatori olio e un danneggiamento della pompa o del motore elettrico.

Il funzionamento senza olio lubrificante provoca gravi danni alla pompa.

5.1.1 RIEMPIMENTO SERBATOIO DELL'OLIO



ATTENZIONE

Non riempite il serbatoio dell'olio oltre il livello massimo consentito.

- Svitare il tappo di carico olio;
- Versare l'olio nel serbatoio fino a quando il livello raggiunge la metà della spia;
- Richiudere il tappo di carico;
- Rimuovere eventuali gocciolamenti d'olio dalla pompa e/o dal pavimento.

5.1.2 AVVIAMENTO



PERICOLO

La pompa può raggiungere temperature elevate durante il funzionamento.

Dopo l'accensione, la pompa può funzionare ad un regime di rotazione inferiore a quello normale se la temperatura ambiente è inferiore a quella riportata nella tabella dei dati tecnici, se l'olio è contaminato, oppure se la tensione di alimentazione è inferiore a quella indicata sulla targhetta del motore. Se il regime di rotazione non raggiunge il valore nominale in pochi secondi dovrà intervenire il sistema di protezione elettrico installato a protezione della pompa (installazione prescritta nel paragrafo "Collegamento Elettrico").

ATTENZIONE



Nel caso di aspirazione di vapori di acqua è indispensabile, prima di iniziare il ciclo di lavoro, portare a temperatura di regime la pompa facendola funzionare per circa 30 min. con la bocca d'aspirazione chiusa ed isolata dall'impianto contenente vapori di acqua.

ATTENZIONE



Assicurarsi che la pompa lavori a valori di pressione consentiti, e comunque evitare che la pompa funzioni per lunghi periodi con la bocca di aspirazione completamente aperta.

PERICOLO



Il funzionamento a regime della pompa deve avvenire senza vibrazioni o rumori anomali. Nel caso siano presenti, fermare immediatamente la pompa, ricercare la causa ed eliminarla.

5.1.3 ARRESTO

La pompa deve essere fermata interrompendo l'alimentazione elettrica al motore.

In caso di spegnimento raccomandiamo di fare funzionare la pompa con l'aspirazione chiusa per circa 30 minuti. Questa operazione permette di smaltire l'eventuale presenza di condensa nella camera di aspirazione evitando l'ossidazione del rotore.

In caso di lunghi fermi macchina, svuotare completamente la pompa per evitare pericoli di gelo durante la stagione fredda o corrosioni dovute alla possibile alterazione chimica del liquido stagnante nella pompa stessa.

5.1.4 POMPAGGIO DI VAPORI D'ACQUA

Durante il funzionamento in presenza di vapori d'acqua la pompa aspira una miscela di aria e acqua che entra nella pompa stessa e quindi nel serbatoio dell'olio.

Il vapore d'acqua aspirato viene espulso dalla pompa per effetto del calore generato dalla stessa durante il suo funzionamento. Sui modelli LB.5, LC.12 e LC.20 è inserito un dispositivo zavorratore che rimane sempre inserito ed assicura l'immissione di un flusso di aria ambiente nella camera di pompaggio, favorendo l'espulsione del vapore d'acqua aspirato prima che condensi nell'olio di lubrificazione.

Per questi motivi, è indispensabile, prima di iniziare il ciclo di lavoro in cui sia presente vapore d'acqua nel flusso aspirato, portare la pompa alla temperatura di regime facendola funzionare per circa 30 minuti con la bocca di aspirazione chiusa ed isolata dall'impianto utilizzatore.

6 MANUTENZIONE

6.1 AVVERTENZE GENERALI

Per una buona manutenzione è importante:

- Verificare subito le cause di eventuali anomalie (rumorosità eccessiva, surriscaldamenti, etc.);
- Prestare particolare attenzione ai dispositivi di sicurezza;
- Servirsi di tutta la documentazione fornita dal costruttore (manuali d'uso, schemi elettrici, etc.);
- Servirsi solo di attrezzi idonei al lavoro e di ricambi originali.

In caso di mancata comprensione delle informazioni o procedure contenute nel presente capitolo, rivolgersi alla D.V.P. Vacuum Technology s.p.a. per chiarimenti prima di procedere.



PERICOLO

Non eseguire nessun tipo di intervento, modifica e/o riparazione di qualsiasi genere, all'infuori di quelle indicate in questo manuale.



Solamente il personale tecnico addestrato o autorizzato possiede la necessaria esperienza per eseguire con la tecnica opportuna qualsiasi intervento.



PERICOLO

Tutte le operazioni di manutenzione devono essere eseguite con la pompa scollegata dalle fonti di energia. Non operare sulla pompa fino a quando questa non ha raggiunto una temperatura non pericolosa per l'operatore.



PERICOLO

Qualora la manutenzione della pompa fosse eseguita in modo non conforme alle istruzioni fornite, con ricambi non originali o comunque in modo tale da pregiudicarne l'integrità o modificarne le caratteristiche, la D.V.P. Vacuum Technology s.p.a. si riterrà sollevata da qualsiasi responsabilità inerente la sicurezza delle persone e il funzionamento difettoso della pompa.

6.2 TABELLA DEGLI INTERVENTI

La seguente tabella mostra tutte le operazioni periodiche necessarie per mantenere in perfetta efficienza la pompa.

TIPO DI OPERAZIONE	FREQUENZA	QUALIFICA OPERATORE
Controllo livello olio	24 h	
Sostituzione olio	500 h	
Pulizia protezione ventola motore e pulizia generale della pompa	1000 h	
Sostituzione filtro depuratore	2000 h	
Sostituzione palette	10000 h	

Manutenzioni più frequenti possono rendersi necessarie in base al tipo di utilizzo (alte temperature dei gas aspirati, presenza di vapori condensabili nei gas aspirati, etc.).

6.2.1 CONTROLLO LIVELLO OLIO

Controllate che il livello dell'olio sia a metà della spia di livello, in caso contrario procedere secondo le istruzioni del paragrafo seguente.

Controllate lo stato dell'olio; se appare scuro o torbido è segno che è inquinato da sostanze aspirate e deve essere sostituito.

6.2.2 SOSTITUZIONE OLIO

Procedere alla sostituzione dell'olio come segue:

- mettere in funzione la pompa con bocca di aspirazione chiusa per circa 10 minuti in modo che l'olio fluidifichi;
- arrestare la pompa e scollegarla dalla rete di alimentazione;
- svitare il tappo di riempimento;
- procurarsi un recipiente con capienza sufficiente per contenere tutto l'olio e successivamente aprire il tappo di scarico olio;
- fare defluire completamente l'olio;
- chiudere il tappo di scarico e introdurre l'olio nuovo dal foro di riempimento fino a quando il livello raggiunge la metà della spia;
- chiudere il tappo di carico olio;

- Rimuovere eventuali gocciolamenti d'olio dalla pompa e/o dal pavimento.
- ripristinare il collegamento con la rete di alimentazione e verificare il corretto senso di rotazione della pompa (vedi cap. 3.3);
- avviare per alcuni minuti la pompa con l'aspirazione chiusa e ripristinare, se necessario, il livello dell'olio.



PERICOLO

Per eseguire tale operazione indossare adeguati dispositivi di protezione.



PERICOLO

Per la raccolta e lo smaltimento dell'olio usato o inquinato attenersi alle normative locali vigenti in materia.

6.2.3 PULIZIA PROTEZIONE VENTOLA E PULIZIA GENERALE

La pulizia della protezione ventola motore e della pompa è necessaria per rimuovere i depositi di polvere. Procedere utilizzando aria compressa e se necessario un panno asciutto. Non utilizzare liquidi o altre sostanze diverse da quelle indicate.



PERICOLO

Per eseguire tale operazione indossare adeguati dispositivi di protezione.

6.2.4 SOSTITUZIONE FILTRO DEPURATORE

La sostituzione del filtro depuratore allo scarico deve avvenire quando questo è intasato, danneggiato o in accordo a quanto indicato nella tabella del cap. 6.2.

Per la sostituzione utilizzare solo filtri depuratori originali, presenti nel kit filtro depuratore (vedi cap. 6.3). L'utilizzo di materiale non originale comporterà il danneggiamento della pompa.

Sintomi di filtro depuratore intasato o danneggiato solo l'elevata fumosità della pompa, l'elevata rumorosità o l'elevato consumo del motore elettrico (vedi cap. 9 punti C, E).

Si può determinare lo stato di intasamento del filtro depuratore misurando il ΔP generato dal filtro stesso a pompa calda. Nelle pompe dotate di porta per misurazione ΔP si può misurare il valore attraverso un manometro o l'accessorio SIF.2 collegato a suddetta porta. Nelle pompe sprovviste di tale porta è possibile collegare un manometro o l'accessorio SIF.2 al posto del tappo di carico olio.

A pompa in funzione, con olio caldo, il filtro risulta essere intasato se il valore del ΔP misurato con bocca di aspirazione della pompa completamente aperta è superiore a 0.7 bar rel. (sul livello del mare); se ciò accade, occorre sostituire il filtro.

6.2.5 SOSTITUZIONE DELLE PALETTE

Le istruzioni per la sostituzione delle palette sono disponibili a richiesta.

6.3 RICAMBI

Per la sostituzione delle parti della pompa si raccomanda l'utilizzo di **Ricambi Originali**.

Per l'acquisto di ricambi citate sempre il modello ed il numero di matricola della pompa (troverete questi dati sulla targhetta di identificazione) nonché il codice del ricambio.

DESCRIZIONE	LC.2	LC.4	LB.5	LB.6	LB.8	LC.12	LC.20
Kit filtro depuratore	K9601069	K9601070	K9601062	K9601058	K9601055	K9601064	K9601066
Kit manutenzione	K9601069/1	K9601070/1	K9601062/1	K9601058/1	K9601055/1	K9601064/1	K9601066/1
Olio 0,25 dm ³	8811025 (BV32) 8831025 (SW40)		8812025 (BV68) 8832025 (SW60)		8811025 (BV32) 8831025 (SW40)		
Olio 0,5 dm ³	8811050 (BV32) 8831050 (SW40)		8812050 (BV68) 8832050 (SW60)		8811050 (BV32) 8831050 (SW40)		
Olio 1 dm ³	8811100 (BV32) 8831100 (SW40)		8812100 (BV68) 8832100 (SW60)		8811100 (BV32) 8831100 (SW40)		
Spia livello olio	1105005		1105004	1105009		1105004	
Valvola di ritegno	Di serie						

D.V.P. Vacuum Technology s.p.a. declina ogni responsabilità riguardo eventuali peggioramenti delle prestazioni della pompa o per danni procurati alla stessa dovuti all'uso di pezzi di ricambio non originali.

7 RITORNO DEL PRODOTTO

Il prodotto non può essere reso senza precedenti accordi col fornitore, il quale comunicherà il numero di autorizzazione che dovrà accompagnare il materiale reso e dovrà essere debitamente compilata in ogni sua parte.

8 DISMISSIONE

La demolizione della pompa produzione vuoto deve essere effettuata da tecnici autorizzati.

Le parti metalliche possono essere smaltite come rottami ferrosi.

In ogni modo, tutti i materiali derivati dalla demolizione devono essere smaltiti in accordo alle normative vigenti del paese in cui la pompa verrà demolita.

PERICOLO



Durante le operazioni di smaltimento sussistono rischi di taglio, proiezione di schegge, impigliamento, contatti con parti mobili, contatti con prodotti chimici.

Gli operatori addetti dovranno utilizzare gli appropriati dispositivi di protezione individuale.

9 RICERCA GUASTI

INCONVENIENTI	CAUSE	RIMEDI
(A) La pompa non parte	Mancanza di tensione	Provvedere all'alimentazione elettrica
	Interruttore termico scattato	Verificare le cause che lo hanno generato e attivare l'interruttore
	Temperatura ambiente troppo bassa	Portare la temperatura ambiente entro l'intervallo consentito
	Avvolgimento motore rotto	Rivolgersi al servizio assistenza
(B) La pompa non raggiunge il vuoto dichiarato	Olio insufficiente nel serbatoio	Aggiungere olio
	Olio contaminato	Sostituire olio
	Scarico ostruito	Controllare i raccordi allo scarico
(C) La pompa è rumorosa	Filtro depuratore deteriorato	Sostituire filtro depuratore
	Cuscinetti danneggiati	Rivolgersi al servizio assistenza
	Palette deteriorate	Rivolgersi al servizio assistenza
(D) Temperatura della pompa elevata	Olio non adatto	Sostituire l'olio
	Insufficiente ventilazione ambientale	Installare un ventilatore ausiliario
	Ventola motore rotta	Rivolgersi al servizio assistenza
	Alimentazione motore non corretta	Controllare la tensione di alimentazione
	Scarico ostruito	Controllare i raccordi allo scarico
(E) Alto consumo di olio	Pressione di lavoro elevata (prossime alla pressione atmosferica)	Tenere controllato il livello dell'olio
	Temperatura della pompa elevata	Vedi punto "D"
	Filtro depuratore deteriorato	Sostituire filtro depuratore
(F) La pompa non rimane in vuoto dopo lo spegnimento	Valvola antiritorno deteriorata (ove installata)	Rivolgersi al servizio assistenza
(G) Perdite di olio dalla pompa	Viti serbatoio o tappi non serrati	Serrate le viti o i tappi
	Guarnizione serbatoio danneggiata	Rivolgersi al servizio assistenza
	Spia di livello non serrata	Serrate la spia di livello

CONDIZIONI GENERALI DI VENDITA

D.V.P. Vacuum Technology s.p.a. fornisce prodotti rivolgendosi esclusivamente ad una clientela professionale, esclusi, quindi, i consumatori.

TERMINI DI GARANZIA DEI PRODOTTI

D.V.P. Vacuum Technology s.p.a. garantisce che il prodotto è esente da difetti di materiale e di fabbricazione per un periodo di 24 mesi di uso normale dalla data di spedizione. Ovvero un periodo di 6 mesi di uso normale per prodotti sottoposti a riparazione non in garanzia.

Per uso normale si intende un ciclo di funzionamento di 8 ore al giorno per massimo 5000 ore di funzionamento nei 24 mesi coperti dalla garanzia.

Per garanzia si intende la sostituzione o riparazione gratuita presso la propria rete di assistenza delle parti componenti il prodotto che risultino difettose all'origine per vizi di fabbricazione.

In caso di riparazione, D.V.P. Vacuum Technology s.p.a. garantisce, esclusivamente al proprio committente, i pezzi di ricambio identici per 24 mesi dalla data di spedizione; superato tale periodo i pezzi potrebbero non essere più reperibili sul mercato, pertanto le riparazioni, anche se in garanzia, potranno richiedere il pagamento di una differenza tra il prodotto acquistato e quello installato durante la riparazione. Tale prezzo sarà indicato al cliente prima di procedere alla riparazione per sua visione ed accettazione.

D.V.P. Vacuum Technology s.p.a. farà quanto ragionevolmente in suo potere per rispettare i tempi di assistenza e risposta *standard* (20 gg lavorativi), che potranno variare a seconda della lontananza e dall'accessibilità del luogo ove è ubicato il Prodotto e della disponibilità dei componenti.

D.V.P. Vacuum Technology s.p.a. non sarà responsabile per perdite dirette o indirette causate dal mancato rispetto da parte di D.V.P. Vacuum Technology s.p.a. dei tempi di assistenza e non avrà alcuna responsabilità o obbligo contrattuale o civile per i difetti dei Prodotti ovvero per la mancata riparazione dei difetti in un periodo di tempo ragionevole.

In caso di guasto irreparabile il prodotto verrà sostituito. La sostituzione determinerà la prosecuzione della garanzia originaria sul nuovo prodotto, fino al momento della sua scadenza.

Non sono coperte dalla garanzia tutte le parti che dovessero risultare difettose a causa di negligenza e/o trascuratezza nell'uso (mancata osservazione delle istruzioni per il funzionamento dell'apparecchio, mancanza di manutenzione), di errata installazione e/o manutenzione, di manutenzione operata da personale non autorizzato, di danni da trasporto, ovvero di circostanze che, comunque, non possono farsi risalire a difetti di fabbricazione dell'apparecchio.

Non sono, altresì, coperte dalla garanzia tutte le componenti del prodotto che siano state modificate o riparate senza la preventiva autorizzazione scritta della D.V.P. Vacuum Technology s.p.a.

La garanzia è, inoltre, esclusa per difetti derivanti da uso improprio, normale usura, correnti galvaniche ed elettrostatiche, corrosioni chimiche, manomissione, sostituzione, eliminazione della targhetta di immatricolazione.

La garanzia non copre, in ogni caso, difetti generati da cause esterne, quali incidenti e caso fortuito.

D.V.P. Vacuum Technology s.p.a. declina ogni responsabilità, nei confronti di chiunque, relativa a qualsivoglia danno e, comunque, conseguenza, di qualsiasi tipo e/o ragione, che dovesse derivare dall'impiego del Prodotto, nonché per i vizi che lo stesso dovesse presentare.

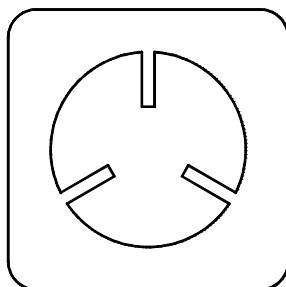
A titolo meramente esemplificativo, declina ogni responsabilità:

- per eventuali danni che possono, direttamente o indirettamente, derivare a persone, cose ed animali, in conseguenza della mancata osservanza di tutte le prescrizioni indicate nell'apposito libretto di uso e manutenzione, specialmente le avvertenze in tema di installazione, uso e manutenzione dell'apparecchio;
- per eventuali danni e/o perdite causati da difetti o deficienze di prodotti riparati dalla D.V.P. Vacuum Technology s.p.a.;
- per eventuali danni indiretti o consequenziali quali, a mero titolo esemplificativo, perdita di affari, di utili, stipendi, compensi, etc.;
- perdite che avrebbero potuto essere evitate dal cliente seguendo i consigli ed istruzioni della D.V.P. Vacuum Technology s.p.a..

La parte committente rinuncia, in ogni caso, alla rivendicazione di qualsivoglia diritto e/o pretesa nonché a sollevare qualsivoglia eccezione e a promuovere qualsivoglia azione, inerenti l'impiego del Prodotto.

La garanzia non è estesa alle parti di consumo ovvero a difetti derivanti da: cartucce filtranti, palette, membrane e anelli di tenuta, nonché a prodotti di terzi che vadano a comporre il prodotto finale.

Le spese di trasporto, di rimozione e successiva reinstallazione del prodotto riparato o sostituito si intendono, comunque, interamente a carico del cliente.



D.V.P. Vacuum Technology s.p.a.
Via Rubizzano, 627
40018 San Pietro in Casale (BO) – Italy
Ph +3905118897101
Fx +3905118897170
www.dvp.it

Cod. 8702036 – 12/04/2016 – R.7 – (IT)